



# Drumroll

SPECIFICATION

**AyrKing's DrumRoll** fully automates your current batch breading — streamlining the breading process and increasing yield with every use. Because DrumRoll integrates seamlessly on your AyrKing single sifter table, there's no need to rearrange kitchen equipment or add another worktable when space is at a premium. Simply transfer chicken from the dip basket onto DrumRoll's loading chute. The tumbling action consistently coats the chicken with breading, then ejects the breaded chicken down the unloading ramp to a feathering basket. The DrumRoll **eliminates the need for breaded product to be handled piece-by-piece**, thus reducing variables like personnel changes and excessive hand breading for a more consistent result.



## ADVANTAGES

- ◆ Uses 13% less breading and 5% less oil than hand breading
- ◆ Improves consistency by 32%, ensuring perfectly prepared chicken from shift to shift
- ◆ Accelerates production time by 25% to free up labor for other critical tasks
- ◆ Simplifies operations by eliminating the need for piece-by-piece handling
- ◆ Rests on top of the AyrKing single sifter table, saving valuable kitchen space
- ◆ Integrated sifting is fast and easy, emptying directly into the sifter lug
- ◆ Designed for easy cleaning in any standard sink, with only eight pieces
- ◆ Speeds up onboarding and cross-team training
- ◆ Lessens physical demand, helping operators attract and retain high-quality team members

## OPTIONAL ACCESSORIES

- DR124** Dip pot ring
- B123** Dip pot
- B122** Dip basket

## MODELS

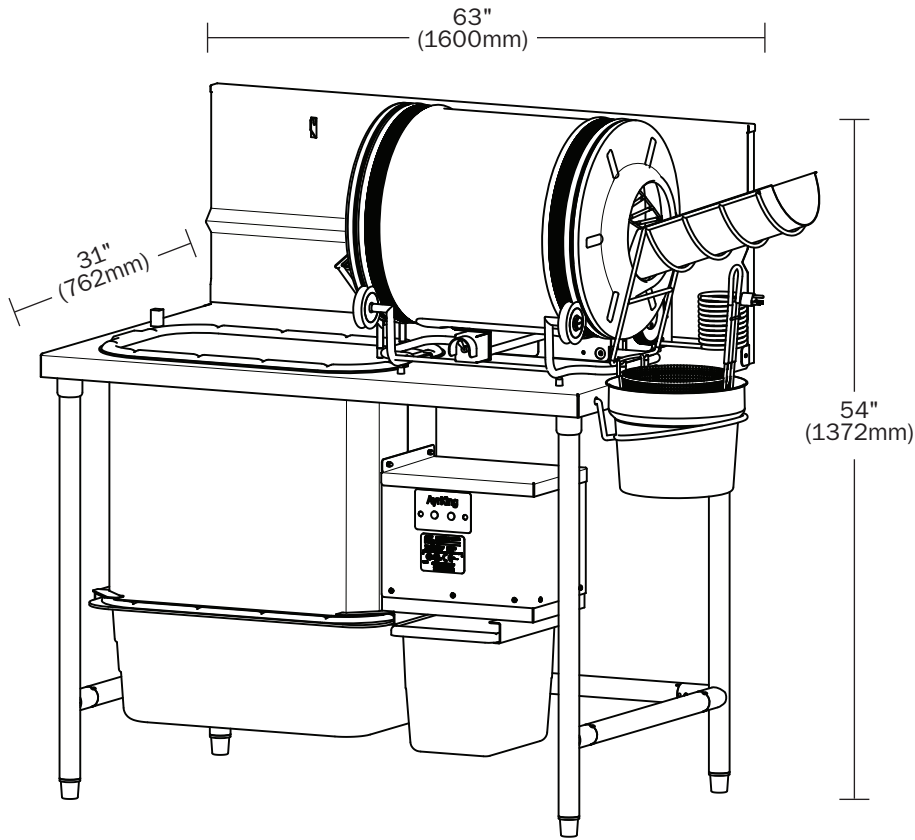
- DR-LF-120T**  
DrumRoll left hand flow, 115V (shown)
- DR-RF-120T**  
DrumRoll right hand flow, 115V (not shown)
- DR-LF-240T**  
DrumRoll left hand flow, 230V (not shown)
- DR-RF-240T**  
DrumRoll right hand flow, 230V (not shown)

**MODELS**

**CRATED MEASUREMENTS**

**UNCRATED**

	<b>LENGTH</b>	<b>WIDTH</b>	<b>HEIGHT</b>	<b>WEIGHT</b>	<b>WEIGHT</b>
<b>ALL MODELS</b>	28" (710mm)	24.5" (620mm)	32" (810mm)	97 lb (44kg)	66 lb (30kg)



**ELECTRICAL**

**115V**, 50/60HZ, 1 phase, 1.6 AMP, 1/8 HP  
**230V**, 50/60HZ, 1 phase, 0.8 AMP, 1/8 HP

**WARRANTY**

One Year Parts  
Ninety Days Labor  
No Travel Time



2013 Cobalt Drive  
Louisville, KY 40299-2417  
502.266.6270 | [ayrking.com](http://ayrking.com)