

# BVMS<sup>®</sup>



**FBM UL**

OPERATOR'S MANUAL  
CARNET D'INSTRUCTIONS  
MANUAL DE INSTRUCCIONES



**ENGLISH** 4

---

**FRANCAIS** 11

---

**ESPAÑOL** 18

---

**1 TECHNICAL CHARACTERISTICS**

		FBM1P	FBM2	FBM3
Transparent removable bowls	n	1	2	3
Capacity of each bowl, approx.	l	10	10	10
<b>Dimensions:</b>				
width	cm	28	36	54
depth	cm	47	47	47
height	cm	69	69	69
Net weight, approx.	kg	25	39	53
Gross weight, approx.	kg	28	42	56
Adjustable thermostats	n	1	2	3
Hermetic compressor				
Air-cooled condenser				
Overload protector				
Noise level lower than 70 dB (A)				



**IMPORTANT**

Read electrical ratings written on the data plate of the individual units; the data plate is adhered on the dispensing side panel of the unit, just behind the drip tray (the right side drip tray in multiple bowl models). The serial number of the unit (preceded by the symbol #) is adhered inside the left switch box. Data plate specifications will always supersede the information in this manual.

The electric diagram of the dispenser is located in the inner part of the dispensing side panel. Specifications are subject to change without notice.

**2 INTRODUCTION**

Please read all sections of this manual thoroughly to familiarize yourself with all aspects of the unit. Like all mechanical products, this machine will require cleaning and maintenance. Besides, dispenser working can be compromised by operator's mistakes during disassembly and cleaning. It is strongly recommended that personnel responsible for the equipment's daily operations, disassembly, cleaning, sanitizing and assembly, go through these procedures in order to be properly trained and to make sure that no misunderstandings exist.

**3 INSTALLATION**

1 Remove the corrugate container and packing materials and keep them for possible future use.



**IMPORTANT**

When handling the machine never grasp it by the bowls or by the evaporator cylinders. The manufacturer refuses all responsibilities for possible damages which may occur through incorrect handling.

2 Inspect the uncrated unit for any possible damage. If damage is found, call the delivering carrier immediately to file a claim.

3 Install the unit on a counter top that will support the combined weight of dispenser and product **bearing in mind what is stated in the preceding point 1 IMPORTANT warning.**

4 A minimum of 15 cm (6") of free air space all around the unit should be allowed to guarantee adequate ventilation.

5 Ensure that the legs are screwed tightly into the base of the machine.

Replace the standard legs originally installed with the 100 mm (4") legs whenever they are provided with the unit.

6 Before plugging the unit in, check if the voltage is the same as that indicated on the data plate. Plug the unit into a grounded, protected single phase electrical supply according to the applicable electrical codes and the specifications of your machine. When the unit has no plug, install a proper grounded plug, in compliance with electrical codes in force in your area, suitable to at least 10 Amp 250 Volt (220-230 Volts 50-60 Hz areas) and 20 Amp 250 Volt (100-115 Volts 50-60 Hz areas) applications. Should you prefer to connect the unit directly to the mains, connect the supply cord to a 2-pole wall breaker, whose contact opening is at least 3 mm. Do not use extension cords.



**ATTENTION**

Failure to provide proper electrical ground according to applicable electrical codes could result in serious shock hazard.

7 Each drip tray has two diaphragm plugs: if a continuous drain is needed, perforate one of the drain plugs and connect it to a flexible drain line (see figure 1).

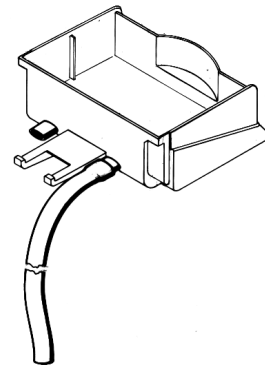


figure 1

8 The unit doesn't come presanitized from the factory. Before serving products, the dispenser must be disassembled, cleaned and sanitized according to this handbook instructions (chapter 5.3 CLEANING AND SANITIZING PROCEDURES).



**IMPORTANT**

Install the dispenser so that the plug is easily accessible.

**4 TO OPERATE SAFELY**

1 Do not operate the dispenser without reading this operator's manual.

2 Do not operate the dispenser unless it is properly grounded.

3 Do not use extension cords to connect the dispenser.

4 Do not operate the dispenser unless all panels are restrained with screws.

5 Do not obstruct air intake and discharge openings: 15 cm (6") minimum air space all around the dispenser.

6 Do not put objects or fingers in panels louvers and faucet

outlet.

**7 Do not** remove bowls, augers and panels for cleaning or routine maintenance unless the dispenser is disconnected from its power source.

## 5 OPERATING PROCEDURES

**1** Clean and sanitize the unit according to the instructions in this manual. See chapter 5.3 CLEANING AND SANITIZING PROCEDURES.

**2** Fill the bowls with product to the maximum level mark. Do not overfill.  
The exact quantity of product (expressed as liters and gallons) is shown by marks on the bowl.

**3** In case of products to be diluted with water, pour water into bowl first, then add correct quantity of product. In case of natural squashes, it is advisable to strain them, in order to prevent pulps from obstructing the faucet outlet.

**4** To obtain the best performance and result, use bases designed to be run in Granita freezers. Such bases have a sugar content of 34 degrees Baumé corresponding to 64 degrees Brix .  
For soft drinks the bases are to be diluted with more water, on a 1 plus 5/5.5 basis.  
In any case follow the syrup manufacturer's instructions for both Granita and soft drink recipes.  
If natural juices (e.g. lemon, orange) as well as sugarless products (e.g. coffee) are used, dissolve 150 - 200 grams of sugar per liter.



### IMPORTANT

Operate the dispenser with food products only.



### IMPORTANT

However Granita mix may be done, its Brix (sugar percent content) must be at least 13.

**5** Set the control switches as shown in chapter 5.1 DESCRIPTION OF CONTROLS.

**6** Always leave the dispenser on, as the refrigeration stops automatically when Granita reaches the proper thickness. The mixers will continue to turn.

## 5.1 DESCRIPTION OF CONTROLS

The dispenser is equipped with a power switch and a light switch. In addition each bowl is individually operated by a mixer/refrigeration switch. In fact it is possible to dispense both soft drinks and Granita.

When a bowl is in Soft Drink mode the beverage temperature is controlled by the corresponding thermostat.

When a bowl is in Granita mode the mix viscosity is controlled by the corresponding adjustment screw located in the rear wall of each container (for temperature and viscosity setting make reference to chapter 5.2 OPERATION HELPFUL HINTS).

All the switches are located on the faucet side of the dispenser

in switch panels protected by switch covers (see figure 2).

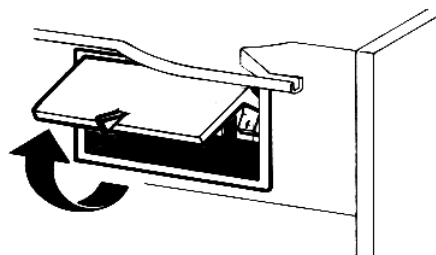


figure 2

With reference to figure 3 dispenser controls functions are as follows:

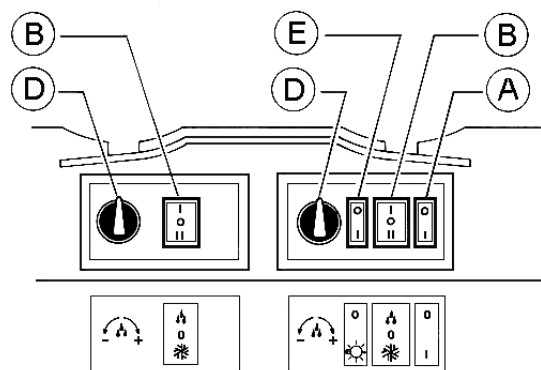


figure 3

### Power switch (A)

- 0 position : power is turned OFF to all functions.
- I position : power is turned ON to all functions and the other switches are enabled. The fan motor runs.

### Light switch (E)

- 0 position : all top cover lights are OFF.
- I position : all top cover lights are ON, provided that power switch (A) is set to I.

### Mixer/refrigeration switch (B)

- I position : mixer and refrigeration ON. SOFT DRINK mode.
- 0 position : OFF.
- II position : mixer and refrigeration ON. GRANITA mode.

### Thermostat (D)

- Turn clockwise : to decrease temperature
- Turn counterclockwise : to increase temperature

To operate the unit:

- 1** Set the power switch to I position.
- 2** Set the mixer/refrigeration switches as follows:
  - to the I position to get soft drink.
  - to the II position to get Granita.
- 3** Set the light switch to I position.

## 5.2 OPERATION HELPFUL HINTS

**1 Granita viscosity adjustment:** proper Granita viscosity is factory preset. To change the viscosity, if needed, use a standard screwdriver to turn the adjustment screw located in the rear wall of each container as follows (see figure 4):  
- towards right (clockwise) to obtain a thicker product (the indi-

cator F will go down in opening G).  
- towards left (counterclockwise) to obtain a thinner product (the indicator F will go up in opening G).

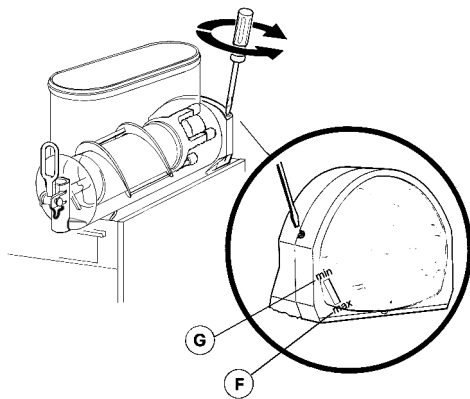


figure 4

**2 Beverage temperature adjustment:** proper beverage temperature is factory preset. To reset, turn the knob located in each switch box as follows:

- towards right (clockwise) to decrease temperature.
- towards left (counterclockwise) to increase temperature.

**Note: beverage temperature is controlled by the thermostat only when the mixer/refrigeration switch(es) are in I position, Soft Drink mode.**

**3** The length of time for freeze down of Granita is governed by many variables, such as ambient temperature, mix initial temperature, sugar content (Brix level) and viscosity setting.

**4** To shorten Granita recovery time and increase productivity, it is advisable to pre-chill the product to be used in the dispenser.

**5** To shorten Granita recovery time and increase productivity, the bowl should be refilled after the product level drops lower than half of the evaporator cylinder and at the start of each day.

**6** For good product conservation the dispenser must run overnight, at least in Soft Drink mode.

If this is not possible and product is left in the bowls overnight, the mixer/refrigeration switches must be set to the I position at least one hour before the unit is switched off. This eliminates any block of iced product forming overnight, which could result in damage to mixers or to their motor when the unit is switched back on. In any case, before the unit is restarted, make sure that no blocks of ice have been formed; if so, they are to be removed before the unit is switched on. Overnight operation in drink mode also eliminates possible ice accumulation from condensation all around the bowls.

**7** Mixers must not be turned off when frozen product is in the bowl: if not agitated, the product may freeze to a solid block of ice. If the mixers are turned back on in this situation, damage to the mixers and their motor may result. Therefore, mixers may be restarted only after product is melted.

**8** The dispenser is equipped with a magnetic coupling by which the gear motor (located outside the bowl) drives the mixers (inside the bowl).

The magnetic drive operates as an "intelligent clutch" able to automatically disconnect the mixers in case they are seized by ice or other causes.

This inconvenience can be soon noticed since an intermittent dull noise warns that mixers are still.

In this case it is necessary to unplug immediately the dispenser, empty the bowl and eliminate the cause of seizing.

**9** The dispenser must be able to emit heat.

In case it seems excessive, check that no heating source is close to the unit and air flow through the slotted panels is not obstructed by wall or boxes. Allow at least 15 cm (6") of free clearance all around the dispenser.

## 5.3 CLEANING AND SANITIZING PROCEDURES

**1** Cleaning and sanitizing of the dispenser are recommended to guarantee the conservation of the best product taste and the highest unit efficiency. This section is a procedural guideline only and is subject to the requirements of the local Health Authorities.

**2** Prior to the disassembly and cleaning, the machine must be emptied of product. To do this proceed as follows:

- set the power switch to I position
- set mixer/refrigeration switch(es) to I position (Soft Drink mode)
- place a pail under each faucet and drain all product from bowls
- set all control switches to the 0 position

### 5.3.1 DISASSEMBLY



#### ATTENTION

**Before any disassembly and/or cleaning procedure make sure that the dispenser is disconnected from its power source by unplugging it or switching off the 2-pole wall breaker.**

**1** Remove cover from the bowl.

**2** Remove the bowl by lifting its faucet side up and off the fastening hooks (see figure 5) and slide it out (see figure 6).

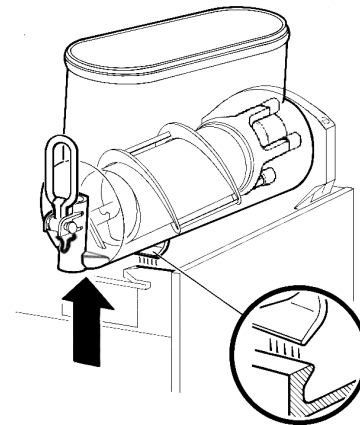


figure 5

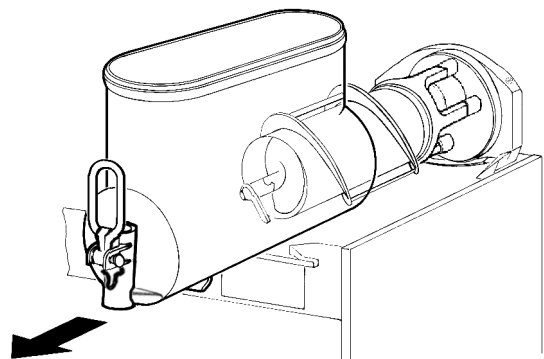


figure 6

**3** Slide the outer spiral out (see 3) and then the inside auger

(see figure 8).

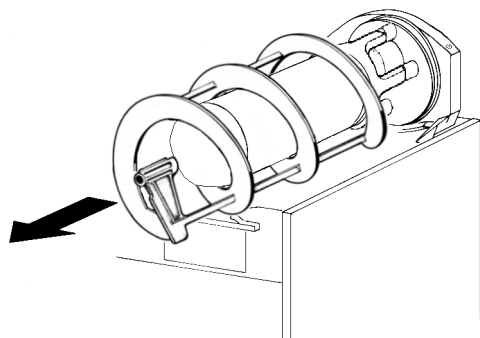


figure 7

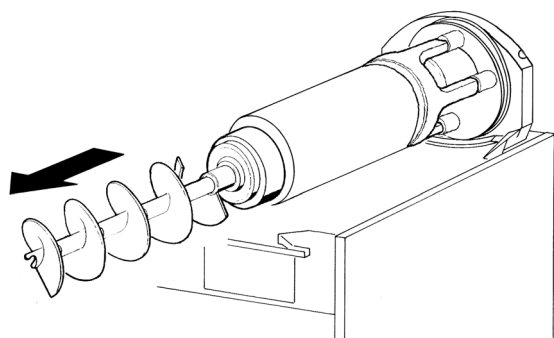


figure 8

4 Remove the bowl gasket from its seat (see figure 9).

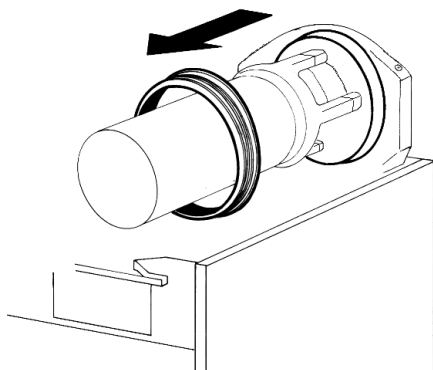


figure 9

5 Dismantle the faucet assembly (see figure 10).

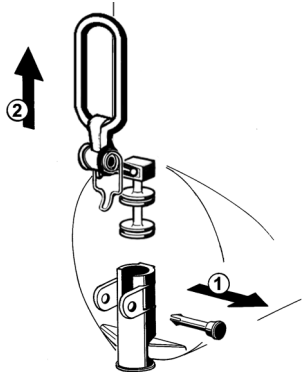


figure 10

6 Slide the drip tray out and empty it.

## 5.3.2 CLEANING



### IMPORTANT

Do not attempt to wash any machine components in a dishwasher.



### ATTENTION

Before any disassembly and/or cleaning procedure make sure that the dispenser is disconnected from its power source.

1 Prepare at least two gallons of a mild cleaning solution of warm (45-60 °C 120-140 °F) potable water and dishwashing detergent. Do not use abrasive detergent. Important: if present, follow label directions, as too strong a solution can cause parts damage, while too mild a solution will not provide adequate cleaning.



### IMPORTANT

In order to prevent any damages to the dispenser use only a detergent suitable with plastics parts.

2 Using a brush, suitable for the purpose, thoroughly clean all disassembled parts in the cleaning solution.



### ATTENTION

When cleaning the machine, do not allow excessive amounts of water around the electrically operated components of the unit. Electrical shock or damage to the machine may result.

3 Do not immerse the lighted top covers in liquid. Wash them apart with the cleaning solution. Carefully clean their undersides.

4 In the same manner clean the evaporator cylinder(s) using a soft bristle brush.

5 Rinse all cleaned parts with cool clean water.

## 5.3.3 SANITIZING

Sanitizing should be performed immediately prior to starting the machine. Do not allow the unit to sit for extended periods of time after sanitization.

1 Wash hands with a suitable antibacterial soap.

2 Prepare at least two gallons of a warm (45-60 °C 120-140 °F) sanitizing solution (100 PPM available chlorine concentration or 1 spoon of sodium hypochlorite diluted with two litres of water) according to your local Health Codes and manufacturer's specifications.

3 Place the parts in the sanitizing solution for five minutes.

4 Do not immerse the lighted top covers in liquid. Carefully wash their undersides with the sanitizing solution.

5 Place the sanitized parts on a clean dry surface to air dry.

6 Wipe clean all exterior surfaces of the unit. Do not use abrasive cleaner.

### 5.3.4 ASSEMBLY

- 1 Slide the drip tray into place.
- 2 Lubricate faucet piston, inside auger and outer spiral (see points A, B and C of figure 11) only with the grease supplied by the manufacturer or other **food grade approved** lubricant.

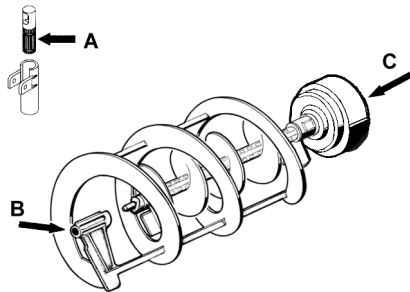


figure 11

- 3 Assemble the faucet by reversing the disassembly steps (see figure 10)
- 4 Fit bowl gasket around its seat.  
Note: the largest brim of gasket must face against the rear wall (see figure 12).

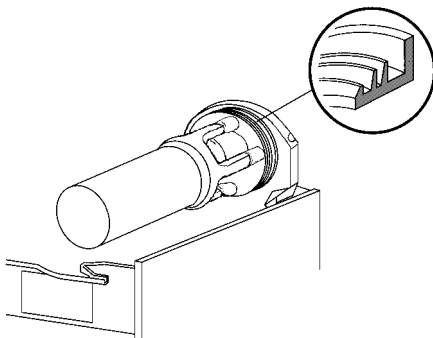


figure 12

- 5 Insert the auger into the evaporator taking care to accompany it to the end so as to prevent it from hitting against the rear wall (see figure 13).

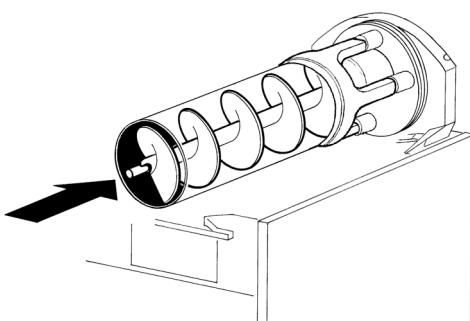


figure 13

- 6 Install the outer spiral. Slide it over the evaporator until its front notch engages with the exposed end of the auger shaft (see figure 14).

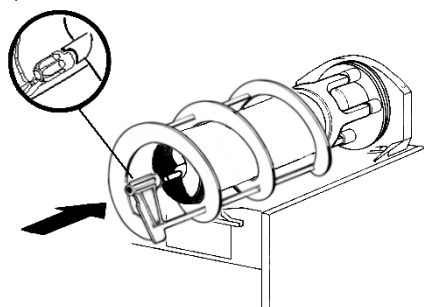


figure 14

- 7 Push the bowl towards the rear wall of the unit until it fits snugly around the gasket and its front fastening hooks are properly engaged (see figure 15).

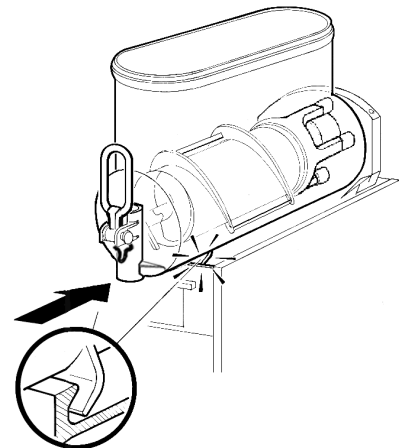


figure 15

- 8 Use fresh product to chase any remaining sanitizer from the bottom of the bowl(s). Drain this solution. Do not rinse out the machine.

### 5.4 IN-PLACE SANITIZATION

The In-Place Sanitization prior to starting the machine may be performed, if needed, only as further precaution, in addition to the Disassembled Parts Sanitization described before, but never in lieu of it.

- 1 Prepare two gallons of a warm (45-60°C, 120-140 °F) sanitizing solution (100 PPM chlorine residual) according to your local Health Codes and manufacturer's specifications.
- 2 Pour the solution into the bowl(s).
- 3 Using a brush suitable for the purpose, wipe the solution on all surfaces protruding above the solution-level and on the underside of the top cover(s).
- 4 Install the top cover(s) and operate the unit. Allow the solution to agitate for about two minutes. Drain the solution out of the bowl(s).
- 5 Use fresh product to chase any remaining sanitizer from the bottom of the bowl(s). Drain this solution. Do not rinse out the machine.

### 6 ROUTINE MAINTENANCE



#### ATTENTION

In case of damages, the power cord must be replaced by qualified personnel only in order to prevent any shock hazard.

- 1 **Daily:** inspect the machine for signs of product leaks past seals and gaskets. If proper assembly does not stop leaks around seals or gaskets, check for improper lubrication, worn or damaged parts. Replace parts as needed.



#### ATTENTION

Before any disassembly and/or cleaning procedure make sure that the dispenser is disconnected from its power source by unplugging it or switching off the 2-pole wall breaker.



**2 Monthly on FBM 1P, FBM 2 and FBM 3 models:** remove the dust from the condenser filter. A blocked filter will reduce performance and could cause compressor failure. Remove the only left panel (from faucet side) unscrewing the two plastic coated screws (see figure 16).

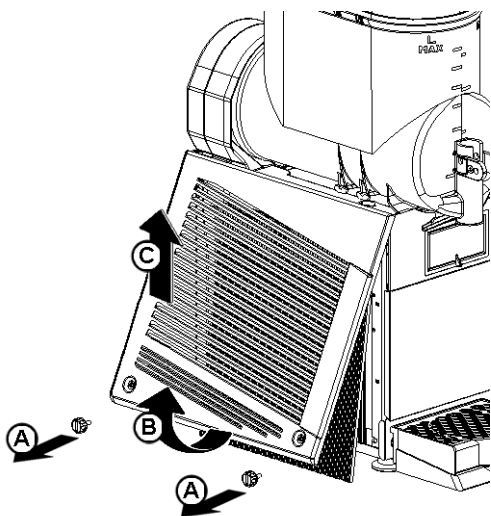


figure 16



### ATTENTION

Condenser fins are very sharp. Use extreme caution when cleaning.

**3** Replacement of lighted top cover bulb: remove the fixing screw placed in the upper part of the top cover, remove the lower part and replace the bulb (using a 24-28V 21W max bulb). Reassemble the top cover and replace the fixing screw.(see figure 17)

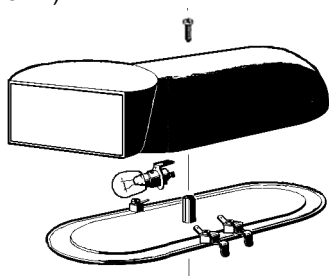


figure 17

## 6. 1 MAINTENANCE (TO BE CARRIED OUT BY QUALIFIED SERVICE PERSONNEL ONLY)

- 1 Annually:** remove the panels and clean the inside of the machine including the base, side panels, condenser, etc.
- 2 Annually:** Check if the auger bushings are worn out or ovalized. If they are, replace them with new ones.
- 3** Never remove the insulating jacket from around the suction tubing of the evaporator (the copper tubing located on the right side of gear motor). In case the insulating jacket is missing replace the entire parts with original spare parts from the supplier.
- 4** In order to prevent any damages to the dispenser, all plastics parts must be lubricated only with grease supplied by the manufacturer or with another lubricating product suitable for polycarbonate.

## 7 DEFROST TIMER

The Defrost Timer, located on the right side of the unit, automatically switches the dispenser from Granita mode to Soft Drink mode and the opposite. This means that during defrost periods frozen Granita will melt to thermostat setting temperature and once defrost period has expired, the product automatically freezes down again to Granita setting viscosity.

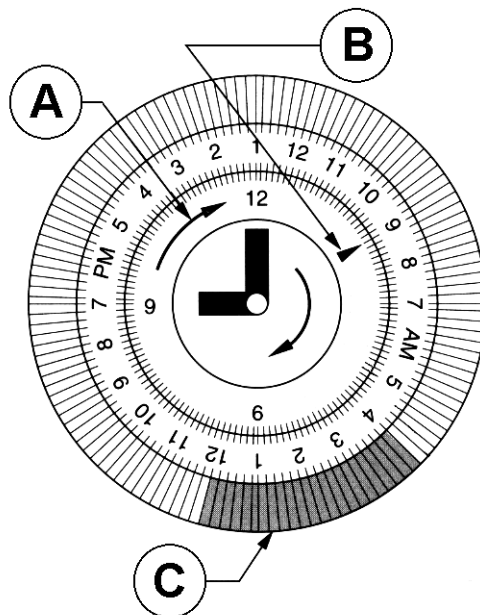


figure 18

To operate the defrost timer proceed as follows (see figure 18).

- 1** Set the time of the day by rotating the dial clockwise (arrow A). **Never rotate the timer counterclockwise** as this would damage the internal mechanism. Align the current time of day with the arrow B on the timer face. This is a 24 hour timer showing both A.M. and P.M.
  - 2** Program the defrost timer by pushing out on the tabs C that correspond to the hours desired to defrost. Each tab represents 15 minutes. A minimum of four to eight hours are required to defrost frozen beverage (depending on ambient conditions).
- Note:** when all the tabs are pushed in the defrost function is OFF (the machine operates as if it were not equipped with Defrost Timer).

## 1 CARACTERISTIQUES TECHNIQUES

		FBM1P	FBM2	FBM3
Réservoirs transparents démontables	n	1	2	3
Capacité chaque réservoir, environ	l	10	10	10
<b>Dimensions:</b>				
largeur	cm	28	36	54
profondeur	cm	47	47	47
hauteur	cm	69	69	69
Poids net, environ	kg	25	39	53
Poids brut, environ	kg	28	42	56
Thermostats réglables	n	1	2	3
Motocompresseur hermétique				
Condenseur à ventilation mécanique				
Protège-moteur				
Niveau de bruit inférieur à 70 dB (A)				



### IMPORTANT

**Caractéristiques électriques: lire les données reportées sur la plaque de chacun des distributeurs; celle-ci est située dans la partie inférieure du panneau frontal, derrière le tiroir égouttoir de droite. Les numéros de matricule des appareils (précédés du symbole #) sont placés à l'intérieur de l'espace contenant les interrupteurs de gauche. Les données reportées sur la plaque sont toujours celles auxquelles il faut se référer.**

Le schéma électrique du distributeur est reporté sur la partie interne du panneau du côté robinet.

Nous nous réservons le droit d'apporter des modifications sans préavis.

## 2 INTRODUCTION

Il est nécessaire de lire attentivement ce carnet d'instructions afin de connaître toutes les caractéristiques du distributeur.

Comme tous les produits mécaniques, ce distributeur a besoin d'être nettoyé et entretenu. Son bon fonctionnement peut être compromis par d'éventuelles erreurs commises par l'opérateur pendant les phases de démontage et de nettoyage. Il est donc important que les procédures de démontage, lavage, désinfection et remontage, qui sont des opérations quotidiennes, soient connues sans possibilité d'erreur par tout le personnel chargé du distributeur.

## 3 INSTALLATION

1 Sortir le distributeur de son emballage et garder celui-ci

pour toute nécessité future.



### IMPORTANT

**Pendant les opérations de transport ou de soulèvement, le distributeur ne doit jamais être saisi par les réservoirs transparents ou par les cylindres évaporateurs. Le fabricant ne répond pas des dommages provoqués par ce genre de manoeuvre erronée.**

2 Contrôler que le distributeur n'ait pas été endommagé pendant le transport. Si c'est le cas, faire immédiatement une réclamation au transporteur.

3 Placer le distributeur sur un comptoir en mesure d'en supporter le poids, y compris à pleine charge, **en tenant compte de ce qui a été dit dans l'avertissement IMPORTANT du point 1 précédent.**

4 Laisser un espace libre d'au moins 15 cm autour du distributeur pour ne pas empêcher le passage du flux d'air de refroidissement.

5 Contrôler la stabilité de l'appareil en réglant éventuellement les pieds en hauteur. Si le distributeur est fourni avec une série de pieds hauts (environ 100 mm), cette dernière doit remplacer la série d'origine.

6 Avant de brancher le distributeur à l'électricité, contrôler que la tension de réseau est la même que celle indiquée sur la plaque. Brancher le distributeur à un réseau monophasé, en utilisant une prise avec mise à la terre conformément aux normes en vigueur. Si le distributeur est fourni sans fiche, brancher au câble une fiche conforme aux normes en vigueur dans votre Pays, avec broche ou contacts de terre et adaptée pour des courants d'au moins 10 A 250 V (pour les secteurs ayant des tensions de 220V-230V 50 Hz) et 20 A 250 V (pour les secteurs ayant des tensions de 100-115 V 50-60 Hz). Pour réaliser un branchement fixe au réseau, brancher le câble à un interrupteur mural de type bipolaire avec ouverture des contacts d'au moins 3 mm. Ne pas utiliser de rallonges pour brancher électriquement l'appareil.



### ATTENTION

**S'assurer que l'appareil soit correctement branché à la terre; en cas contraire, il y a des risques d'électrocution pour les personnes et d'endommagement pour le distributeur.**

7 Le tiroir égouttoir est équipé de deux raccords de drainage avec diaphragme. Si l'on désire que le vidage du tiroir s'effectue en continu, il faut percer le diaphragme (par exemple avec un tournevis) de l'un des deux raccords de drainage et le brancher à un tuyau d'évacuation (voir figure 1).

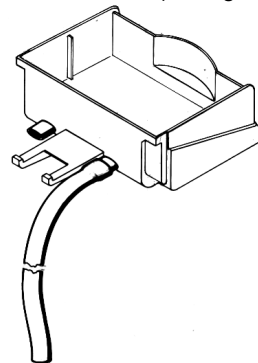


figure 1

8 Quand le distributeur sort de l'usine, il n'est ni prélavé, ni désinfecté. Avant de l'utiliser, il faut le démonter, le laver et le désinfecter en suivant les instructions fournies dans ce carnet au chapitre 5.3 NETTOYAGE.

## 4 POUR UN FONCTIONNEMENT CORRECT ET SANS DANGER

- 1 **Ne pas** utiliser le distributeur avant d'avoir lu ce carnet d'instructions.
- 2 **Ne pas** utiliser le distributeur s'il n'est pas branché correctement à la terre.
- 3 **Ne pas** utiliser de rallonges pour brancher électriquement le distributeur.
- 4 **Ne pas** mettre le distributeur en fonction si les panneaux ne sont pas à leur place et bloqués avec des vis.
- 5 **Ne pas** faire obstacle au flux d'air de refroidissement; laisser un espace libre d'au moins 15 cm autour du distributeur.
- 6 **Ne pas** introduire les doigts ou des objets dans les fentes des panneaux et dans l'ouverture du robinet.
- 7 **Ne pas** démonter le réservoir, ni enlever les mélangeurs ou les panneaux pour le nettoyage ou l'entretien sans s'être assuré que le distributeur est débranché de l'électricité.

## 5 MODE D'EMPLOI

- 1 Laver et désinfecter le distributeur avant de l'utiliser en suivant les instructions fournies dans ce carnet au chapitre 5.3 NETTOYAGE.
- 2 Remplir les réservoirs avec le produit choisi sans dépasser le niveau maximum indiqué sur les réservoirs. La quantité de produit dans le réservoir (exprimée en litres ou en gallons) est indiquée par les repères se trouvant sur le réservoir.
- 3 Si l'on désire distribuer des produits concentrés à diluer avec de l'eau, il faut verser l'eau dans les réservoirs et ajouter la quantité nécessaire de concentré en suivant les instructions du fabricant. Si l'on veut utiliser des jus de fruits pressés, il est conseillé de les filtrer afin d'éviter que les parties solides qu'ils contiennent puissent boucher le passage du robinet.
- 4 Pour obtenir les meilleurs résultats, il est conseillé d'utiliser comme produits de base des sirops expressément préparés pour "granita".  
Si l'on désire obtenir une boisson et non une granita, chaque litre de sirop doit être dilué dans environ 5-5,5 litres d'eau  
Si l'on utilise des produits naturels (par exemple des jus de citron ou d'orange) ou non sucrés (par exemple du café), faire dissoudre 150-200 grammes de sucre dans chaque litre de produit.



### IMPORTANT

Dans tous les cas, une fois le mélange effectué, son degré Brix (pourcentage de sucre contenu) doit être supérieur à 13.



### IMPORTANT

L'appareil ne doit pas être utilisé par des enfants ou par toute personne ayant un déficit mental ou sensoriel, ou qui n'a pas l'expérience et la connaissance requise, sauf si une surveillance ou une formation complémentaire sur l'utilisation de l'appareil est donnée par la personne responsable de sa sécurité.

Les enfants doivent être surveillés afin qu'ils ne puissent pas jouer avec l'appareil.

- 5 Agir sur les interrupteurs (voir chapitre 5.1 DESCRIPTION DES COMMANDES).
- 6 Le distributeur doit toujours fonctionner avec les couvercles montés afin d'éviter une éventuelle contamination du produit.
- 7 Le distributeur doit fonctionner sans interruption: la réfrigération de chaque cuve s'arrête automatiquement quand le produit est prêt. Les dispositifs de mélange continuent à fonctionner.

## 5.1 DESCRIPTION DES COMMANDES

Le distributeur est équipé d'un interrupteur général et d'un interrupteur pour l'éclairage. Chaque réservoir est équipé d'un interrupteur permettant de mettre en marche le dispositif de mélange et sélectionner le type de refroidissement du produit. Il est en effet possible d'obtenir soit des boissons froides soit des produits glacés tels que les granitas ou sorbets.

Quand la fonction boisson est sélectionnée, la température de la boisson est réglée par le thermostat correspondant. Quand la fonction "granita" est sélectionnée, la densité du produit est réglée par la vis de réglage prévue à cet effet, située sur chacune des parois postérieures du distributeur (pour le réglage de la température et de la densité, se référer au chapitre 5.2. SUGGESTIONS).

Tous les interrupteurs sont situés sur la partie frontale du distributeur (côté robinets) et sont protégés par un volet spécial (voir figure 2).

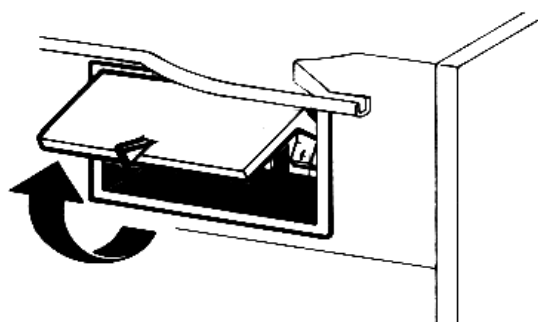


figure 2

Les fonctions des commandes du distributeur sont les suivantes:

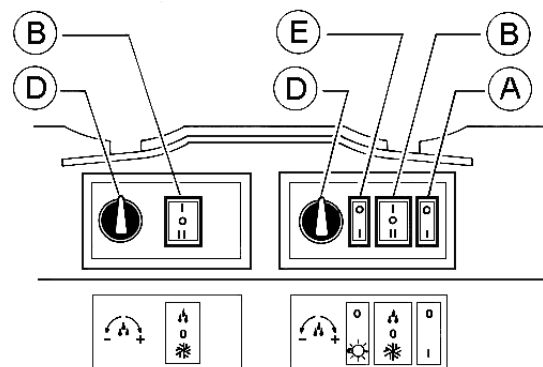


figure 3

### Interrupteur général (A)

- Position 0 : le distributeur est éteint.
- Position I : le distributeur peut fonctionner. Ventilateur en marche.

### Interrupteur d'éclairage (E)

- Position 0 : Les lampes des couvercles sont éteintes.
- Position I : Les lampes des couvercles sont allumées.

### Interrupteurs mélangeurs et réfrigération (B)

- Position I : Mélangeurs et réfrigération en marche. Position BOISSON.
- Position O : Mélangeurs et réfrigération éteints.
- Position II : mélangeurs et réfrigération en marche. Position "GRANITA".

### Thermostat (D)

- Rotation de gauche à droite : boisson plus froide.

Rotation de droite à gauche : boisson moins froide.

Pour le fonctionnement du distributeur:

- 1 Placer l'interrupteur général en position I.
- 2 Placer l'interrupteur général en position I.  
- en position I, si l'on désire refroidir le produit sans le glacer  
- en position I, si l'on désire refroidir le produit sans le glacer
- 3 Placer l'interrupteur d'éclairage en position "I" pour allumer les lumières.

## 5.2 SUGGESTIONS

**1 Réglage de la densité:** la densité optimale de la granita a été réglée en usine. Si l'on désire modifier cette densité, tourner avec un tournevis la vis de régulation densité située dans chacune des parois postérieures du distributeur (voir figure 4):

- vers la droite (sens des aiguilles d'une montre) pour obtenir une granita plus dense (le repère F dans le regard G se déplacera vers le bas);
- vers la gauche (sens inverse des aiguilles d'une montre) pour obtenir une granita moins dense (le repère F dans le regard G se déplacera vers le haut).

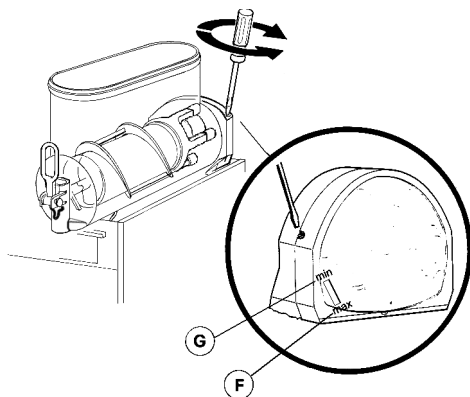


figure 4

**2 Réglage de la température:** la température optimale de la boisson (pour le fonctionnement du distributeur comme réfrigérateur de boissons au lieu de distributeur de granita) est réglée en usine. Si l'on désire modifier cette température, il faut tourner la poignée située dans chaque boîte porte-interrupteurs:

- vers la droite (sens des aiguilles d'une montre) pour obtenir une boisson plus froide;
- vers la gauche (sens inverse des aiguilles d'une montre) pour obtenir une boisson moins froide.

**Remarque: Le réglage de la température de la boisson ne produit un effet que quand l'interrupteur mélangeurs et réfrigération est en position Boisson.**

**3** Le temps nécessaire pour obtenir la réfrigération du produit varie en fonction de différents facteurs comme par exemple la température ambiante, la température initiale du produit, le sucre contenu (degré Brix) et le réglage de la densité.

**4** L'efficacité du distributeur peut être augmentée en versant dans les réservoirs du produit pré-raffroidi.

**5** Pour diminuer encore les temps de refroidissement et augmenter ainsi l'autonomie du distributeur, rajouter du produit dans les réservoirs quand le niveau est descendu à la moitié.

**6** Pour garantir une bonne conservation du produit, le distributeur doit fonctionner également pendant la nuit, au moins en position Boisson. Si cela n'est pas possible et les produits restent dans les réservoirs alors que le distributeur est éteint, il est conseillé de placer les interrupteurs mélangeurs et réfrigération en position I une heure avant d'éteindre l'appareil afin d'éviter la formation de blocs de glace ou de croûtes de glaces. Ceux-ci risqueraient en effet d'endommager les dispositifs mélangeurs. Si des blocs de glace devaient tout de même se former, ils devront toujours être enlevés avant que l'appareil ne soit remis en marche. Le fonctionnement nocturne en position Boisson élimine également le risque que de la glace se forme (à cause de la condensation de l'humidité atmosphérique) à l'extérieur des réservoirs.

**7** Ne jamais arrêter les mélangeurs quand il y a de la granita dans les réservoirs; si celui-ci n'est pas mélangé, il risque de former un unique bloc de glace. Si l'on fait repartir les mélangeurs dans ces conditions (sans attendre que la glace fonde), ils pourraient s'endommager.

**8** Le distributeur est équipé d'un joint magnétique pour la transmission du mouvement aux mélangeurs. Afin d'éviter que l'appareil ne soit endommagé en cas de blocage des mélangeurs à cause de blocs de glace ou autre à l'intérieur du réservoir, le joint magnétique interrompt automatiquement la transmission du mouvement.

Cette situation est reconnaissable car, en plus du blocage des mélangeurs, un bruit intermittent est émis par l'appareil. Il faut, dans ce cas, arrêter immédiatement le distributeur, vider le réservoir concerné et éliminer la cause du blocage.

**9** Chaque distributeur de ce genre doit émettre de la chaleur. Cependant, si cette émission semble excessive, il faut contrôler qu'aucune source de chaleur ne se trouve près du distributeur et, en particulier, près des panneaux munis de grilles. S'assurer également que le passage du flux d'air ne soit pas empêché par la proximité de murs, boîtes ou autres. Laisser au moins 15 cm d'espace libre autour du distributeur.

## 5.3 NETTOYAGE

**1** Le nettoyage et le lavage sont fondamentaux pour garantir la parfaite conservation du goût de la boisson et l'efficacité maximale de votre distributeur. Les procédures décrites ci-après doivent être considérées comme étant de caractère général et elles peuvent varier en fonction de la réglementation sanitaire en vigueur.

**2** Avant d'être démonté pour le lavage, le distributeur doit être vidé du produit. Procéder de la manière suivante:

- placer l'interrupteur général en position I
- placer les interrupteurs mélangeurs/réfrigération en position I
- positionner un récipient sous chaque robinet et vider les réservoirs
- placer tous les interrupteurs en position 0

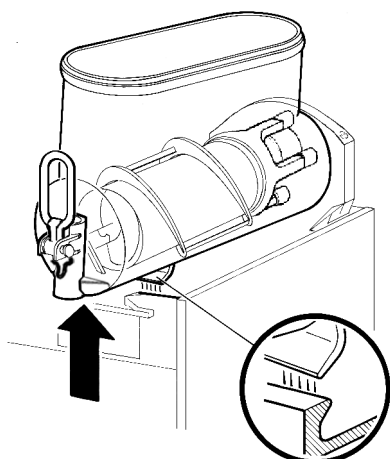
### 5.3.1 DEMONTAGE

Avant de procéder au démontage d'un composant, il faut toujours débrancher électriquement l'appareil en enlevant la fiche de la prise.

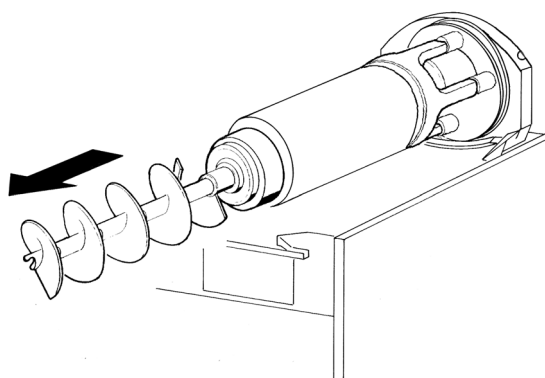
**1** Enlever le couvercle du réservoir.

**2** Démontez le réservoir en poussant légèrement sa partie inférieure (côté robinet) vers le haut pour en libérer les crochets inférieurs (voir figure 5) et en le faisant ensuite glisser par

l'avant (voir figure 6).

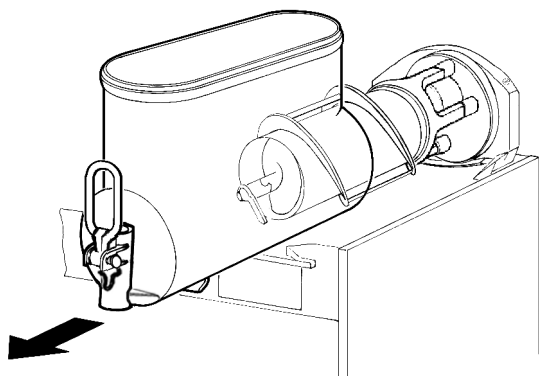


**figure 5**



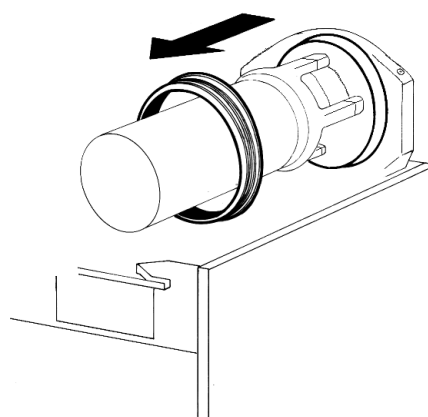
**figure 8**

4 Enlever le joint d'étanchéité du réservoir de son siège (voir figure 9).

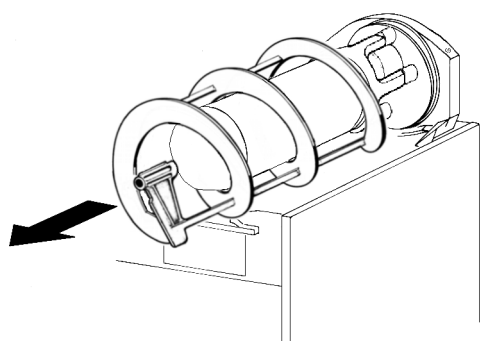


**figure 6**

3 Enlever de l'évaporateur la spirale extérieure (voir figure 7) puis l'hélice intérieure (voir figure 8).

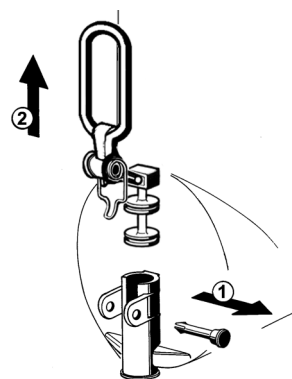


**figure 9**



**figure 7**

5 Démontez le robinet selon la séquence indiquée (voir figure 10).



**figure 10**

6 Enlever le tiroir égouttoir et le vider.

### 5.3.2 LAVAGE



#### IMPORTANT

Aucun composant de l'appareil ne peut être lavé dans la lave-vaisselle.



#### ATTENTION

Avant toute intervention de nettoyage, débrancher toujours électriquement le distributeur en retirant la fiche de la prise ou en éteignant l'interrupteur externe mural.

1 Préparer une bassine d'environ huit litres d'eau chaude (45-60°C) et de détergent spécifique en respectant soigneusement les indications fournies par le fabricant; une solution trop concentrée peut en effet endommager les pièces à laver tandis que trop diluée elle risque de ne pas les nettoyer suffisamment bien. Ne pas utiliser de détergents abrasifs.



#### IMPORTANT

Afin d'éviter d'endommager le distributeur utiliser uniquement un détergent compatible avec les pièces en plastique.

2 Utiliser une brosse adéquate et laver soigneusement avec la solution détergente toutes les pièces qui sont en contact avec la boisson.



#### ATTENTION

Pendant le lavage du distributeur, il ne faut pas utiliser une quantité excessive d'eau en proximité des composants électriques; cela pourrait en effet entraîner des risques d'électrocution et d'endommagement du distributeur.

3 Ne pas immerger dans la solution de lavage les couvercles avec éclairage mais les laver séparément. Faire attention au lavage de leur partie inférieure.

4 Rincer toutes les pièces lavées à l'eau courante.

### 5.3.3 DESINFECTION DU DISTRIBUTEUR DEMONTE

La désinfection doit être exécutée immédiatement avant de mettre le distributeur en fonction. Il faut éviter que celui-ci ne fonctionne pas, pour une longue période après avoir été désinfecté.

1 Avant de débiter les procédures décrites ci-après, se laver les mains avec un savon antibactérien.

2 Préparer dans une bassine huit litres de solution d'eau chaude (45-60°C) et de produit désinfectant, approuvé par les autorités de votre Pays, en respectant les indications du producteur. En l'absence d'un produit désinfectant spécifique, préparer une solution d'eau et d'hypochlorite de sodium (eau de javel) avec une proportion d'une cuillère tous les 2 litres d'eau.

3 Immerger toutes les pièces à désinfecter dans la solution pour la durée indiquée par le fabricant du produit.

4 Ne pas immerger les couvercles avec éclairage dans la solution. Laver soigneusement leur partie inférieure avec la

solution désinfectante.

5 Laisser sécher à l'air, sur une surface propre, les pièces désinfectées.

6 Essuyer les parties externes du distributeur sans utiliser de chiffons abrasifs.

### 5.3.4 REMONTAGE

1 Introduire le tiroir égouttoir à sa place.

2 Lubrifier le piston du robinet, le racloir intérieur et le racloir extérieur (aux points A, B et C indiqués en figure 11) en utilisant uniquement la graisse fournie par le fabricant ou d'autres graisses à usage alimentaire.

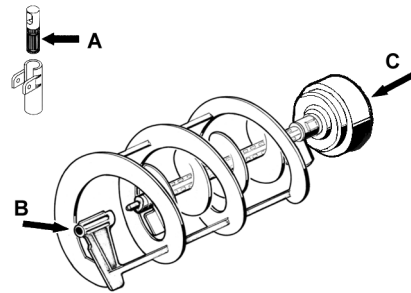


figure 11

3 Remonter le robinet sur le réservoir en suivant la séquence effectuée pour le démontage en sens inverse (voir figure 10).

4 Remonter le joint d'étanchéité du réservoir dans son siège. Remarque: Le bord ayant le diamètre le plus large doit être appuyé contre la paroi postérieure (voir figure 12).

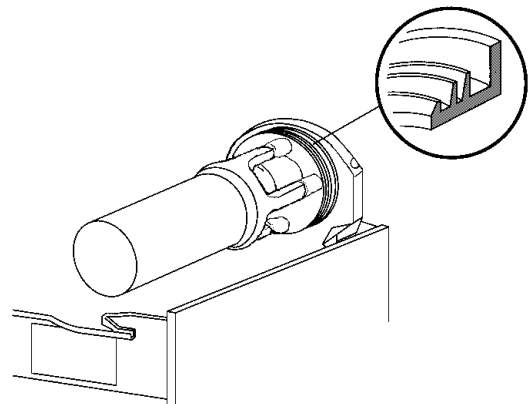


figure 12

5 Introduire l'hélice intérieure dans l'évaporateur en veillant à l'accompagner jusqu'au fond mais en évitant qu'elle heurte la paroi postérieure (voir figure 13).

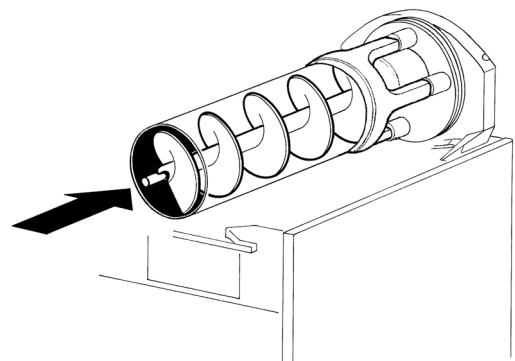


figure 13

6 Enfiler la spirale extérieure sur l'évaporateur en accouplant son extrémité antérieure à l'arbre de l'hélice intérieure et en faisant coïncider ses dents avec les dents d'entraînement (voir

figure 14).

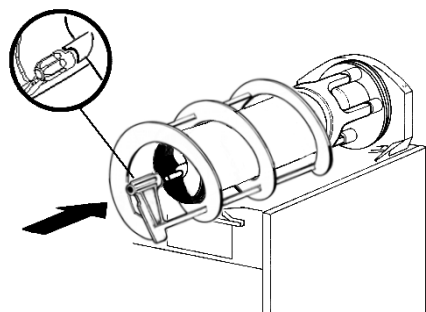


figure 14

7 Monter le réservoir et le pousser vers la paroi postérieure, en s'assurant qu'il s'adapte parfaitement au joint et que, en même temps, ses crochets inférieurs soient engagés dans les saillies prévues à cet effet sur le plan égouttoir (voir figure 15).

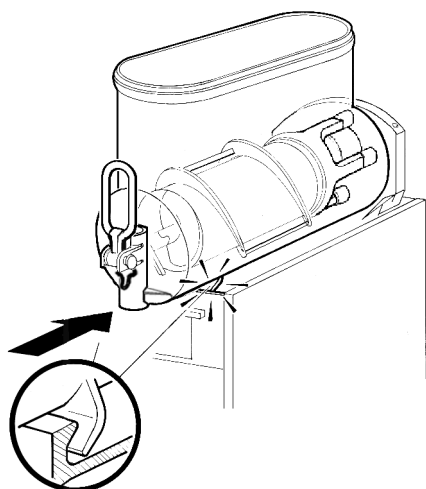


figure 15

8 Rincer avec de l'eau fraîche de manière à éliminer tout résidu de solution désinfectante du fond des réservoirs. Essuyer l'intérieur des réservoirs avec une serviette en papier jetable.

## 5. 4 DESINFECTION DU DISTRIBUTEUR MONTE

La désinfection de l'appareil monté, avant sa mise en fonction, peut être exécutée, si nécessaire, uniquement comme précaution supplémentaire, en plus de la désinfection de l'appareil démonté décrite précédemment. Elle ne peut jamais la remplacer.

1 Préparer dans une bassine une solution d'eau et de produit désinfectant, approuvé par les autorités de votre Pays, en respectant les indications du producteur. En l'absence d'un produit désinfectant spécifique, préparer une solution d'eau et d'hypochlorite de sodium (eau de javel) avec une proportion d'une cuillère tous les 2 litres d'eau.

2 Verser la solution dans les réservoirs.

3 A l'aide d'une brosse adéquate, frotter la solution sur toutes les parties au-dessus du niveau de la solution et sur la partie inférieure du couvercle.

4 Installer le couvercle et faire fonctionner le distributeur de manière à permettre à la solution d'être agitée pendant environ 2 minutes.

5 Vider la solution désinfectante des réservoirs par les robinets.

6 Rincer avec de l'eau fraîche de manière à enlever tout résidu de solution désinfectante du fond des réservoirs. Essuyer l'intérieur des réservoirs avec une serviette en papier jetable.

7 Ne pas procéder à d'autres opérations de rinçage.

## 6 ENTRETIEN



### ATTENTION

Si le câble est endommagé, il doit être remplacé par le fabricant ou par son service technique ou de toute façon par du personnel qualifié pour éviter tout risque.

1 **Quotidiennement:** contrôler le distributeur et vérifier qu'il n'y a pas de fuites de produit au niveau des joints. En cas de fuites, contrôler avant tout que le distributeur est monté correctement, puis vérifier que les joints n'ont pas besoin d'être lubrifiés et enfin qu'ils ne sont pas défectueux ou usés. Si c'est le cas, les remplacer par des pièces de rechange originales du fabricant.



### ATTENTION

Avant toute intervention de nettoyage, débrancher toujours électriquement le distributeur en retirant la fiche de la prise.

2 **Mensuellement sur le modèles FBM 1P, FBM 2 et FBM 3:** éliminer la poussière qui s'accumule sur le filtre du condenseur. Un filtre obstrué réduira la performance de la machine et pourra endommager le compresseur. Démonter ensuite uniquement le panneau gauche (du côté robinet) en dévissant à la main les vis de fixation recouvertes de plastique. (voir figure 16)

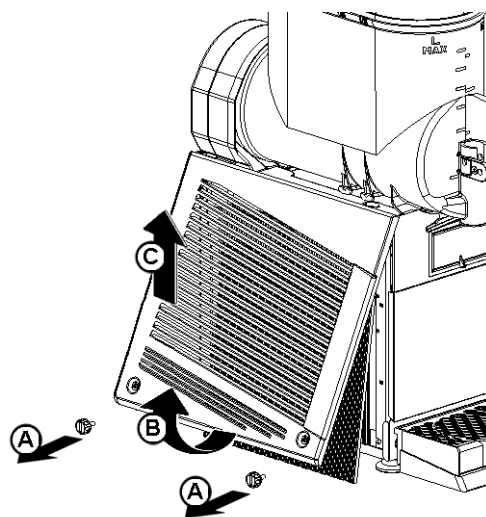


figure 16



### ATTENTION

Faire attention aux ailettes du condenseur car elles sont affilées.

3 **substitution de l'ampoule du couvercle lumineux:** enlever la vis placée dans la partie supérieure du couvercle, sortir la partie inférieure et remplacer l'ampoule (utiliser une ampoule de 24-28v 21w max). remonter le couvercle et le fermer avec la

vis (voir figure 19).

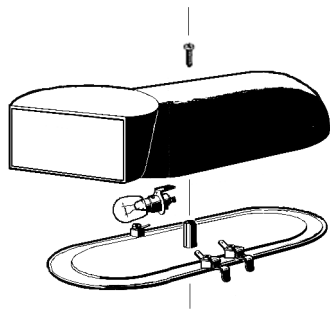


figure 17

## **6.1 ENTRETIEN (A EFFECTUER UNIQUEMENT PAR LE SERVICE D'ASSISTANCE)**

---

**1** Tous les ans: Il est conseillé d'enlever tous les panneaux et de nettoyer l'intérieur y compris la base et la partie interne des panneaux.

**2** Tous les ans: Contrôler si les douilles sur lesquelles les racloirs tournent sont détériorés, ou ovalisés . Dans ce cas-ci, il faut les remplacer.

**3** Ne jamais enlever le matériau anticondensation placé autour du tuyau de sortie de l'évaporateur (le tuyau en cuivre placé à droite du motoréducteur). Si ce matériau manque ou est perdu, il faut le remplacer avec des pièces de rechange originales du fabricant.

**4** Afin d'éviter d'endommager le distributeur, les pièces en plastique doivent être lubrifiées uniquement avec de la graisse fournie par le fabricant ou avec d'autres graisses compatibles avec le polycarbonate.



## 1 CARACTERISTICAS TECNICAS

		FBM1P	FBM2	FBM3
Contenedores transparentes desmontables	n	1	2	3
Capacidad de cada contenedor, aproximada	l	10	10	10
<b>Dimensiones:</b>				
ancho	cm	18	36	54
largo	cm	47	47	47
alto	cm	69	69	69
Peso neto, aproximado	kg	25	39	53
Peso bruto, aproximado	kg	28	42	56
Termostatos regulables	n	1	2	3
Motocompresor hermético				
Condensador a ventilación forzada				
Guardamotor				
Nivel de ruido inferior a 70dB (A)				



### IMPORTANTE

**Características eléctricas: leer los datos detallados en la placa del distribuidor; ésta se encuentra en la parte inferior del panel frontal, detrás del cajón recoge-gotas de la derecha. Los números de matrícula de los aparatos (precedidos por el símbolo#) están colocados dentro del alojamiento portainterruptores de izquierda. Los datos detallados sobre la placa son aquellos a los que se debe siempre hacer referencia.**

El diagrama eléctrico del distribuidor se encuentra dentro del panel lado grifo.

Se reserva el derecho de efectuar modificaciones sin previo aviso.

## 2 INTRODUCCION

Les aconsejamos que lean atentamente este manual de instrucciones para conocer todas las características del distribuidor.

También este distribuidor, como todos los productos mecánicos, necesita de limpieza y cuidado. Se corre el riesgo de impedir su buen funcionamiento si se verificasen errores cometidos por el usuario durante la fase de desmontaje y limpieza. Por dicho motivo es importante que los procedimientos de desmontaje, lavado, higienización y limpieza, siendo operaciones cotidianas, sean conocidas sin posibilidad de error por todo el personal responsable del distribuidor.

## 3 INSTALACION

1 Quitar el distribuidor del embalaje: guardar este último por

si hubiera cualquier eventualidad.



### IMPORTANTE

**En la operación de transporte o levantamiento no se debe coger nunca el distribuidor por sus contenedores transparentes o por los cilindros evaporadores. El fabricante no responde de los daños acarreados por estas maniobras equivocadas.**

2 Controlar que el distribuidor no haya sufrido daños durante el transporte. De haberlos sufrido, reclamar inmediatamente al transportista.

3 Colocar el distribuidor en un mostrador en grado de sostener su peso incluso con la carga completa, **teniendo en cuenta cuanto indicado en IMPORTANTE, del punto 1.**

4 Dejar un espacio libre de por lo menos 15 cm alrededor del aparato para no impedir el flujo de aire de refrigeración.

5 Controlar la estabilidad del aparato, regulando la altura de los pies. En el caso en que el distribuidor esté provisto de una serie de piés altos (100 mm aproximadamente), ésta debe ser sustituida a la original.

6 Antes de enchufar el aparato con la toma de corriente controlar que la tensión de la red sea aquella indicada en la placa. Enchufar el distribuidor a una red monofásica, sirviéndose de una toma completa de tierra, según lo previsto por la normativa vigente. Si el distribuidor resulta desprovisto de enchufe, conectar al cable un enchufe que esté en conformidad con las normas vigentes de vuestro país, provisto de espiga o contactos de tierra y adecuado para corrientes de por lo menos 10A y tensión de 250V (para áreas con tensiones de 220V-230V, 50Hz-60Hz) y 20 A y tensión de 250V (para áreas con tensiones de 110V-115V 50-60Hz). En el supuesto de realizar una conexión fija a la red, conectar el cable a un interruptor de pared de tipo bipolar con apertura de contactos de 3 mm por lo menos. No utilizar cordones conectores para enchufar el aparato al suministro de corriente eléctrica.



### ATTENCION

**Cerciorarse que el aparato esté correctamente conectado a tierra; en caso contrario es posible causar shock eléctricos a las personas o dañar el distribuidor.**

7 El cajón recoge-gotas está provisto de dos uniones de desagüe con diafragma. En el caso en que se quiera vaciar de continuo el cajón, perforar el diafragma (por ejemplo empleando un destornillador) de uno de las dos uniones de desagüe y conectarlo a una tubo de desagüe (ver figura 1).

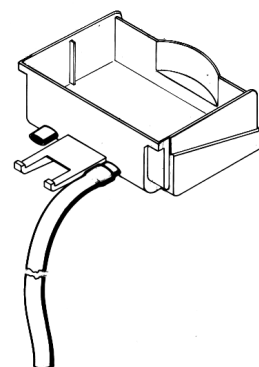


figura 1

8 El distribuidor no sale de fábrica prelavado e higienizado. Antes de utilizarlo debe ser desarmado, lavado e higienizado siguiendo cuanto se ha dicho en las presentes instrucciones del capítulo 5.3 LIMPIEZA.

## 4 PARA UN FUNCIONAMIENTO SEGURO

- 1 **No** utilizar el distribuidor antes de haber leído el presente manual de instrucciones.
- 2 **No** utilizar el distribuidor si no está correctamente conectado a tierra.
- 3 **No** utilizar cordones conectores para enchufar el distribuidor al suministro de corriente.
- 4 **No** poner en funcionamiento el distribuidor si los paneles no se encuentran en su lugar y fijados con los tornillos.
- 5 **No** impedir el flujo de aire de refrigeración, dejar un espacio libre de por lo menos 15 cm alrededor del distribuidor.
- 6 **No** introducir los dedos u objetos en las ranuras de los paneles y en la apertura del grifo.
- 7 **No** desmontar el contenedor, no quitar los mezcladores o paneles para limpieza o mantenimiento sin cerciorarse que el distribuidor esté desenchufado del suministro de corriente.

## 5 INSTRUCCIONES DE EMPLEO

- 1 Lavar e higienizar el distribuidor antes de utilizarlo siguiendo cuanto se ha dicho en las presentes instrucciones en el capítulo 5.3 LIMPIEZA.
- 2 Llenar los contenedores con el producto deseado hasta que alcance el nivel máximo indicado (no superar dicho nivel). La cantidad de producto presente en el contenedor (en litros o en galones) está indicada con señales específicas situadas en el contenedor mismo.
- 3 Si se quiere distribuir productos concentrados a diluirse con agua, verter en los contenedores el agua agregando a continuación la cantidad necesaria de producto concentrado, según las instrucciones del fabricante. Si se quieren emplear zumos naturales se recomienda filtrarlos para evitar que las partes sólidas puedan obstruir el pasaje del grifo.
- 4 Para obtener los mejores resultados emplear como productos base, jarabes expresamente preparados para Granizado  
Si se desea obtener una bebida en vez de un granizado, cada litro de jarabe debe ser diluido con 5-5,5 litros de agua (1 litro más respecto del necesario para el granizado). Es una buena regla seguir las instrucciones dictadas por el fabricante de jarabes.  
Si se usan productos naturales (por ejemplo zumo de limón o naranja) o bien bebidas no azucaradas (por ejemplo café), disolver 150-200 gramos de azúcar por cada litro de producto.



### IMPORTANTE

En todo caso, una vez obtenida la mezcla, su grado de Brix (porcentaje de azúcar) debe ser superior a 13.



### IMPORTANTE

Utilizar el distribuidor solamente con productos alimenticios.

- 5 Accionar los interruptores (ver capítulo 5.1 DESCRIPCIÓN DE LOS MANDOS).
- 6 El distribuidor debe funcionar siempre con las tapas montadas para prevenir una posible contaminación del producto.
- 7 El distribuidor debe funcionar ininterrumpidamente: el sistema de refrigeración de cada contenedor se parará automáticamente cuando el producto esté listo para ser distribuido. Los dispositivos mezcladores seguirán funcionando.

## 5.1 DESCRIPCIÓN DE LOS MANDOS

El distribuidor está provisto de un interruptor general y de un interruptor para la luz. Cada uno de los contenedores está provisto de un interruptor para arrancar la mezcla y para seleccionar el tipo de refrigeración del producto. En efecto, es posible obtener tanto bebidas frías como productos helados como granizados o sorbetes.

Cuando se selecciona la función bebida, la temperatura de dicha bebida está regulada por el correspondiente termostato. Cuando se selecciona la función granizado la densidad del producto se regula con el correspondiente tornillo de ajuste que se encuentra en cada una de las paredes posteriores del distribuidor (para regular la temperatura y la densidad ver el capítulo 5.2 SUGERENCIAS).

Todos los interruptores están colocados en la parte frontal del distribuidor (lado grifos) y están protegidos con una ventanilla apropiada (ver figura 2).

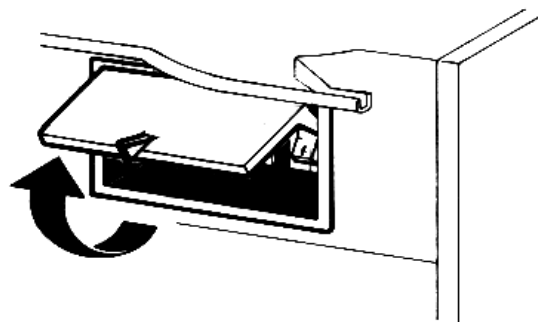


figura 2

Las funciones de los mandos del distribuidor se ilustran a continuación:

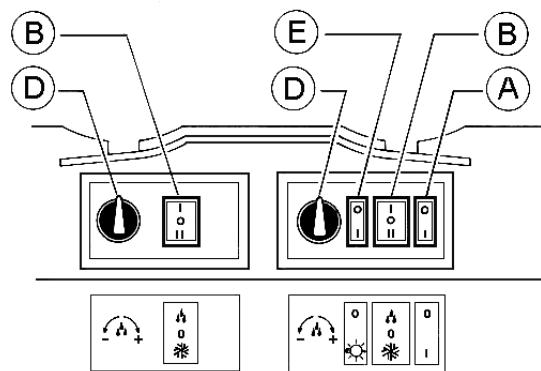


figura 3

### Interruptor general (A)

- Posición 0 : el distribuidor está apagado.
- Posición I : el distribuidor está habilitado para el funcionamiento. Ventilador en función.

### Interruptor luces (E)

- Posición 0 : luces tapa apagadas.
- Posición I : luces tapa encendidas.

### Interruptor mezcladores y refrigeración (B)

- Posición I : mezcladores y refrigeración en función. Posición BEBIDA.
- Posición 0 : mezcladores y refrigeración apagados.
- Posición II : mezcladores y refrigeración en función. Posición GRANIZADO.

## Termostato (D)

- Rotación en sentido horario : bebida más fría  
 Rotación en sentido antihorario : bebida menos fría

Para el funcionamiento del distribuidor:

- Colocar el interruptor general en la posición I.
- Ajustar los interruptores mezcladores y refrigeración:
  - en la posición I si se quiere refrigerar el producto sin helarlo
  - en la posición II si se quiere obtener el granizado.
- Poner el interruptor luces en la posición I para encender las luces.

## 5.2 SUGERENCIAS

**1 Regulación de la densidad:** la densidad óptima del granizado ha sido ya ajustada en fábrica. Si se quiere variar dicha densidad girar con un destornillador el correspondiente tornillo de ajuste situado en cada una de las paredes posteriores del distribuidor (ver figura 4):

- hacia derecha (sentido horario) para obtener un granizado más denso (el índice F en la ventanilla G se desplazará hacia abajo).
- hacia izquierda (sentido antihorario) para obtener un granizado menos denso (el índice F en la ventanilla G se desplazará hacia arriba).

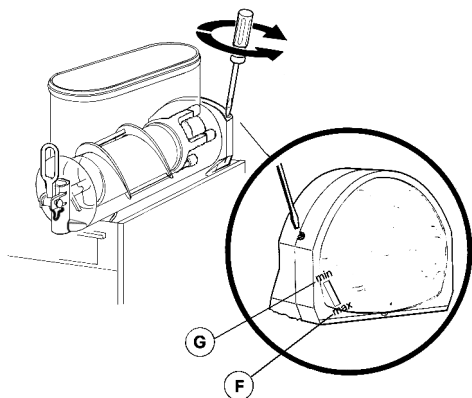


figura 4

**2 Regulación de la temperatura:** la temperatura óptima de las bebidas (para el funcionamiento del distribuidor como refrigerador de bebidas y no como granizador) ha sido regulada en la fábrica. Si se quiere variar su valor, girar el pomo colocado en cada una de los paneles portainterruptores:

- hacia derecha (sentido horario) para obtener una bebida más fría.
- hacia izquierda (sentido antihorario) para obtener una bebida menos fría.

**NOTA :** la regulación de la temperatura de la bebida se hace efectiva solamente cuando el interruptor mezcladores y refrigeración correspondiente se encuentra en la posición Bebida.

**3** El tiempo necesario para obtener la refrigeración del producto varía en función de distintos factores como por ejemplo la temperatura ambiente, la temperatura inicial del producto, su contenido de azúcar (grado Brix) y la regulación de la densidad.

**4** Llenando los contenedores con producto ya enfriado previamente se aumenta ulteriormente la eficiencia del distribuidor.

**5** Para disminuir los tiempos de restablecimiento y, por lo tanto, aumentar la autonomía del distribuidor, volver a llenar cuando el nivel del producto desciende a mitad evaporador.

**6** Para conseguir una buena conservación del producto, el distribuidor debe funcionar también durante la noche, por lo menos en la posición Bebida. Si esto no fuera posible y los productos permanecieran en los contenedores con el distribuidor parado es conveniente, una hora antes de apagar el aparato, llevar los interruptores mezcladores y refrigeración en la posición I; esto evita la formación de bloques o crostas de

hielo que podrían dañar los dispositivos mezcladores. En el caso en que se formasen dichos bloques de hielo, estos deberían ser quitados antes de volver a poner en función el distribuidor. El funcionamiento nocturno en la posición Bebida elimina además la posible formación de hielo (debido a la condensación de la humedad atmosférica) en el exterior de los contenedores.

**7** No parar jamás los mezcladores cuando hay granizado en los contenedores; si no se mezcla, dicho granizado puede agregarse y formar un único bloque de hielo. Volviendo a arrancar los mezcladores en estas condiciones (sin esperar que el hielo se derrita) pueden dañarse.

**8** El distribuidor está provisto de una junta magnética para la transmisión del movimiento a los mezcladores. Para prevenir daños al aparato, en caso de bloqueo de los mezcladores debido a bloques de hielo u otro dentro de los contenedores, la junta magnética se encarga de desconectar automáticamente la transmisión del movimiento.

Dicha situación puede ser identificada tanto por el bloqueo de los mezcladores como por un ruido intermitente que proviene del aparato. En este caso es necesario parar inmediatamente el distribuidor, vaciar el contenedor interesado y eliminar la causa del bloqueo.

**9** Todo distribuidor de este tipo debe despedir calor. Si el calor producido fuera excesivo, controlar que ninguna fuente de calor se encuentre cerca del distribuidor y, en modo particular, cerca de las rejillas de los paneles. Cerciorarse además, que el flujo de aire no esté obstaculizado por paredes cercanas, cajas u otras cosas. Dejar por lo menos 15 cm de espacio libre alrededor del distribuidor.

## 5.3 LIMPIEZA

**1** La limpieza y el lavado son fundamentales para garantizar la perfecta conservación del gusto de la bebida y la máxima eficiencia de vuestro distribuidor. Los procedimientos descritos a continuación deben ser considerados de carácter general y pueden variar por efecto de la reglamentación de higiene vigente.

**2** Antes del desarmado para el lavado del distribuidor debe quitarse todo el producto. Proceder como sigue:

- poner el interruptor general en la posición I;
- poner los interruptores mezcladores/refrigeración en la posición I;
- posicionar un recipiente debajo del grifo y vaciar los contenedores;
- poner todos los interruptores en la posición 0.

### 5.3.1 DESMONTAJE



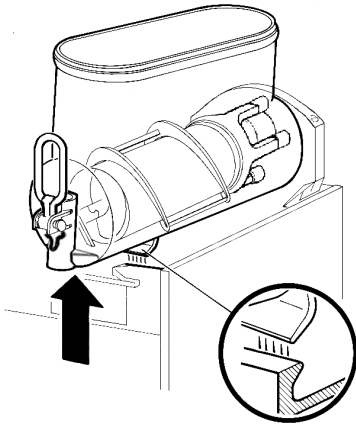
#### ATTENCION

Antes de proceder con el desmontaje de cualquier componente, desenchufar de la toma de corriente eléctrica el enchufe del aparato o bien apagar el interruptor externo de pared.

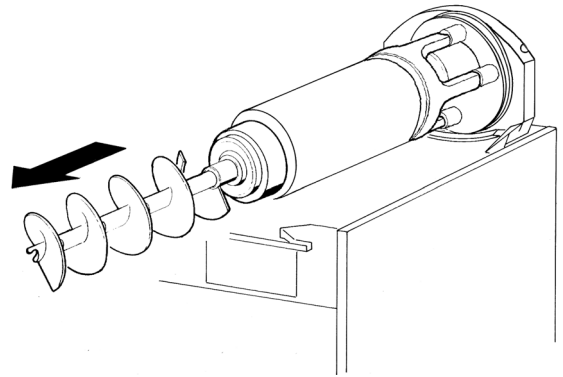
**1** Quitar la tapa del contenedor.

**2** Desmontar el contenedor empujando ligeramente la parte inferior (lado grifo) hacia arriba para dejar libres los ganchos inferiores (ver figura 5) y luego quitarlo por adelante (ver figura

6).

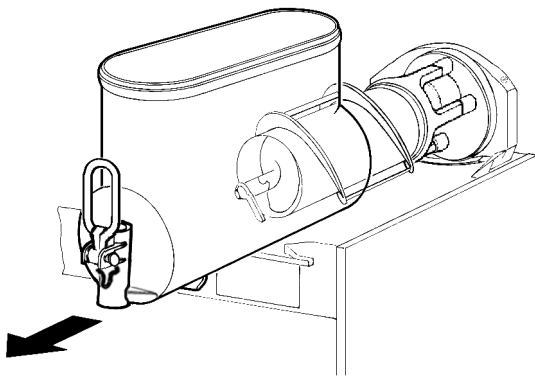


**figura 5**



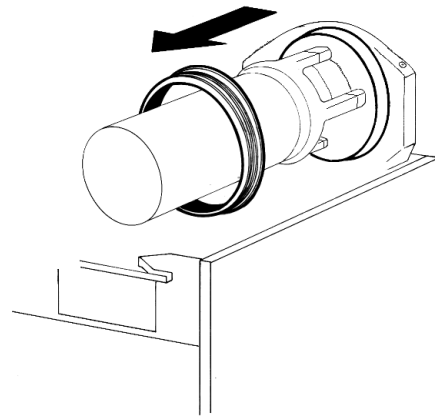
**figura 8**

4 Quitar de su alojamiento la junta del contenedor (ver figura 9).



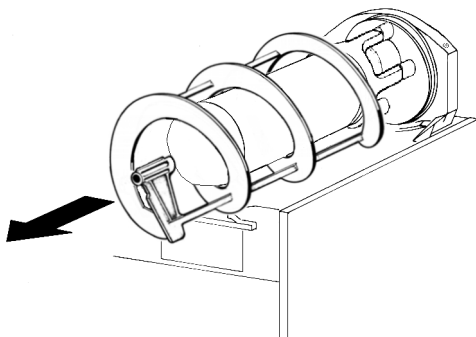
**figura 6**

3 Desenfilarse del evaporador el rasador exterior (ver figura 7) y después el rasador interior (ver figura 8).

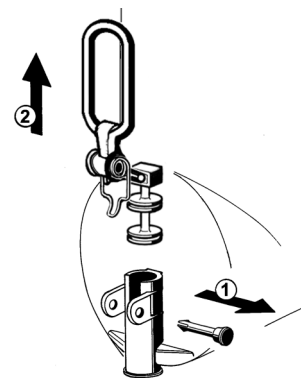


**figura 9**

5 Desarmar el grifo respetando la secuencia indicada (ver figura 10).



**figura 7**



**figura 10**

6 Desenfilarse el cajón recoge-gotas y vaciarlo.

## 5.3.2 LAVADO



### IMPORTANTE

No lavar ningún componente de la maquina en lavavajillas.



### ATTENCION

Antes de efectuar cualquier tipo de limpieza, **desenchufar de la toma de corriente eléctrica el enchufe del aparato o bien apagar el interruptor externo de pared.**

1 Poner en una palangana aproximadamente ocho litros de agua caliente (45°-60°C) y detergente respetando con atención las instrucciones del fabricante; una solución demasiado concentrada del detergente puede provocar daños en las partes a lavar, en vez una solución demasiado diluida puede no limpiar bastante. No utilizar detergentes abrasivos.



### IMPORTANTE

Para prevenir daños al distribuidor utilizar **solamente un detergente compatible con las partes de plástico**

2 Emplear un cepillo apropiado y lavar minuciosamente con la solución detergente todas las partes en contacto con la bebida.



### ATTENCION

**Durante el lavado del distribuidor no usar mucha cantidad de agua cerca de los componentes eléctricos; en caso contrario es posible que se verifiquen shock eléctricos o bien se dañe el distribuidor.**

3 No sumergir en la solución de lavado las tapas con luz sino que lavarlas en modo separado. Prestar mucha atención a sus lavados en la parte inferior.

4 Lavar los cilindros evaporadores empleando un cepillo con cerdas suaves.

5 Enjuagar todas las partes con agua corriente.

## 5.3.3 HIGIENIZACION DEL DISTRIBUIDOR DESMONTADO

**La higienización debe efectuarse inmediatamente antes de poner en función el distribuidor; evitar que este permanezca inactivo por mucho tiempo después de haber sido higienizado.**

1 Antes de iniciar los procedimientos descritos a continuación lavarse las manos con un jabón antibacteriano.

2 Poner en una palangana aproximadamente ocho litros de solución de agua caliente (45-60°C) con un producto para higienizar aprobado por las autoridades de vuestro país respetando las especificaciones del fabricante. Si se carece de un producto para higienizar específico, preparar una solución de agua e hipoclorito de sodio (lejía uso alimenticio) en la proporción de 1 cucharadita por cada 2 litros de agua.

3 Colocar en la solución todas las partes a higienizar dejándolas el tiempo que ha sido indicado por el fabricante del producto.

4 No sumergir en la solución las tapas con la luz. Lavar muy minuciosamente la parte inferior con la solución para

higienizar.

5 Dejar secar las partes higienizadas, sobre una superficie limpia al aire libre.

6 Secar las partes externas del distribuidor sin usar paños abrasivos.

## 5.3.4 REMONTAJE

1 Colocar el cajón recoge-gotas en su alojamiento.

2 Lubricar el pistón grifo, el rascador interior (en los puntos A, B y C indicados en la figura 13) utilizando solamente la grasa suministrada por el fabricante u otro grasa para uso alimenticio.

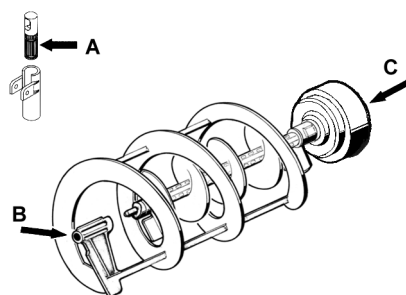


figura 11

3 Armar de nuevo el grifo sobre el contenedor siguiendo la secuencia inversa a la detallada para el desmontaje (vedere figura 10).

4 Volver a montar en su alojamiento la junta del contenedor.

NOTA: El borde de mayor diámetro debe ser apoyado en la pared posterior (ver figura 12).

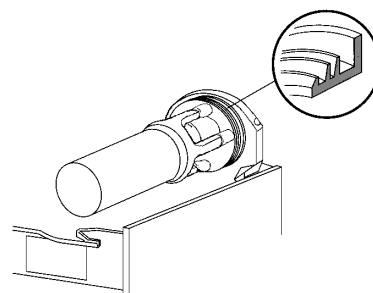


figura 12

5 Enfilear el rascador interior en el evaporador, acompañándolo con cuidado, evitando tocar la pared posterior

(ver figura 13).

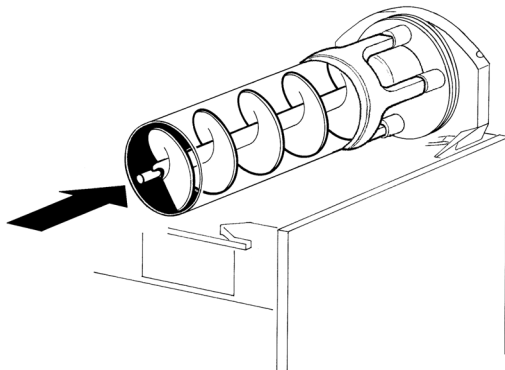


figura 13

6 Colocar sobre el evaporador el rascador exterior, acoplado su extremidad anterior al árbol del rascador interior y haciendo coincidir los dientes de arrastre (ver figura 14).

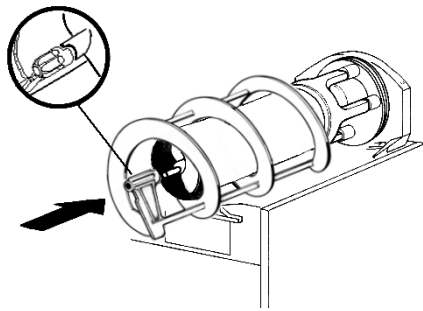


figura 14

7 Montar el contenedor y empujarlo hacia la pared posterior, controlando que calce completamente en la junta y, al mismo tiempo, que sus ganchos inferiores coincidan con las correspondientes salientes del plano de goteo (ver figura 15).

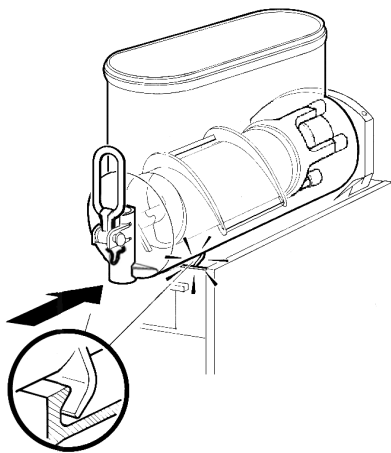


figura 15

8 Enjuagar con bebida fresca para eliminar todo residuo posible de solución para higienizar del fondo de los contenedores. Secar la parte interior de los contenedores con una servilleta de papel desechable.

## 5.4 HIGIENIZACION DEL DISTRIBUIDOR MONTADO

La higienización del aparato montado, antes de ser puesto en funcionamiento, puede ser efectuada, si es necesario, solamente como una ulterior prevención adicional a la higienización del aparato desmontado descrito anteriormente, pero no debe sustituir jamás a la efectuada con el aparato desmontado.

- 1 Poner en una palangana una solución de agua u producto para higienizar aprobado por las autoridades de vuestro país, respetando las especificaciones del fabricante. Si se carece de un producto para higienizar específico, preparar una solución de agua e hipoclorito de sodio (lejía uso alimenticio) en la proporción de 1 cucharadita por cada 2 litros de agua.
- 2 Verter la solución en los contenedores.
- 3 Usando un cepillo apropiado fregar con la solución todas las partes sobre el nivel de la solución y sobre la parte inferior de la tapa.
- 4 Colocar la tapa y poner en función el distribuidor de modo que permita a la solución agitarse 2 minutos.
- 5 Vaciar los contenedores de la solución para higienizar por medio de los grifos.
- 6 Enjuagar con bebida fresca para eliminar del fondo de los contenedores todo residuo posible de solución para higienizar. Secar la parte interior de los contenedores con una servilleta de papel desechable.
- 7 No efectuar más operaciones de enjuague.

## 6 MANUTENCION



### ATTENCION

Si el cable de alimentación está dañado, debe ser substituido por el fabricante o desde su servicio de asistencia técnica o, en cualquier caso, por una persona cualificada con el fin de evitar cualquier tipo de riesgo.

1 **Cada día:** controlar el distribuidor y que no se verifiquen pérdidas de producto de las juntas. Si se notasen pérdidas, controlar, antes de todo, que el distribuidor esté montado correctamente, luego que las juntas no necesiten lubricación y, por último, que dichas juntas no sean defectuosas o estén gastadas, si es así reemplazarlas con recambios originales del fabricante.



### ATTENCION

Antes de efectuar cualquier tipo de limpieza, desenchufar de la toma de corriente eléctrica el enchufe del aparato o bien apagar el interruptor externo de pared.

2 **Cada mes en los modelos FBM 1P, FBM 2 y FBM 3:** eliminar el polvo que se acumula sobre el filtro del condensador. Un filtro obstruido reducirá las prestaciones y podrá causar daños al compresor. Desmontar solamente el panel izquierdo (lado grifo) desenroscando a mano los tornillos de fijación cubiertos de

plástico (ver figura 16).

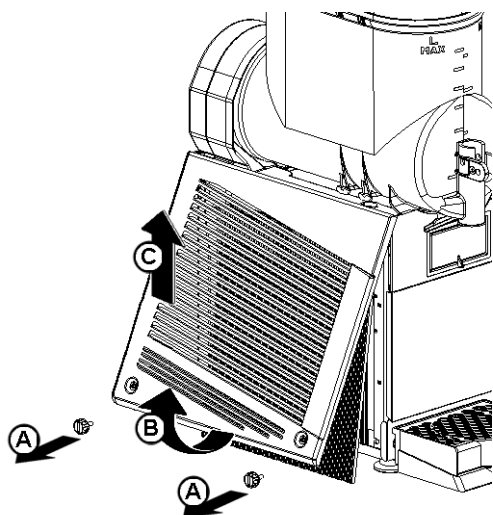


figura 16

3 Substitución de la lámpara de la tapa luminosa : quitar el tornillo colocado en la parte superior de la tapa, extraer la parte inferior y substituir la lámpara (utilizar lámparas de 24-28 V 21W max). Volver a montar la tapa y cerrarla con su tornillo (ver figura 19).

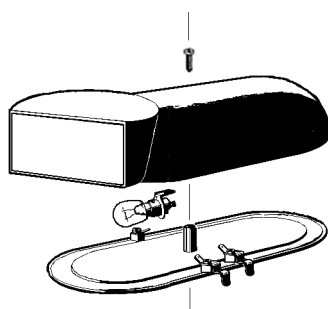


figura 17



## ATTENCION

Prestar atención a las aletas del condensador porque tienen filo.

### 6. 1 MANUTENCION (SOLAMENTE POR EL SERVICIO POSTVENTA)

- 1 **Cada año:** es aconsejable quitar todos los paneles y limpiar la zona interior, incluso la base y el interior de los paneles.
- 2 **Cada año:** Controlar que los bujes para los rascadores no se hayan consumido o deformado. Si hubiera sucedido, deberán ser sustituidos.
- 3 No quitar jamás el material aislante contra la condensación puesto alrededor del tubo de salida del evaporador (el tubo de cobre colocado a la derecha del motoreductor). Si dicho material estuviera dañado o perdido, reponer con recambios originales del fabricante.
- 4 Para prevenir daños al distribuidor las partes de plástico

deben ser lubricadas solamente con la grasa suministrada por el fabricante u otra grasa compatible con policarbonato.

### 7 CONTADOR DE DESCONGELACION (OPCIONAL)

El contador de descongelación, que está situado a la derecha del aparato, automáticamente cambia el dispensador de la función del Granizado a la función Bebida y al contrario. Esto quiere decir que durante el periodo de descongelación el Granizado se derretirá a la temperatura fijada por el termostato y una vez que el periodo de descongelación haya terminado, el producto automáticamente se congela de nuevo a la viscosidad prefijada del Granizado.

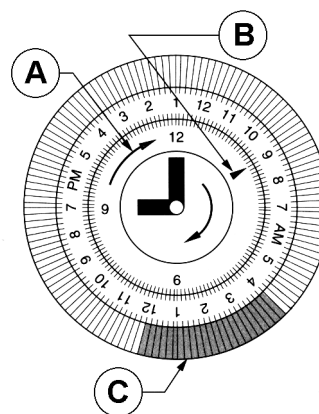


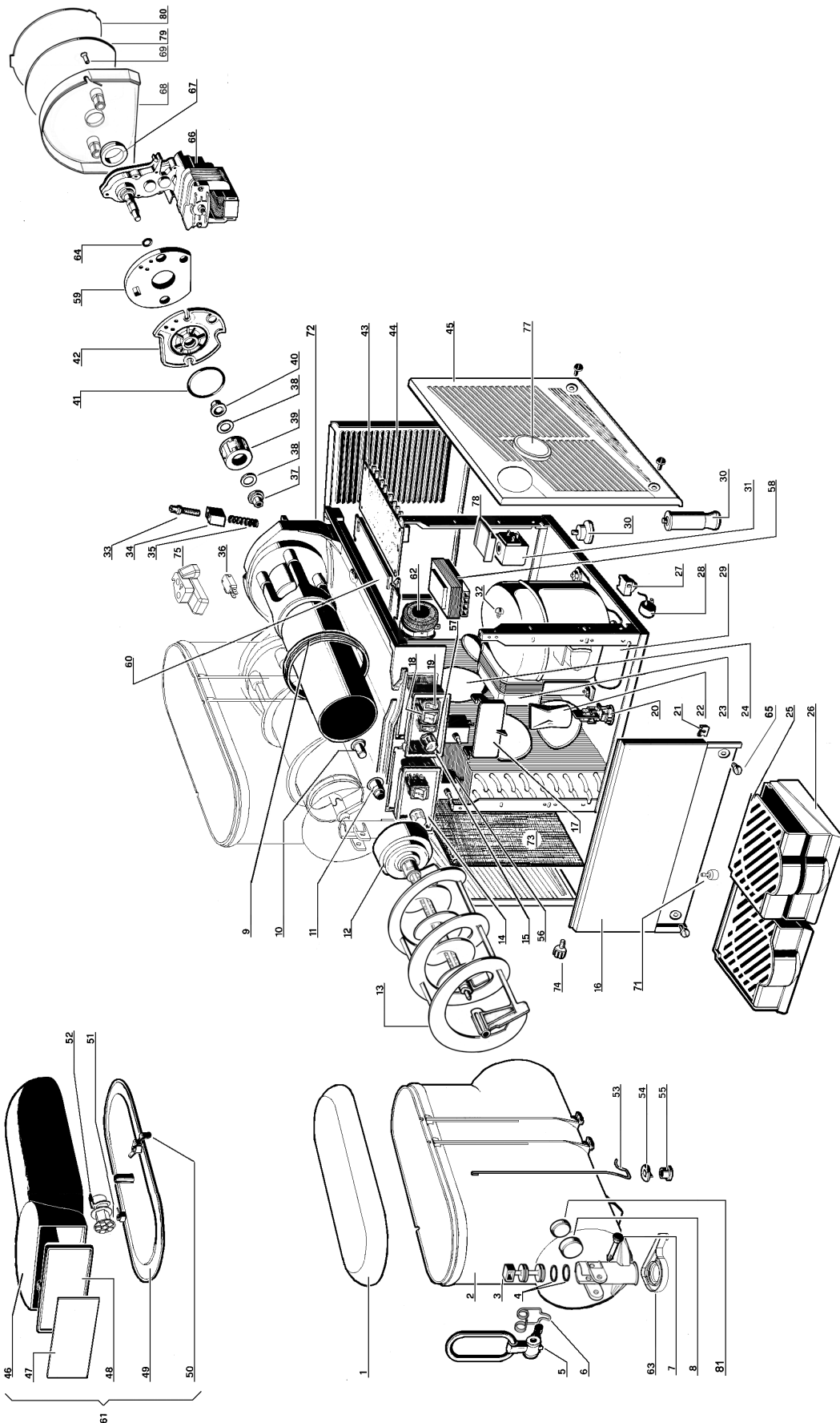
figura 18

Para utilizar el contador de descongelación seguir los siguientes pasos (ver figura 18):

- 1 fijar la hora del día girando el contador en sentido horario. **Nunca girar el contador en sentido antihorario** ya que el mecanismo interno podría verse dañado. Alinear la hora del día mediante la aguja B situada en la cara del contador. Este es un contador que muestra las 24 horas AM y PM.
- 2 programar el contador de descongelación presionando las lengüetas indicadas con la letra "C" que corresponden a las horas prefijadas para la descongelación. Cada división representa 15 minutos. Un mínimo de cuatro a ocho horas son necesarias para la descongelación de la bebida (dependiendo de las condiciones ambientales).

**Note:** cuando todas las lengüetas no están presionadas la función de descongelación se mantiene apagada (el distribuidor funciona como si no estuviera equipado con el contador de descongelación).

**ENGLISH** SPARE PARTS LIST  
**FRANCAIS** LISTE DES PIECES DE RECHANGE  
**ESPAÑOL** DESCRIPCION PIEZAS DE REPUEST



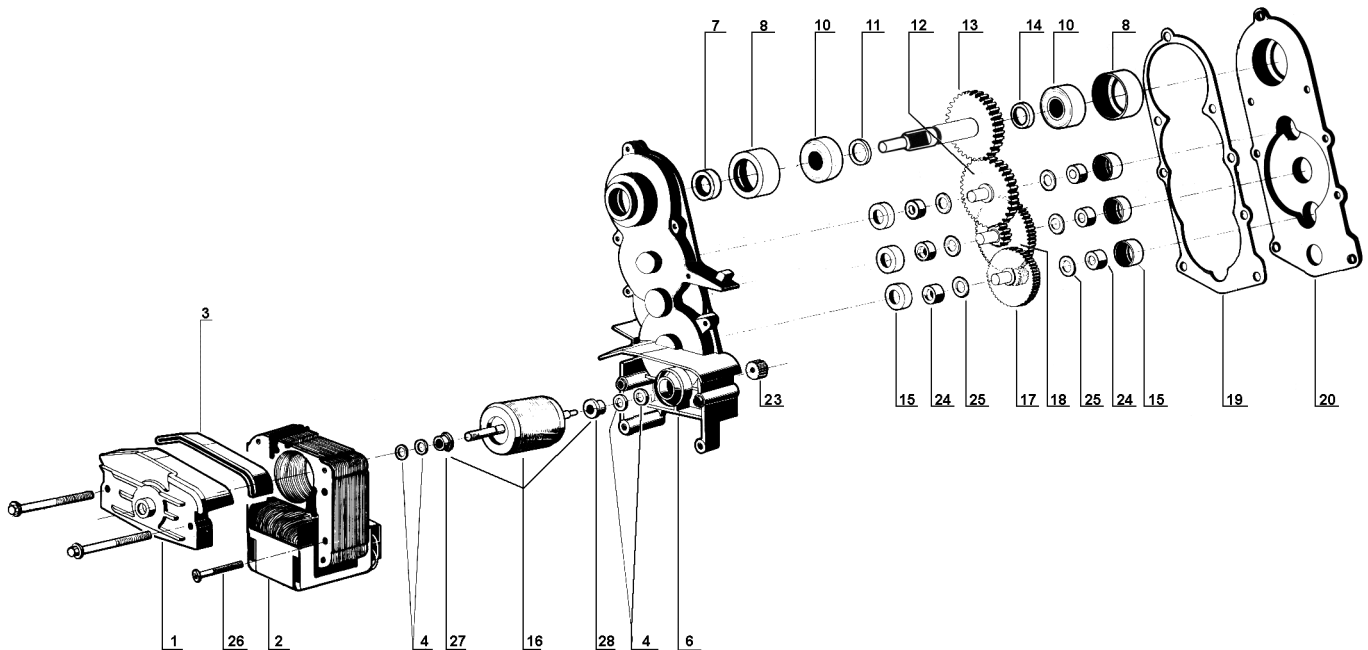


1	22800-23400	Transparent cover	Couvercle transparent	Tapa transparente
2	22800-17404	Bowl	Réservoir	Contenedor
3	22800-14802	Faucet piston	Piston du robinet	Pistón del grifo
4	22800-15100	Faucet piston OR	Joint OR du piston du robinet	Junta OR del pistón grifo
5	22800-27460	Faucet handle	Levier de débit	Palanca grifo
5a	22800-27460-006	Black faucet handle	Levier de débit noir	Palanca grifo nero
6	22800-15002	Faucet handle spring	Ressort du livier de débit	Muelle de la palanca grifo
7	22800-22161	Faucet handle pin	Pivot pour levier de débit	Pivote de la palanca
7a	22800-22160	Black faucet handle pin	Pivot pour levier de débit noir	Pivote de la palanca nero
8	22800-23502	Thrust washer rubber cap	Calotte pour coussinet	Tapa de goma para buje
9	22800-17200	Bowl gasket	Joint du réservoir	Junta del contenedor
10	10028-02803	Rear wall front bushing	Douille extérieure	Buje exterior
11	10028-02801	Auger bushing	Douille pour racloir intérieur	Buje para rascador interior
12	33800-08001	Auger	Racloir intérieur	Rascador interior
13	22800-16102	Outer spiral	Racloir extérieur	Rascador exterior
14	22800-16562	Switch box	Boîte porte-interrupteurs	Panel para interruptores
14a	22800-16505	Black switch box	Boîte porte-interrupteurs noir	Panel para interruptores nero
15	22800-16462	Power switch box	Boîte porte-interrupteur général	Panel para interruptor general
15a	22800-16404	Black power switch box	Boîte porte-interrupteur général noir	Panel para interruptor general nero
16	○○○	Dispensing side panel	Panneau côté robinet	Panel lado grifo
17	22800-16660	Switch box cover	Couvercle boîte interrupteurs	Tapa panel interruptores
18	22800-24200	3-position switch	Interrupteur 3-positions	Interruptor de 3 posiciones
19	22800-24300	2-position switch	Interrupteur	Interruptor
20	22800-05500	Terminal block with cable clamp	Borne avec fixation du câble	Pasacable
21	10554-45001	Clip	Clip	Clip
22	22800-12701	Terminal block protection	Protection borne	Protección pasacable
23	○○○	Fan motor	Moteur ventilateur	Motor ventilador
24	22800-13200	Fan blade	Hélice	Aspas
25	○○○	Drip tray cover	Couvercle tiroir égouttoir	Rejilla cajón recoge-gotas
26	○○○	Drip tray	Tiroir égouttoir	Cajón recoge-gotas
27	***:	Relay	Relais	Relé
28	***:	Overload protector	Protège moteur	Guardamotor
29	***:	Starting-run capacitor	Condensateur de démarrage	Condensador de arranque
30	22800-10000	Rubber leg	Petit pied	Pie nivelador
30	22800-04100	4" leg	Petit pied 4"	Pie nivelador 4"
31	***:	Solenoid valve coil	Bobine électrovanne	Bobine electroválvula
32	22800-12860	Vibration damper for panels	Petit bouchon fixation panneaux	Goma contra vibraciones para panel
33	22800-16700	Density adjustment screw	Vis de régulation densité	Tornillo regulador densidad
34	22800-16961	Shaped nut	Ecrou-guide du ressort	Tuerca-guida del muelle
35	22800-16800	Spring	Ressort	Muelle
36	22800-09301	Microswitch	Micrinterrupteur	Micrinterruptor
37	10028-02802	Rear wall rear bushing	Douille intérieure	Buje interior
38	10028-02805	Magnetic drive washer	Rondelle pour rotor intérieur	Arandela para rotor interior
39	33800-09601	Magnetic drive	Rotor intérieur	Rotor interior
40	10028-02800	Flange bushing	Douille pour brige	Buje para brida
41	10028-02804	Flange OR 3231	OR 3231 pour bride	OR para brida
42	22800-15370	Gear motor flange	Bride pour motoréducteur	Brida para motoreductor
43	22800-05240	Delay electronic device (PWB)	Circuit imprimé de contrôle	Circuito electrónico
44	○○○	Back panel	Panneau arrière	Panel posterior
45	22800-00260	Right side panel	Panneau latéral droit	Panel lateral derecho
45	22800-00262	Right side panel for defrost timer	Panneau latéral droit pour le dégivrage timer	Panel lateral derecho para reloj
46	22800-17060	Lighted top cover (upper)	Couvercle éclairé (partie super.)	Tapa con luz (superior)
46a	22800-17061	Black lighted top cover (upper)	Couvercle éclairé nero (partie super.)	Tapa con luz noir(superior)
47	10028-03772	Picture	Photo	Fotografía
48	22800-16060	Picture screen	Porte-photo	Armazon
49	22800-17100	Lighted top cover (lower)	Fond du couvercle	Fondo de la tapa
50	22800-11700	Top cover light contact	Contact pour éclairage couvercle	Contacto para luz
51	10028-03810	28V bulb	Ampoule 28 V	Lampara 28 V
52	10028-04210	Bulb socket	Douille	Portalampara
53	22800-15202	Light wire	Ressort de contact	Muelle para contacto luz
54	22800-22861	Flexible contact	Joint avec contact	Gomita con contacto
55	22800-23000	Fixing ring	Anneau de fixation	Anillo de fijación
56	33800-08300	Thermostat	Thermostat	Termostato
57	22800-14560	Thermostat knob	Pommeau du thermostat	Pomo para termostato
58	○○○	Transformer	Transformateur	Transformador
59	10570-13602	Insulation foam	Couche d'isolation	Espuma aislante
60	22800-14652	PWB housing	Support du circuit imprimé	Soporte circuito electrónico

# FBM UL

61	33800-04860	Lighted top cover (assy.)	Couvercle éclairé (complet)	Tapa completa con luz
61a	33800-14861	Black lighted top cover (assy.)	Couvercle éclairé noir (complet)	Tapa completa con luz nero
62	22800-26201	Timer switch	Commutateur de temporisateur	Reloj
63	2R000-04110	Condensate collection seal	Joint de recueil de la condensation	Junta colectora de condensación
64	10028-03217	Central shaft OR	Joint "OR" pour arbre moteur	OR para eje central
65	10502-55010	Stainless steel fixing screw for panel	Vis de fixation en acier inoxydable pour le panneau	Tornillo inox fijación paneles
66	33800-04771	Gear motor	Motoréducteur	Motoreductor
67	22800-22300	Rear bushing	Douille postérieur	Buje posterior
68	22800-17562	Rear cover	Carter postérieur	Tapa posterior
68a	22800-17541	Black rear cover	Carter postérieur noir	Tapa posterior nera
69	22800-22260	Rear cover fixing screw	Vis de fixation du carter	Tornillo de fijación de la tapa
70	22800-00360	Left side panel	Panneau latéral gauche	Panel lateral izquierdo
71	22900-06300	Float level	Le niveau du flotteur	nivel de flotación
72	33800-08264	Complete evaporator (white version)	évaporateur complet (vers. blanc)	evaporador completa (vers. blanco)
72	33800-08206	Complete evaporator (black version)	évaporateur complet (vers. noir)	evaporador completa (vers. negro)
72	33800-08211	Complete evaporator (grey version)	évaporateur complet (vers. gris)	evaporador completa (vers. gris)
73	10028-00905	Condenser filter	Filtre du condenseur	Filtro del condensador
74	10028-03360	Panel fixing screw	Pommeau blanc de fixation du panneau	Tornillo fijación panel lateral
74a	10028-03303	Black panel fixing screw	Pommeau noir de fixation du panneau	Tornillo fijación panel lateral nero
75	10028-03222	Micro-switch protection	Protection Micro-switch	Goma de protección microinterruptor
77	10028-02001	Timer cover	Vis inox de fixation panneau	Tapa del reloj
78	22800-23799	Solenoid valve plastic cap	Couvercle plastique pour soupape électrique	Protección de plástico para bobina electroválvula
79	10028-03771	Rear cover picture	Photo carter postérieur	Fotografía para tapa posterior
80	10028-03703	Rear cover picture screen	Porte-photo carter postérieur	Armazón para fotografía tapa posterior
81	22800-23501	Thrust washer	Butée	Arandela de empuje
	○○○	<b>See next table</b>	<b>Mentionner indicatif imprimé sur la pièce</b>	<b>Ver tabla</b>
	※※※	<b>Please order what printed on piece</b>	<b>Voir tableau</b>	<b>Pedir com la identificación marcada en la pieza</b>

○○○	FBM 1P UL	FBM 2 UL	FBM 3 UL
<b>16</b>	22800-21667	22800-21760	22900-04060
<b>23</b>	33800-00602	33800-00602	33800-00602
<b>25</b>	22800-00563	22800-00560	22800-00560
<b>26</b>	22800-00663	22800-00660	22800-00660
<b>44</b>	22800-06863	22800-00062	22800-06162
<b>58</b>	22800-18203	22800-18221	22800-18221

**ENGLISH GEAR MOTOR****FRANCAIS MOTOREDUCTEUR****ESPAÑOL MOTORREDUCTOR**

1	22800-22651	Bracket with bush	Support avec coussinet	Soporte con buje
2	22800-22501	Stator	Stator	Estator
3	10028-03213	Stator protection gasket	Joint protection du stator	Junta de la cobertura estator
4	10028-03201	Washer	Rondelle	Arandella
6	33800-03802	Gear box with bushing	Boîte du réducteur avec coussinet	Caja reductor con buje
7	22800-22615	Seal retainer	Anneau d'étanchéité	Junta de retención
8	10028-03216	Ball bearing Ø 28 mm rubber cap	Calotte pour roulement à billes	Tapa de goma para cojinete
10	22800-22613	Ball bearing Ø 28 mm	Roulement à billes Ø 28	Cojinete de bolas Ø 28
11	10028-03202	1.5 mm spacer	Entretoise 1,5 mm.	Distancial 1,5 mm.
12	22800-22611	Third gear	Troisième engrenage	Tercero engranaje
13	22800-22650	Fourth gear	Quatrième engrenage	Cuarto engranaje
14	10028-03203	3.3 mm spacer	Entretoise 3,3 mm.	Distancial 3,3 mm.
15	10028-03215	Bushing rubber cap	Calotte pour coussinet	Tapa de goma para buje
16	22800-22680	Rotor with spacer	Rotor avec entretoise	Rotor con distancial
17	22800-22639	First gear	Premier engrenage	Primero engranaje
18	22800-22640	Second gear	Deuxième engrenage	Segundo engranaje
19	10028-03221	Gasket	Joint	Junta
20	22800-22643	Gear box cover	Carter du réducteur	Tapa de la caja reductor
23	22800-22634	Pinion	Pignon	Piñón
24	10028-03204	Bushing	Coussinet	Buje
25	10028-03205	Washer	Rondelle	Arandela
26	10540-13532	Bracket screw	Vis du stator	Tornillo del estator
27	22800-22681	Spacer (stator side)	Entretoise (côté rotor)	Distancial lado rotor
28	22800-22682	Spacer (box side)	Entretoise (côté boîte)	Distancial lado caja



02471-00029  
R5.4 15E13