

MHGA BLK (50Hz)

29.1" x 18.0" x 9.4"
(73.9cm x 45.7cm x 23.9cm)



Servers and airpots sold separately

- Convenient, front-loading hoppers allow grinding of a wide variety of coffees
- Display racks promote fresh ground coffee program
- Hoppers serve as storage containers when not in the grinder-locking lid prevents tampering (lock sold separately)
- Smart Hopper tells the grinder what coffee is in it through a microchip in the hopper
- BrewWISE brewer reads the information in the Smart Funnel, adjusts the recipe, and brews coffee
- Create coffee recipe cards with BrewWISE recipe writer on your PC
- Grinder adjusts the grind time for each batch to deliver just the right grind volumes
- LCD alphanumeric display shows coffee names and diagnostics
- Portion controlled for the right amount of coffee every time with 3 batch sizes per hopper
- Precision burrs for consistent, commercial quality grind
- Tall design accommodates large brew funnels

Agency:



Specifications

Product #: 35600.0023

Interface: Wireless

Finish: Black

Hoppers: Two

Hopper Capacity: 6.00 lbs (2.722 kgs)

Additional Features

BrewWISE

Electrical & Capacity

Volts	Amps	Watts	Cord Attached	Plug Type	8oz cups/hr 236ml cups/hr	Input H ² O Temp.	Phase	# Wires plus Ground	Hertz
220-240	6.5	920	Yes	EURO 16A	-	60°F (15.5°C)	1	2	50/60

Plumbing Requirements

PSI	kPa	Fitting Supplied	Water Flow Required (GPM)
-	-	-	-

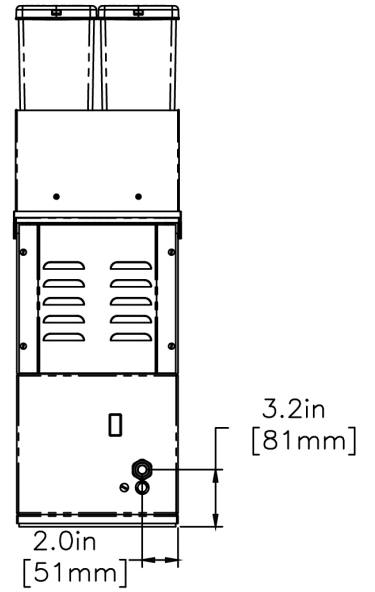
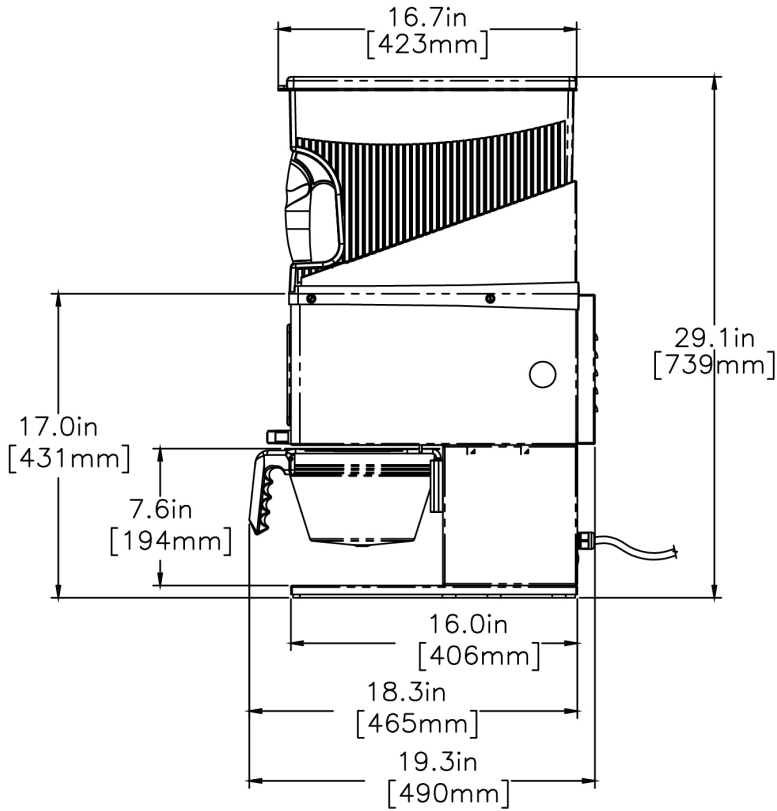
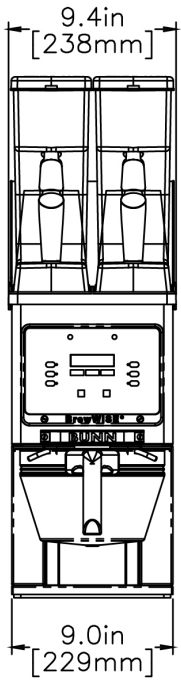
CAD Drawings

2D	Revit	KLC
●		



BUNN® reserves the right to change specifications and product design without notice. Such revisions do not entitle the buyer to corresponding changes, improvements, additions or replacements for previously purchased equipment. For most current specifications and other info visit bunn.com.

Created on:
01/20/2017



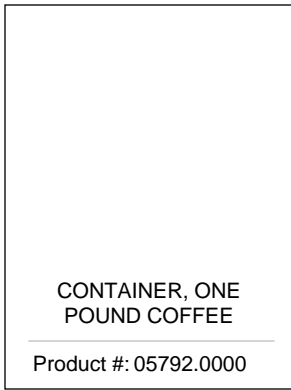
Unit				Shipping				
	Width	Height	Depth	Width	Height	Depth	Weight	Volume
English	9.4 in.	29.1 in.	18.0 in.	-	-	-	69.300 lbs	6.153 ft ³
Metric	23.9 cm	73.9 cm	45.7 cm	-	-	-	31.434 kgs	0.174 m ³



BUNN® reserves the right to change specifications and product design without notice. Such revisions do not entitle the buyer to corresponding changes, improvements, additions or replacements for previously purchased equipment. For most current specifications and other info visit bunn.com.


Created on:
01/20/2017

Related Products & Accessories:MHGA BLK (50Hz)(35600.0023)



CONTAINER, ONE POUND COFFEE

Product #: 05792.0000



BURR SET KIT, NEW

Product #: 05861.1002



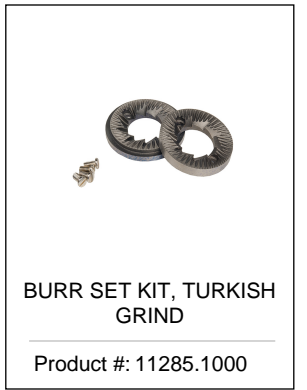
DECHAFFER PLATE, SPRING STEEL

Product #: 05995.0000



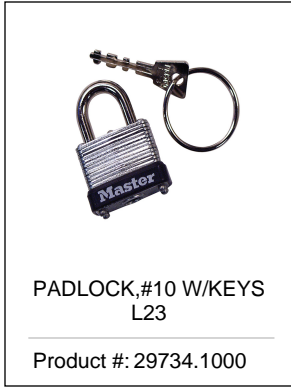
DECHAFFER PLATE, SPR STL 6PK

Product #: 05995.1000



BURR SET KIT, TURKISH GRIND

Product #: 11285.1000



PADLOCK,#10 W/KEYS L23

Product #: 29734.1000



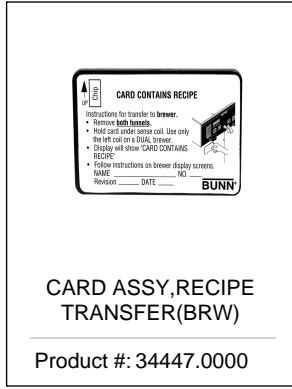
BREWWISE RECIPE WRITER

Product #: 34444.0000



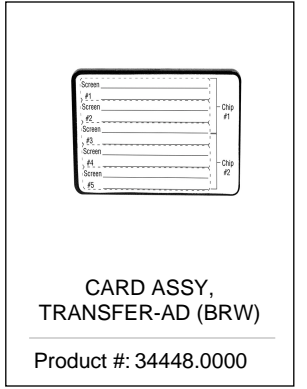
BREWWISE RECIPE WRITER

Product #: 34444.0001



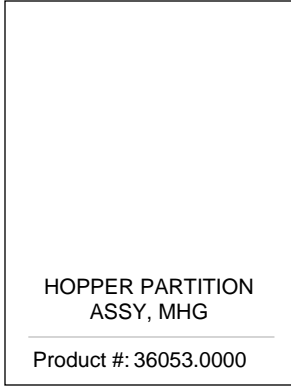
CARD ASSY,RECIPE TRANSFER(BRW)

Product #: 34447.0000



CARD ASSY, TRANSFER-AD (BRW)

Product #: 34448.0000



HOPPER PARTITION ASSY, MHG

Product #: 36053.0000



HOPPER RACK, MHG 2 POSITION

Product #: 36760.0000



HOPPER RACK, MHG 4 POSITION

Product #: 36760.0001



HOPPER/LID ASSY, MHG

Product #: 36845.0000



BUNN® reserves the right to change specifications and product design without notice. Such revisions do not entitle the buyer to corresponding changes, improvements, additions or replacements for previously purchased equipment. For most current specifications and other info visit bunn.com.

Created on:
01/20/2017

Serving & Holding Options: MHGA BLK (50Hz)(35600.0023)

Serving and Holding selections are currently unavailable. Please contact your sales representative to find out more information.



BUNN® reserves the right to change specifications and product design without notice. Such revisions do not entitle the buyer to corresponding changes, improvements, additions or replacements for previously purchased equipment. For most current specifications and other info visit bunn.com.

Created on:
01/20/2017