


SRUA

33.5" x 24.6" x 14.0"
(85.1cm x 62.5cm x 35.6cm)

- 3gal (11.4L) coffee urn measuring only 14" wide fits most counters
- Half-batch option
- Large water tank—over 10gal
- All stainless steel construction
- Draw off hot water during brewing cycle without affecting coffee quality
- Top mounted components for ease of service



 Servers and airpots sold separately

Agency:



Specifications

Product #: 06325.0016

Water Access: Plumbed

Finish: Stainless

Funnel: Black Plastic

Additional Features

Electrical & Capacity

Volts	Amps	Watts	Cord Attached	Plug Type	8oz cups/hr 236ml cups/hr	Input H ₂ O Temp.	Phase	# Wires plus Ground	Hertz
220-240	22.7-25.0	5000-6000	No	-	258	60°F (15.5°C)	1	2	50/60

Plumbing Requirements

PSI	kPa	Fitting Supplied	Water Flow Required (GPM)
20-90	138-621	3/8" Male Flare Fitting	-

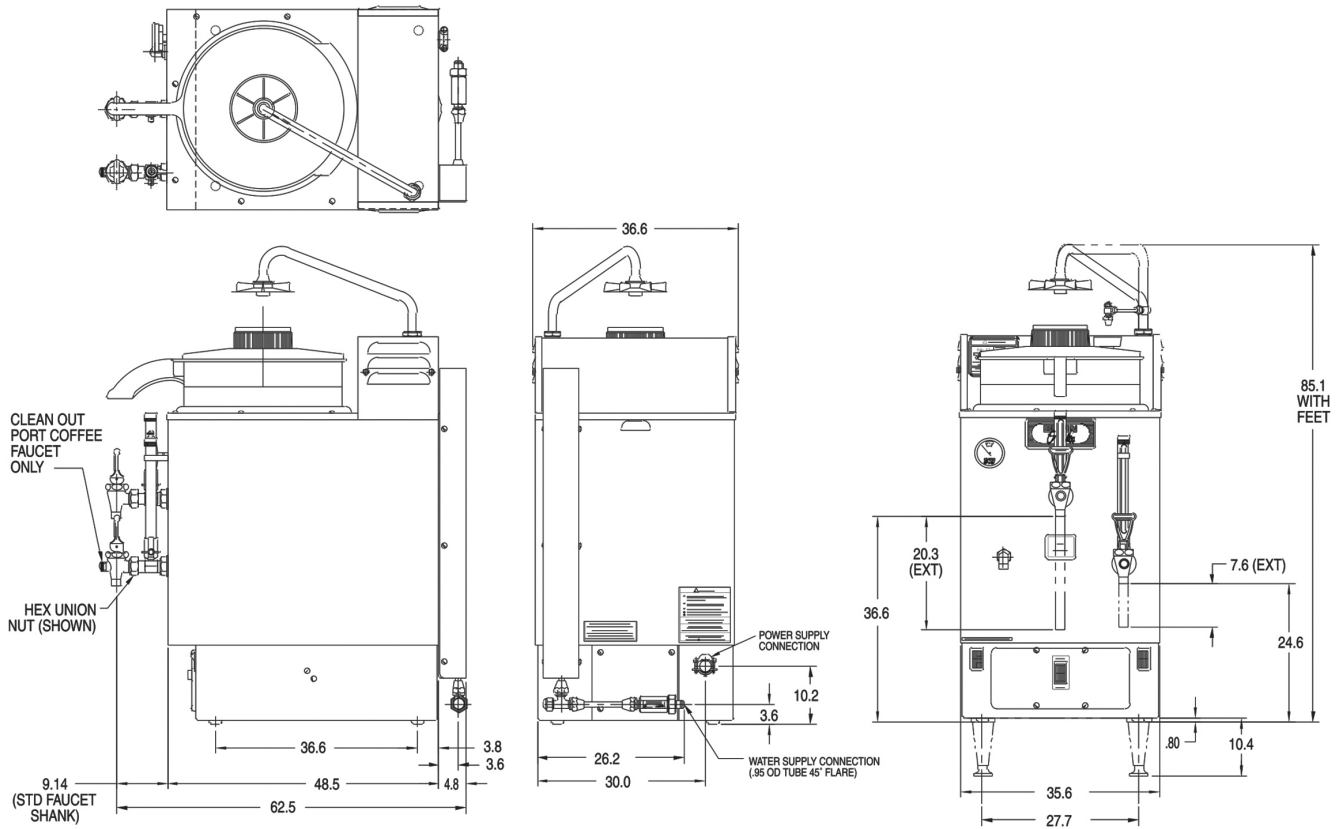
CAD Drawings

2D	Revit	KLC
●		



BUNN® reserves the right to change specifications and product design without notice. Such revisions do not entitle the buyer to corresponding changes, improvements, additions or replacements for previously purchased equipment. For most current specifications and other info visit bunn.com.

Created on:
02/01/2017



Unit			Shipping					
	Width	Height	Depth	Width	Height	Depth	Weight	Volume
English	14.0 in.	33.5 in.	24.6 in.	-	-	-	92.000 lbs	8.552 ft ³
Metric	35.6 cm	85.1 cm	62.5 cm	-	-	-	41.731 kgs	0.242 m ³



BUNN® reserves the right to change specifications and product design without notice. Such revisions do not entitle the buyer to corresponding changes, improvements, additions or replacements for previously purchased equipment. For most current specifications and other info visit bunn.com.

Created on:
02/01/2017

Related Products & Accessories:SRUA(06325.0016)



KIT LEG EXTENSION-4.0
LG

Product #: 06333.0000



DRIP TRAY ASSY, SST-
PERF CVR

Product #: 06465.0000



FILTERS,U3 18x7 252CS
252/1 36/CL

Product #: 20109.0000



WATER FILTER,
EQHP-10L

Product #: 39000.0001



WATER FILTER,
EQHP-25L

Product #: 39000.0002



WATER FILTER,
EQHP-10

Product #: 39000.0004



WATER FILTER,
EQHP-25

Product #: 39000.0005



BUNN® reserves the right to change specifications and product design without notice. Such revisions do not entitle the buyer to corresponding changes, improvements, additions or replacements for previously purchased equipment. For most current specifications and other info visit bunn.com.

Created on:
02/01/2017

Serving & Holding Options: SRUA(06325.0016)



RWS1, 120V

Product #:12203.0010



RWS1, 120V-SATIN NKL
LEGS

Product #:12203.0014



1.5GPR-FF, TOP HNDL

Product #:20950.0004



BUNN® reserves the right to change specifications and product design without notice. Such revisions do not entitle the buyer to corresponding changes, improvements, additions or replacements for previously purchased equipment. For most current specifications and other info visit bunn.com.

Created on:
02/01/2017