



Register Online!  
¡Regístrese en línea!  
S'inscrire en ligne!



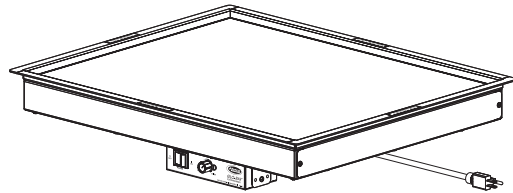
Original Instructions  
Instrucciones originales  
Instructions originales

# GLO-RAY® Heated Shelf GRS, GRSB, and GRSBF Series

I&W #07.05.047.00  
(1 of 2)

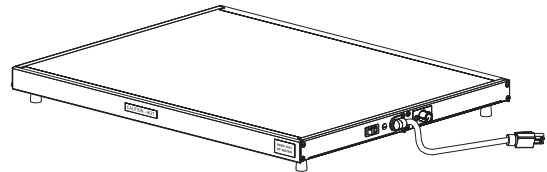
## GB Heated Shelf

GRS, GRSB, and GRSBF Series  
Installation and Operating Manual  
For CE and Non-CE Models  
P 2



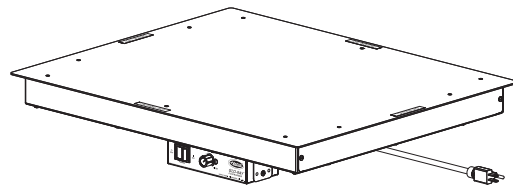
## ES Anaqueles Calentados Insertables

GRS, GRSB, y GRSBF Serie  
Manual de Instalación y Operación  
Para modelos CE y no CE  
P 22



## FR Plaques Chauffantes

GRS, GRSB, et GRSBF Série  
Manuel d'installation et d'utilisation  
Pour les modèles CE et non-CE  
P 42



### ⚠ WARNING

Do not operate this equipment unless you have read and understood the contents of this manual! Failure to follow the instructions contained in this manual may result in serious injury or death. This manual contains important safety information concerning the maintenance, use, and operation of this product. If you're unable to understand the contents of this manual, please bring it to the attention of your supervisor. Keep this manual in a safe location for future reference.

### ⚠ ADVERTENCIA

No opere este equipo al menos que haya leído y comprendido el contenido de este manual! Cualquier falla en el seguimiento de las instrucciones contenidas en este manual puede resultar en un serio lesión o muerte. Este manual contiene importante información sobre seguridad concerniente al mantenimiento, uso y operación de este producto. Si usted no puede entender el contenido de este manual por favor pregunte a su supervisor. Almacenar este manual en una localización segura para la referencia futura.

### ⚠ AVERTISSEMENT

Ne pas utiliser cet équipement sans avoir lu et compris le contenu de ce manuel ! Le non-respect des instructions contenues dans ce manuel peut entraîner de graves blessures ou la mort. Ce manuel contient des informations importantes concernant l'entretien, l'utilisation et le fonctionnement de ce produit. Si vous ne comprenez pas le contenu de ce manuel, veuillez le signaler à votre supérieur. Conservez ce manuel dans un endroit sûr pour pouvoir vous y référer plus tard.

<b>Important Owner Information</b> .....	<b>2</b>	<b>Operation</b> .....	<b>17</b>
<b>Introduction</b> .....	<b>2</b>	General .....	17
<b>Important Safety Information</b> .....	<b>3</b>	<b>Maintenance</b> .....	<b>17</b>
<b>Model Description</b> .....	<b>4</b>	General .....	17
<b>Model Designation</b> .....	<b>4</b>	Cleaning .....	17
<b>Specifications</b> .....	<b>5</b>	<b>Troubleshooting Guide</b> .....	<b>18</b>
Plug Configurations .....	5	<b>Options and Accessories</b> .....	<b>18</b>
Dimensions .....	5	<b>International Limited Warranty</b> .....	<b>21</b>
Electrical Rating Chart .....	8	<b>Service Information</b> .....	<b>21</b>
<b>Installation</b> .....	<b>13</b>		
General .....	13		
GRS Models.....	13		
GRSB and GRSE Models.....	14		

## IMPORTANT OWNER INFORMATION

Record the model number, serial number (specification label on bottom of GRS model, bottom of control box on GRSE and GRSEBF models), voltage, and purchase date of the unit in the spaces below. Please have this information available when calling Hatco for service assistance.

Model No. \_\_\_\_\_

Serial No. \_\_\_\_\_

Voltage \_\_\_\_\_

Date of Purchase \_\_\_\_\_

Business Hours: 7:00 AM to 5:00 PM  
 Central Standard Time (C.S.T.)  
 (Summer Hours: June to September –  
 7:00 AM to 5:00 PM C.S.T.  
 Monday through Thursday  
 7:00 AM to 4:00 PM C.S.T. Friday)

Telephone: (414) 671-6350

E-mail: partsandservice@hatcocorp.com

Fax: (414) 671-3976 (Parts and Service)

Additional information can be found by visiting our web site at [www.hatcocorp.com](http://www.hatcocorp.com).

**Register your unit!**

Completing online warranty registration will prevent delay in obtaining warranty coverage. Access the Hatco website at [www.hatcocorp.com](http://www.hatcocorp.com), select the *Parts & Service* pull-down menu, and click on "Warranty Registration".



**Correct Disposal of this Product**

This marking indicates that this product and its electronic components should not be disposed of with other commercial waste. To prevent possible harm to the environment or human health from uncontrolled waste disposal, recycle responsibly to promote the sustainable reuse of material resources. To dispose of product and its electronic components, contact supplier where product was purchased for environmentally safe recycling.

## INTRODUCTION

Hatco Glo-Ray Heated Shelves are designed to keep prepared foods hot in kitchen work areas, server pick-up stations, or customer serving points. Heated Shelves will keep all foods at optimum serving temperatures without affecting quality. These warmers have a thermostatically-controlled heated base to extend the holding times of most foods.

Glo-Ray Heated Shelves are a product of extensive research and field testing. The materials used were selected for maximum durability, attractive appearance, and optimum performance. Every unit is inspected and tested thoroughly prior to shipment.

This manual provides the installation, safety and operating instructions for the Glo-Ray Heated Shelf. Hatco recommends all installation, operating, and safety instructions appearing in this manual be read prior to installation or operation of your Glo-Ray Heated Shelf.

Safety information that appears in this manual is identified by the following signal word panels:



**WARNING** indicates a hazardous situation which, if not avoided, could result in death or serious injury.



**CAUTION** indicates a hazardous situation which, if not avoided, could result in minor or moderate injury.



**NOTICE** is used to address practices not related to personal injury.



Read the following important safety information before using this equipment to avoid serious injury or death and to avoid damage to equipment or property.

**WARNING****ELECTRIC SHOCK HAZARD:**

- Plug unit into a properly grounded electrical receptacle of the correct voltage, size, and plug configuration. If plug and receptacle do not match, contact a qualified electrician to determine and install the proper voltage and size electrical receptacle.
- Turn OFF power switch, unplug power cord, and allow unit to cool before performing any cleaning, adjustments, or maintenance.
- DO NOT submerge or saturate with water. Unit is not waterproof. Do not operate if unit has been submerged or saturated with water.
- Unit is not weatherproof. Locate unit indoors where ambient air temperature is a minimum of 21°C (70°F).
- This unit is not “jet-proof” construction. Do not use jet-clean spray to clean this unit.
- Do not steam clean or use excessive water on unit.
- Do not pull unit by power cord.
- Discontinue use if power cord is frayed or worn.
- Do not attempt to repair or replace a damaged power cord. The cord must be replaced by Hatco, an Authorized Hatco Service Agent, or a person with similar qualifications.
- This unit must be serviced by qualified personnel only. Service by unqualified personnel may lead to electric shock or burn.
- Remote control enclosure must be mounted on vertical wall and installed in vertical position. Mounting remote control enclosure in horizontal position may result in collection of liquids and lead to electric shock.
- Use only Genuine Hatco Replacement Parts when service is required. Failure to use Genuine Hatco Replacement Parts will void all warranties and may subject operators of the equipment to hazardous electrical voltage, resulting in electrical shock or burn. Genuine Hatco Replacement Parts are specified to operate safely in the environments in which they are used. Some aftermarket or generic replacement parts do not have the characteristics that will allow them to operate safely in Hatco equipment.

**FIRE HAZARD:** Locate unit a minimum of 25 mm (1”) from combustible walls and materials. If safe distances are not maintained, discoloration or combustion could occur.

Make sure food product has been heated to the proper food-safe temperature before placing in unit. Failure to heat food product properly may result in serious health risks. This unit is for holding preheated food product only.

This unit is not intended for use by children or persons with reduced physical, sensory, or mental capabilities. Ensure proper supervision of children and keep them away from the unit.

**WARNING**

Make sure all operators have been instructed on the safe and proper use of the unit.

This unit has no “user-serviceable” parts. If service is required on this unit, contact an Authorized Hatco Service Agent or contact the Hatco Service Department at 414-671-6350; fax 414-671-3976.

**CAUTION**

**BURN HAZARD:** Some exterior surfaces on unit will get hot. Use caution when touching these areas.

Locate unit at proper counter height in an area that is convenient for use. The location should be level to prevent unit or its contents from falling accidentally and strong enough to support the weight of unit and contents.

Do not operate built-in models without control box mounted properly as described in installation instructions.

Do not operate unit without installing supplied legs.

The National Sanitation Foundation (NSF) requires that units over 914 mm (36”) in width or weighing more than 36 kg (80 lbs.) either be sealed to or raised above installation surface. If unit cannot be sealed at the point of use, 102 mm (4”) legs are included to allow for proper cleaning access below unit.

**NOTICE**

Unit is designed and recommended for use in or on metallic countertops. Damage to any countertop material is not covered under the Hatco warranty. For other surfaces, verify with manufacturer that material is suitable for prolonged temperatures up to 93°C (200°F).

Do not modify wiring or cut thermostat capillary wire on control enclosure to increase remote mounting distance. Cutting thermostat capillary wire will cause unit to overheat and may damage unit as well as surrounding countertop.

Do not use excessive force when tightening mounting screws on built-in units. This may damage unit and/or countertop.

Do not lay unit on the side with the control panel. Damage to unit could occur.

Use non-abrasive cleaners and cloths only. Abrasive cleaners and cloths could scratch the finish of the unit, marring its appearance and making it susceptible to soil accumulation.

Install remote mounted control enclosure outside of heat zone. Locating control enclosure inside heat zone will cause control(s) to overheat, malfunction, and fail.

Do not slide pans across hardcoat surface, use rough-bottomed pans, or drop anything on hardcoat surface. Scratching may occur. Damage to hardcoat surface caused by misuse is not covered under warranty.

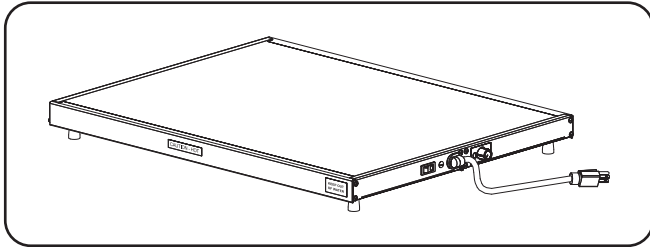
# MODEL DESCRIPTION



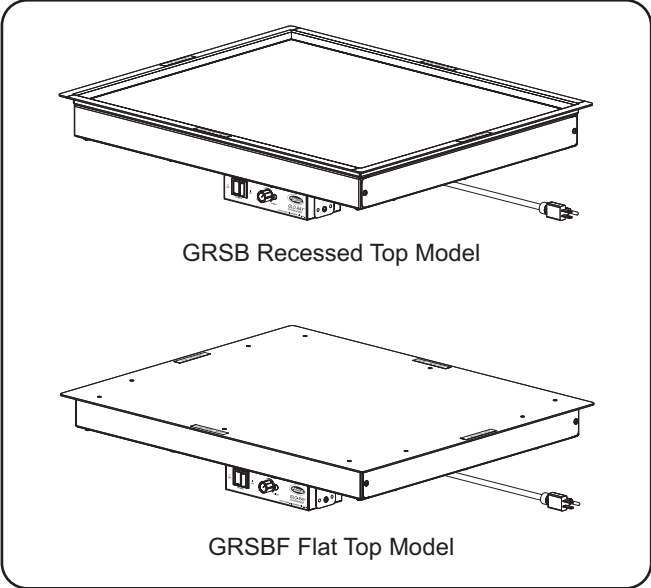
## GRS Models

The GRS Heated Shelf is ideal for pass-through areas, buffet lines, or as a heated work shelf. It features an Power ON/OFF rocker switch with indicator light, adjustable thermostat, and 1829 mm (6') cord with plug. Surface mounted foil elements distribute heat under the entire stainless steel surface or hardcoat aluminum surface.

All GRS models are shipped from the factory completely assembled and ready for use.



GRS Model



GRSB Recessed Top Model

GRSBF Flat Top Model

GRSB and GRSBF Models

## GRSB and GRSBF Models

The GRSB and GRSBF Drop-In Heated Shelves have a hardcoat aluminum top and a blanket-type foil element for uniform heat distribution. Ideal for server-to-customer pass through areas, buffet and cafeteria lines and other self-service areas. The GRSB model features a recessed top. The GRSBF model incorporates a flat design top.

A 914 mm (3') flexible conduit channels the power lines from the shelf to a remote control box. The control box comes with a control thermostat with a range of 27° to 93°C (80° to 200°F), an illuminated on/off switch and mounting brackets. The attached control box can be located up to 914 mm (3') from the unit. A 1829 mm (6') cord and plug is attached to the control box.

The Drop-In Heated Shelf has a 19 mm (3/4") flanged edge that allows the unit to drop into a countertop opening. The shelf is easy to clean with a soft damp cloth or non-abrasive cleaner. All GRSB and GRSBF models are shipped from the factory completely assembled and ready for use.

# MODEL DESIGNATION

**GRSBF - XX - F**

<p>Glo-Ray ———┐</p> <p>Heated Shelf ———┐</p> <p>Built-In ———┐</p> <p>Flat Top ———┐</p> <p>Model Width (inches) ———┐</p>	<p>Heated Depth</p> <p><b>GRS Models</b></p> <p>I = 495 mm (19-1/2")</p> <p>A = 152 mm (6")</p> <p>B = 197 mm (7-3/4")</p> <p>C = 248 mm (9-3/4")</p> <p>D = 305 mm (12")</p> <p>E = 349 mm (13-3/4")</p> <p>F = 394 mm (15-1/2")</p> <p>G = 400 mm (15-3/4")</p> <p>H = 445 mm (17-1/2")</p> <p>J = 546 mm (21-1/2")</p> <p>K = 597 mm (23-1/2")</p> <p>L = 648 mm (25-1/2")</p>	<p><b>GRSB Models</b></p> <p>F = 394 mm (15-1/2")</p> <p>I = 495 mm (19-1/2")</p> <p>O = 762 mm (30")</p> <p><b>GRSBF Models</b></p> <p>F = 432 mm (17")</p> <p>I = 533 mm (21")</p> <p>S = 648 mm (25-1/2")</p> <p>O = 800 mm (31-1/2")</p>
---	---	--

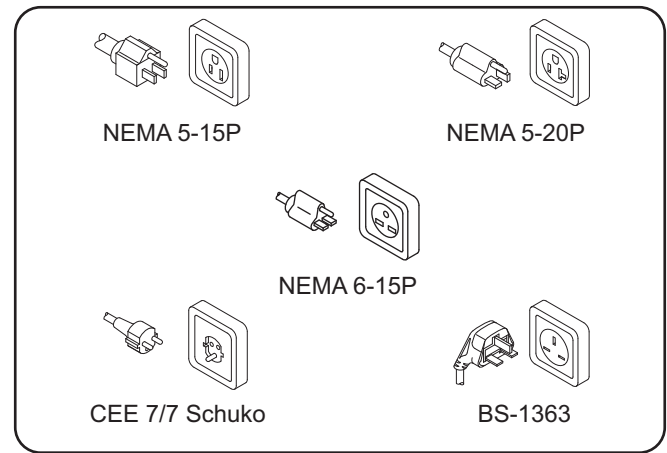
**Plug Configurations**

Units are supplied from the factory with an electrical cord and plug installed. Plugs are supplied according to the application.



**ELECTRIC SHOCK HAZARD: Plug unit into a properly grounded electrical receptacle of the correct voltage, size, and plug configuration. If plug and receptacle do not match, contact a qualified electrician to determine and install the proper voltage and size electrical receptacle.**

*NOTE: The specification label is located on the bottom of GRS models and the bottom of the remote control box on GRSB and GRSBF models. See label for serial number and verification of unit electrical information.*



Plug Configurations

*NOTE: Receptacle not supplied by Hatco.*

**Dimensions — GRS Models**

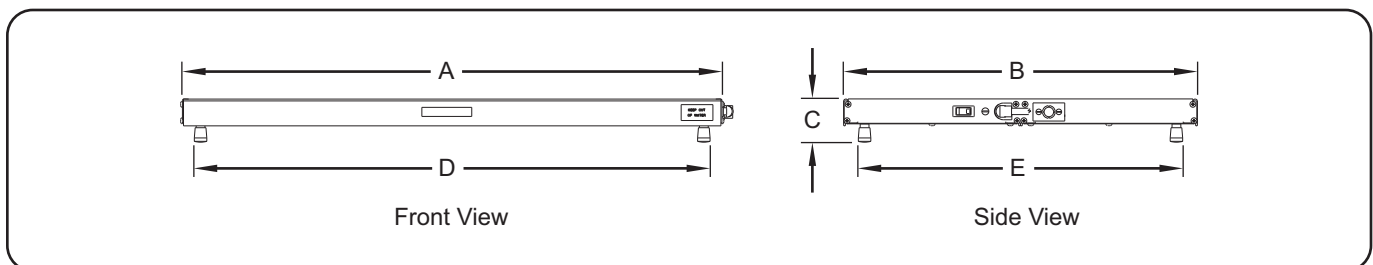
Model	Width (A)	Depth (B)	Height (C)	Footprint Width (D)	Footprint Depth (E)
GRS-18-I	457 mm (18")	495 mm (19-1/2")	57 mm (2-1/4")†	425 mm (16-3/4")	457 mm (18")
GRS-24-I	610 mm (24")	495 mm (19-1/2")	57 mm (2-1/4")†	578 mm (16-3/4")	457 mm (18")
GRS-30-I	762 mm (30")	495 mm (19-1/2")	57 mm (2-1/4")†	730 mm (16-3/4")	457 mm (18")
GRS-36-I	914 mm (36")	495 mm (19-1/2")	57 mm (2-1/4")†	883 mm (16-3/4")	457 mm (18")
GRS-42-I	1067 mm (42")	495 mm (19-1/2")	133 mm (5-1/4")*	1035 mm (16-3/4")	457 mm (18")
GRS-48-I	1219 mm (48")	495 mm (19-1/2")	133 mm (5-1/4")*	1187 mm (16-3/4")	457 mm (18")
GRS-54-I	1372 mm (54")	495 mm (19-1/2")	133 mm (5-1/4")*	1340 mm (16-3/4")	457 mm (18")
GRS-60-I	1524 mm (60")	495 mm (19-1/2")	133 mm (5-1/4")*	1492 mm (16-3/4")	457 mm (18")
GRS-66-I	1676 mm (66")	495 mm (19-1/2")	133 mm (5-1/4")*	1645 mm (16-3/4")	457 mm (18")
GRS-72-I	1829 mm (72")	495 mm (19-1/2")	133 mm (5-1/4")*	1797 mm (16-3/4")	457 mm (18")

† Height includes 25 mm (1") legs.

\* Height includes 4" (102 mm) legs.

*NOTE: All models listed above are based on 495 mm (19-1/2") depth. The additional depths available include:*

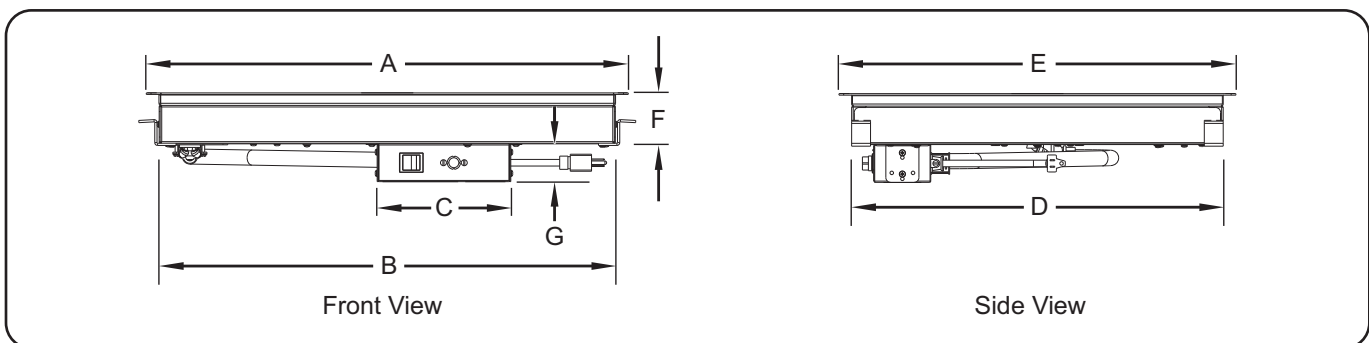
- A = 152 mm (6")      B = 197 mm (7-3/4")      C = 248 mm (9-3/4")      D = 305 mm (12")
- E = 349 mm (13-3/4")      F = 394 mm (15-1/2")      G = 400 mm (15-3/4")      H = 445 mm (17-1/2")
- J = 546 mm (21-1/2")      K = 597 mm (23-1/2")      L = 648 mm (25-1/2")



GRS Model Dimensions

## Dimensions — GRSB Models

Model	Overall Width (A)	Heated Width (B)	Control Box Width (C)	Heated Depth (D)	Overall Depth (E)	Height (F)	Control Box Height (G)
GRSB-24-F	648 mm (25-1/2")	610 mm (24")	184 mm (7-1/4")	394 mm (15-1/2")	432 mm (17")	73 mm (2-7/8")	54 mm (2-1/8")
GRSB-24-I	648 mm (25-1/2")	610 mm (24")	184 mm (7-1/4")	495 mm (19-1/2")	533 mm (21")	73 mm (2-7/8")	54 mm (2-1/8")
GRSB-24-O	648 mm (25-1/2")	610 mm (24")	184 mm (7-1/4")	762 mm (30")	800 mm (31-1/2")	73 mm (2-7/8")	54 mm (2-1/8")
GRSB-30-F	800 mm (31-1/2")	762 mm (30")	184 mm (7-1/4")	394 mm (15-1/2")	432 mm (17")	73 mm (2-7/8")	54 mm (2-1/8")
GRSB-30-I	800 mm (31-1/2")	762 mm (30")	184 mm (7-1/4")	495 mm (19-1/2")	533 mm (21")	73 mm (2-7/8")	54 mm (2-1/8")
GRSB-30-O	800 mm (31-1/2")	762 mm (30")	184 mm (7-1/4")	762 mm (30")	800 mm (31-1/2")	73 mm (2-7/8")	54 mm (2-1/8")
GRSB-36-F	953 mm (37-1/2")	914 mm (36")	184 mm (7-1/4")	394 mm (15-1/2")	432 mm (17")	73 mm (2-7/8")	54 mm (2-1/8")
GRSB-36-I	953 mm (37-1/2")	914 mm (36")	184 mm (7-1/4")	495 mm (19-1/2")	533 mm (21")	73 mm (2-7/8")	54 mm (2-1/8")
GRSB-36-O	953 mm (37-1/2")	914 mm (36")	184 mm (7-1/4")	762 mm (30")	800 mm (31-1/2")	73 mm (2-7/8")	54 mm (2-1/8")
GRSB-42-F	1105 mm (43-1/2")	1067 mm (42")	184 mm (7-1/4")	394 mm (15-1/2")	432 mm (17")	73 mm (2-7/8")	54 mm (2-1/8")
GRSB-42-I	1105 mm (43-1/2")	1067 mm (42")	184 mm (7-1/4")	495 mm (19-1/2")	533 mm (21")	73 mm (2-7/8")	54 mm (2-1/8")
GRSB-42-O	1105 mm (43-1/2")	1067 mm (42")	184 mm (7-1/4")	762 mm (30")	800 mm (31-1/2")	73 mm (2-7/8")	54 mm (2-1/8")
GRSB-48-F	1257 mm (49-1/2")	1219 mm (48")	184 mm (7-1/4")	394 mm (15-1/2")	432 mm (17")	73 mm (2-7/8")	54 mm (2-1/8")
GRSB-48-I	1257 mm (49-1/2")	1219 mm (48")	184 mm (7-1/4")	495 mm (19-1/2")	533 mm (21")	73 mm (2-7/8")	54 mm (2-1/8")
GRSB-48-O	1257 mm (49-1/2")	1219 mm (48")	184 mm (7-1/4")	762 mm (30")	800 mm (31-1/2")	73 mm (2-7/8")	54 mm (2-1/8")
GRSB-54-I	1410 mm (55-1/2")	1372 mm (54")	184 mm (7-1/4")	495 mm (19-1/2")	533 mm (21")	73 mm (2-7/8")	54 mm (2-1/8")
GRSB-60-F	1562 mm (61-1/2")	1524 mm (60")	184 mm (7-1/4")	394 mm (15-1/2")	432 mm (17")	73 mm (2-7/8")	54 mm (2-1/8")
GRSB-60-I	1562 mm (61-1/2")	1524 mm (60")	184 mm (7-1/4")	495 mm (19-1/2")	533 mm (21")	73 mm (2-7/8")	54 mm (2-1/8")
GRSB-60-O	1562 mm (61-1/2")	1524 mm (60")	184 mm (7-1/4")	762 mm (30")	800 mm (31-1/2")	73 mm (2-7/8")	54 mm (2-1/8")
GRSB-66-I	1715 mm (67-1/2")	1676 mm (66")	184 mm (7-1/4")	495 mm (19-1/2")	533 mm (21")	73 mm (2-7/8")	54 mm (2-1/8")
GRSB-72-F	1867 mm (73-1/2")	1829 mm (72")	184 mm (7-1/4")	394 mm (15-1/2")	432 mm (17")	73 mm (2-7/8")	54 mm (2-1/8")
GRSB-72-I	1867 mm (73-1/2")	1829 mm (72")	184 mm (7-1/4")	495 mm (19-1/2")	533 mm (21")	73 mm (2-7/8")	54 mm (2-1/8")
GRSB-72-O	1867 mm (73-1/2")	1829 mm (72")	184 mm (7-1/4")	762 mm (30")	800 mm (31-1/2")	73 mm (2-7/8")	54 mm (2-1/8")



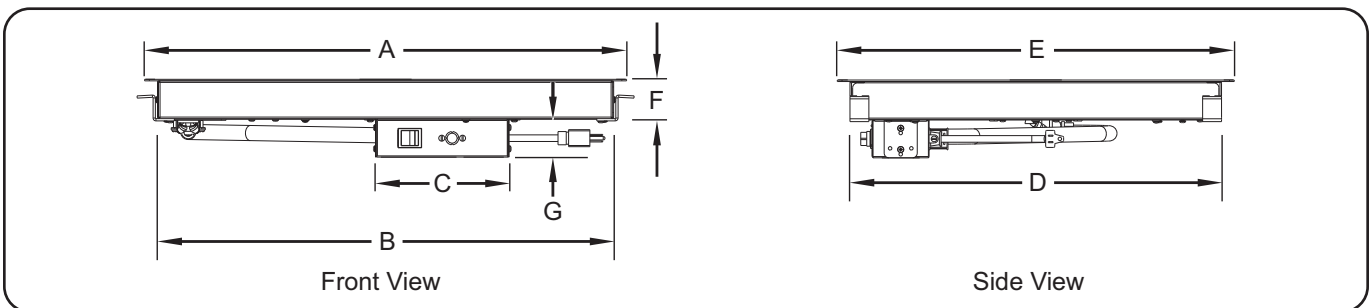
GRSB Model Dimensions

### NOTICE

Refer to the **INSTALLATION** section of this manual for actual countertop cutout dimensions.

Dimensions — GRSBF Models

Model	Overall Width (A)	Heated Width (B)	Control Box Width (C)	Heated Depth (D)	Overall Depth (E)	Height (F)	Control Box Height (G)
GRSBF-18-F	495 mm (19-1/2")	460 mm (18")	184 mm (7-1/4")	394 mm (15-1/2")	432 mm (17")	57 mm (2-1/4")	54 mm (2-1/8")
GRSBF-24-F	648 mm (25-1/2")	610 mm (24")	184 mm (7-1/4")	394 mm (15-1/2")	432 mm (17")	57 mm (2-1/4")	54 mm (2-1/8")
GRSBF-24-I	648 mm (25-1/2")	610 mm (24")	184 mm (7-1/4")	495 mm (19-1/2")	533 mm (21")	57 mm (2-1/4")	54 mm (2-1/8")
GRSBF-24-S	648 mm (25-1/2")	610 mm (24")	184 mm (7-1/4")	460 mm (24")	648 mm (25-1/2")	57 mm (2-1/4")	54 mm (2-1/8")
GRSBF-24-O	648 mm (25-1/2")	610 mm (24")	184 mm (7-1/4")	762 mm (30")	800 mm (31-1/2")	57 mm (2-1/4")	54 mm (2-1/8")
GRSBF-30-F	800 mm (31-1/2")	762 mm (30")	184 mm (7-1/4")	394 mm (15-1/2")	432 mm (17")	57 mm (2-1/4")	54 mm (2-1/8")
GRSBF-30-I	800 mm (31-1/2")	762 mm (30")	184 mm (7-1/4")	495 mm (19-1/2")	533 mm (21")	57 mm (2-1/4")	54 mm (2-1/8")
GRSBF-30-S	800 mm (31-1/2")	762 mm (30")	184 mm (7-1/4")	460 mm (24")	648 mm (25-1/2")	57 mm (2-1/4")	54 mm (2-1/8")
GRSBF-30-O	800 mm (31-1/2")	762 mm (30")	184 mm (7-1/4")	762 mm (30")	800 mm (31-1/2")	57 mm (2-1/4")	54 mm (2-1/8")
GRSBF-36-F	953 mm (37-1/2")	914 mm (36")	184 mm (7-1/4")	394 mm (15-1/2")	432 mm (17")	57 mm (2-1/4")	54 mm (2-1/8")
GRSBF-36-I	953 mm (37-1/2")	914 mm (36")	184 mm (7-1/4")	495 mm (19-1/2")	533 mm (21")	57 mm (2-1/4")	54 mm (2-1/8")
GRSBF-36-S	953 mm (37-1/2")	914 mm (36")	184 mm (7-1/4")	460 mm (24")	648 mm (25-1/2")	57 mm (2-1/4")	54 mm (2-1/8")
GRSBF-36-O	953 mm (37-1/2")	914 mm (36")	184 mm (7-1/4")	762 mm (30")	800 mm (31-1/2")	57 mm (2-1/4")	54 mm (2-1/8")
GRSBF-42-F	1105 mm (43-1/2")	1067 mm (42")	184 mm (7-1/4")	394 mm (15-1/2")	432 mm (17")	57 mm (2-1/4")	54 mm (2-1/8")
GRSBF-42-I	1105 mm (43-1/2")	1067 mm (42")	184 mm (7-1/4")	495 mm (19-1/2")	533 mm (21")	57 mm (2-1/4")	54 mm (2-1/8")
GRSBF-42-S	1105 mm (43-1/2")	1067 mm (42")	184 mm (7-1/4")	460 mm (24")	648 mm (25-1/2")	57 mm (2-1/4")	54 mm (2-1/8")
GRSBF-42-O	1105 mm (43-1/2")	1067 mm (42")	184 mm (7-1/4")	762 mm (30")	800 mm (31-1/2")	57 mm (2-1/4")	54 mm (2-1/8")
GRSBF-48-F	1257 mm (49-1/2")	1219 mm (48")	184 mm (7-1/4")	394 mm (15-1/2")	432 mm (17")	57 mm (2-1/4")	54 mm (2-1/8")
GRSBF-48-I	1257 mm (49-1/2")	1219 mm (48")	184 mm (7-1/4")	495 mm (19-1/2")	533 mm (21")	57 mm (2-1/4")	54 mm (2-1/8")
GRSBF-48-S	1257 mm (49-1/2")	1219 mm (48")	184 mm (7-1/4")	460 mm (24")	648 mm (25-1/2")	57 mm (2-1/4")	54 mm (2-1/8")
GRSBF-48-O	1257 mm (49-1/2")	1219 mm (48")	184 mm (7-1/4")	762 mm (30")	800 mm (31-1/2")	57 mm (2-1/4")	54 mm (2-1/8")
GRSBF-60-F	1562 mm (61-1/2")	1524 mm (60")	184 mm (7-1/4")	394 mm (15-1/2")	432 mm (17")	57 mm (2-1/4")	54 mm (2-1/8")
GRSBF-60-I	1562 mm (61-1/2")	1524 mm (60")	184 mm (7-1/4")	495 mm (19-1/2")	533 mm (21")	57 mm (2-1/4")	54 mm (2-1/8")
GRSBF-60-S	1562 mm (61-1/2")	1524 mm (60")	184 mm (7-1/4")	460 mm (24")	648 mm (25-1/2")	57 mm (2-1/4")	54 mm (2-1/8")
GRSBF-60-O	1562 mm (61-1/2")	1524 mm (60")	184 mm (7-1/4")	762 mm (30")	800 mm (31-1/2")	57 mm (2-1/4")	54 mm (2-1/8")
GRSBF-72-F	1867 mm (73-1/2")	1829 mm (72")	184 mm (7-1/4")	394 mm (15-1/2")	432 mm (17")	57 mm (2-1/4")	54 mm (2-1/8")
GRSBF-72-I	1867 mm (73-1/2")	1829 mm (72")	184 mm (7-1/4")	495 mm (19-1/2")	533 mm (21")	57 mm (2-1/4")	54 mm (2-1/8")
GRSBF-72-S	1867 mm (73-1/2")	1829 mm (72")	184 mm (7-1/4")	460 mm (24")	648 mm (25-1/2")	57 mm (2-1/4")	54 mm (2-1/8")
GRSBF-72-O	1867 mm (73-1/2")	1829 mm (72")	184 mm (7-1/4")	762 mm (30")	800 mm (31-1/2")	57 mm (2-1/4")	54 mm (2-1/8")



GRSBF Model Dimensions

**NOTICE**

Refer to the **INSTALLATION** section of this manual for actual countertop cutout dimensions.

## Electrical Rating Chart — Standard GRS Models

Model †	Voltage	Watts	Amps	Plug Configuration	Shipping Weight
GRS-18-I	100	250	2.5	NEMA 5-15P	7 kg (16 lbs.)
	120	250	2.1	NEMA 5-15P	7 kg (16 lbs.)
	220	228	1.0	CEE 7/7 Schuko	7 kg (16 lbs.)
	240	272	1.1	BS-1363	7 kg (16 lbs.)
	220–230 (CE)	228–250	1.0–1.1	CEE 7/7 Schuko	7 kg (16 lbs.)
	230–240 (CE)	250–272	1.0–1.1	BS-1363	7 kg (16 lbs.)
GRS-24-I	100	350	3.5	NEMA 5-15P	9 kg (20 lbs.)
	120	350	2.9	NEMA 5-15P	9 kg (20 lbs.)
	220	320	1.5	CEE 7/7 Schuko	9 kg (20 lbs.)
	240	380	1.6	BS-1363	9 kg (20 lbs.)
	220–230 (CE)	320–350	1.5–1.6	CEE 7/7 Schuko	9 kg (20 lbs.)
	230–240 (CE)	350–380	1.5–1.6	BS-1363	9 kg (20 lbs.)
GRS-30-I	100	450	4.5	NEMA 5-15P	11 kg (25 lbs.)
	120	450	3.8	NEMA 5-15P	11 kg (25 lbs.)
	220	412	1.9	CEE 7/7 Schuko	11 kg (25 lbs.)
	240	490	2.0	BS-1363	11 kg (25 lbs.)
	220–230 (CE)	412–450	1.9–2.0	CEE 7/7 Schuko	11 kg (25 lbs.)
	230–240 (CE)	450–490	1.9–2.0	BS-1363	11 kg (25 lbs.)
GRS-36-I	100	550	5.5	NEMA 5-15P	13 kg (28 lbs.)
	120	550	4.6	NEMA 5-15P	13 kg (28 lbs.)
	220	504	2.3	CEE 7/7 Schuko	13 kg (28 lbs.)
	240	598	2.5	BS-1363	13 kg (28 lbs.)
	220–230 (CE)	504–550	2.3–2.4	CEE 7/7 Schuko	13 kg (28 lbs.)
	230–240 (CE)	550–598	2.4–2.5	BS-1363	13 kg (28 lbs.)
GRS-42-I	100	600	6.0	NEMA 5-15P	15 kg (32 lbs.)
	120	600	5.0	NEMA 5-15P	15 kg (32 lbs.)
	220	548	2.5	CEE 7/7 Schuko	15 kg (32 lbs.)
	240	652	2.7	BS-1363	15 kg (32 lbs.)
	220–230 (CE)	548–600	2.5–2.6	CEE 7/7 Schuko	15 kg (32 lbs.)
	230–240 (CE)	600–652	2.6–2.7	BS-1363	15 kg (32 lbs.)

The shaded areas contain electrical information for **International models only**.

† All GRS models listed are based on 19-1/2" (495 mm) heated depth. Additional depths available.

*continued...*



**Electrical Rating Chart — Standard GRS Models**

Model †	Voltage	Watts	Amps	Plug Configuration	Shipping Weight
GRS-48-I	100	700	7.0	NEMA 5-15P	16 kg (36 lbs.)
	120	700	5.8	NEMA 5-15P	16 kg (36 lbs.)
	220	640	3.0	CEE 7/7 Schuko	16 kg (36 lbs.)
	240	760	3.2	BS-1363	16 kg (36 lbs.)
	220–230 (CE)	640–700	3.0–3.1	CEE 7/7 Schuko	16 kg (36 lbs.)
	230–240 (CE)	700–760	3.0–3.2	BS-1363	16 kg (36 lbs.)
GRS-54-I	100	800	8.0	NEMA 5-15P	19 kg (42 lbs.)
	120	800	6.7	NEMA 5-15P	19 kg (42 lbs.)
	220	732	3.3	CEE 7/7 Schuko	19 kg (42 lbs.)
	240	870	3.6	BS-1363	19 kg (42 lbs.)
	220–230 (CE)	732–800	3.3–3.5	CEE 7/7 Schuko	19 kg (42 lbs.)
	230–240 (CE)	800–870	3.5–3.6	BS-1363	19 kg (42 lbs.)
GRS-60-I	100	900	9.0	NEMA 5-15P	20 kg (44 lbs.)
	120	900	7.5	NEMA 5-15P	20 kg (44 lbs.)
	220	824	3.7	CEE 7/7 Schuko	20 kg (44 lbs.)
	240	980	4.1	BS-1363	20 kg (44 lbs.)
	220–230 (CE)	824–900	3.7–3.9	CEE 7/7 Schuko	20 kg (44 lbs.)
	230–240 (CE)	900–980	3.9–4.1	BS-1363	20 kg (44 lbs.)
GRS-66-I	100	1000	10.0	NEMA 5-15P	23 kg (50 lbs.)
	120	1000	8.3	NEMA 5-15P	23 kg (50 lbs.)
	220	916	4.2	CEE 7/7 Schuko	23 kg (50 lbs.)
	240	1088	4.5	BS-1363	23 kg (50 lbs.)
	220–230 (CE)	916–1000	4.2–4.3	CEE 7/7 Schuko	23 kg (50 lbs.)
	230–240 (CE)	1000–1088	4.3–4.5	BS-1363	23 kg (50 lbs.)
GRS-72-I	100	1100	11.0	NEMA 5-15P	25 kg (56 lbs.)
	120	1100	9.2	NEMA 5-15P	25 kg (56 lbs.)
	220	1008	4.6	CEE 7/7 Schuko	25 kg (56 lbs.)
	240	1196	5.0	BS-1363	25 kg (56 lbs.)
	220–230 (CE)	1008–1100	4.6–4.8	CEE 7/7 Schuko	25 kg (56 lbs.)
	230–240 (CE)	1100–1196	4.8–5.0	BS-1363	25 kg (56 lbs.)

The shaded areas contain electrical information for **International models only**.

† All GRS models listed are based on 19-1/2" (495 mm) heated depth. Additional depths available.

## Electrical Rating Chart — Standard GRSB Models

Model	Voltage	Watts	Amps	Plug Configuration	Shipping Weight
GRSB-24-F	120	420	3.5	NEMA 5-15P	9 kg (20 lbs.)
	220	384	1.7	CEE 7/7 Schuko	9 kg (20 lbs.)
	240	458	1.9	BS-1363	9 kg (20 lbs.)
GRSB-24-I	100	550	5.5	NEMA 5-15P	10 kg (22 lbs.)
	120	550	4.6	NEMA 5-15P	10 kg (22 lbs.)
	220	550	2.5	CEE 7/7 Schuko	10 kg (22 lbs.)
	240	550	2.3	BS-1363	10 kg (22 lbs.)
	220–230 (CE)	550–601	2.5–2.6	CEE 7/7 Schuko	10 kg (22 lbs.)
	230–240 (CE)	505–550	2.2–2.3	BS-1363	10 kg (22 lbs.)
GRSB-24-O	120	790	6.6	NEMA 5-15P	12 kg (26 lbs.)
	220	722	3.3	CEE 7/7 Schuko	12 kg (26 lbs.)
	240	860	3.4	BS-1363	12 kg (26 lbs.)
GRSB-30-F	120	505	4.2	NEMA 5-15P	10 kg (23 lbs.)
	220	462	2.1	CEE 7/7 Schuko	10 kg (23 lbs.)
	240	550	2.3	BS-1363	10 kg (23 lbs.)
GRSB-30-I	100	665	6.7	NEMA 5-15P	11 kg (25 lbs.)
	120	665	5.6	NEMA 5-15P	11 kg (25 lbs.)
	220	665	3.0	CEE 7/7 Schuko	11 kg (25 lbs.)
	240	665	2.8	BS-1363	11 kg (25 lbs.)
	220–230 (CE)	665–727	3.0–3.2	CEE 7/7 Schuko	11 kg (25 lbs.)
	230–240 (CE)	661–665	2.7–2.8	BS-1363	11 kg (25 lbs.)
GRSB-30-O	120	950	7.9	NEMA 5-15P	13 kg (28 lbs.)
	220	916	4.2	CEE 7/7 Schuko	13 kg (28 lbs.)
	240	985	4.1	BS-1363	13 kg (28 lbs.)
GRSB-36-F	120	590	4.9	NEMA 5-15P	12 kg (26 lbs.)
	220	540	2.5	CEE 7/7 Schuko	12 kg (26 lbs.)
	240	642	2.7	BS-1363	12 kg (26 lbs.)
GRSB-36-I	100	780	7.8	NEMA 5-15P	13 kg (29 lbs.)
	120	780	6.5	NEMA 5-15P	13 kg (29 lbs.)
	220	780	3.5	CEE 7/7 Schuko	13 kg (29 lbs.)
	240	780	3.3	BS-1363	13 kg (29 lbs.)
	220–230 (CE)	780–853	3.5–3.7	CEE 7/7 Schuko	13 kg (29 lbs.)
	230–240 (CE)	716–780	3.1–3.3	BS-1363	13 kg (29 lbs.)
GRSB-36-O	120	1110	9.3	NEMA 5-15P	15 kg (32 lbs.)
	220	1110	5.0	CEE 7/7 Schuko	15 kg (32 lbs.)
	240	1110	4.6	BS-1363	15 kg (32 lbs.)
GRSB-42-F	120	685	5.7	NEMA 5-15P	13 kg (29 lbs.)
	220	627	2.9	CEE 7/7 Schuko	13 kg (29 lbs.)
	240	746	3.1	BS-1363	13 kg (29 lbs.)
GRSB-42-I	100	885	8.9	NEMA 5-15P	15 kg (32 lbs.)
	120	885	7.4	NEMA 5-15P	15 kg (32 lbs.)
	220	885	4.0	CEE 7/7 Schuko	15 kg (32 lbs.)
	240	885	3.7	BS-1363	15 kg (32 lbs.)
	220–230 (CE)	885–967	4.0–4.2	CEE 7/7 Schuko	15 kg (32 lbs.)
	230–240 (CE)	813–885	3.5–3.7	BS-1363	15 kg (32 lbs.)
GRSB-42-O	120	1270	10.6	NEMA 5-15P	16 kg (35 lbs.)
	220	1236	5.6	CEE 7/7 Schuko	16 kg (35 lbs.)
	240	1305	5.4	BS-1363	16 kg (35 lbs.)

The shaded areas contain electrical information for **International models only**.

*continued...*

**Electrical Rating Chart — Standard GRSB Models**

Model	Voltage	Watts	Amps	Plug Configuration	Shipping Weight
GRSB-48-F	120	770	6.4	NEMA 5-15P	15 kg (33 lbs.)
	220	705	3.2	CEE 7/7 Schuko	15 kg (33 lbs.)
	240	828	3.5	BS-1363	15 kg (33 lbs.)
GRSB-48-I	100	1000	10.0	NEMA 5-15P	16 kg (36 lbs.)
	120	1000	8.3	NEMA 5-15P	16 kg (36 lbs.)
	220	1000	4.5	CEE 7/7 Schuko	16 kg (36 lbs.)
	240	1000	4.2	BS-1363	16 kg (36 lbs.)
	220-230 (CE)	1000-1093	4.5-4.7	CEE 7/7 Schuko	16 kg (36 lbs.)
	230-240 (CE)	918-1000	4.0-4.2	BS-1363	16 kg (36 lbs.)
GRSB-48-O	120	1430	11.9	NEMA 5-15P	18 kg (39 lbs.)
	220	1430	6.5	CEE 7/7 Schuko	18 kg (39 lbs.)
	240	1430	6.0	BS-1363	18 kg (39 lbs.)
GRSB-54-I	100	1110	11.1	NEMA 5-15P	20 kg (43 lbs.)
	120	1110	9.3	NEMA 5-15P	20 kg (43 lbs.)
	220	1110	5.0	CEE 7/7 Schuko	20 kg (43 lbs.)
	240	1110	4.6	BS-1363	20 kg (43 lbs.)
	220-230 (CE)	1110-1213	5.0-5.3	CEE 7/7 Schuko	20 kg (43 lbs.)
	230-240 (CE)	1019-1110	4.4-4.6	BS-1363	20 kg (43 lbs.)
GRSB-60-F	120	950	7.9	NEMA 5-15P	20 kg (45 lbs.)
	220	870	4.0	CEE 7/7 Schuko	20 kg (45 lbs.)
	240	1034	4.3	BS-1363	20 kg (45 lbs.)
GRSB-60-I	100	1220	12.2	NEMA 5-15P	23 kg (50 lbs.)
	120	1220	10.2	NEMA 5-15P	23 kg (50 lbs.)
	220	1220	5.5	CEE 7/7 Schuko	23 kg (50 lbs.)
	240	1220	5.1	BS-1363	23 kg (50 lbs.)
	220-230 (CE)	1220-1333	5.5-5.8	CEE 7/7 Schuko	23 kg (50 lbs.)
	230-240 (CE)	1120-1220	4.9-5.1	BS-1363	23 kg (50 lbs.)
GRSB-60-O	120	1750	14.6	NEMA 5-15P	24 kg (54 lbs.)
	220	1750	8.0	CEE 7/7 Schuko	24 kg (54 lbs.)
	240	1750	7.3	BS-1363	24 kg (54 lbs.)
GRSB-66-I	120	1330	11.1	NEMA 5-15P	25 kg (54 lbs.)
	220	1330	6.0	CEE 7/7 Schuko	25 kg (54 lbs.)
	240	1330	5.5	BS-1363	25 kg (54 lbs.)
	220-230 (CE)	1330-1454	6.0-6.3	CEE 7/7 Schuko	25 kg (54 lbs.)
	230-240 (CE)	1221-1330	5.3-5.5	BS-1363	25 kg (54 lbs.)
GRSB-72-F	120	1130	9.4	NEMA 5-15P	24 kg (52 lbs.)
	220	1034	4.7	CEE 7/7 Schuko	24 kg (52 lbs.)
	240	1230	5.1	BS-1363	24 kg (52 lbs.)
GRSB-72-I	120	1440	12.0	NEMA 5-15P	26 kg (58 lbs.)
	220	1440	6.5	CEE 7/7 Schuko	26 kg (58 lbs.)
	240	1440	6.0	BS-1363	26 kg (58 lbs.)
	220-230 (CE)	1440-1574	6.5-6.8	CEE 7/7 Schuko	26 kg (58 lbs.)
	230-240 (CE)	1322-1440	5.8-6.0	BS-1363	26 kg (58 lbs.)
GRSB-72-O	208	2070	10.0	NEMA 6-15P	29 kg (64 lbs.)
	240	2070	8.6	NEMA 6-15P	29 kg (64 lbs.)
	220	2070	9.4	CEE 7/7 Schuko	29 kg (64 lbs.)
	240	2070	8.6	BS-1363	29 kg (64 lbs.)

The shaded areas contain electrical information for **International models only**.

## Electrical Rating Chart — Standard GRSBF Models

Model	Voltage	Watts	Amps	Plug Configuration	Shipping Weight
GRSBF-18-F	120	330	2.8	NEMA 5-15P	7 kg (15 lbs.)
GRSBF-24-F	120	420	3.5	NEMA 5-15P	9 kg (20 lbs.)
GRSBF-24-I	100	550	5.5	NEMA 5-15P	10 kg (22 lbs.)
	120	550	4.6	NEMA 5-15P	10 kg (22 lbs.)
GRSBF-24-S	120	700	5.8	NEMA 5-15P	11 kg (24 lbs.)
	220	640	2.9	CEE 7/7 Schuko	11 kg (24 lbs.)
	240	762	3.2	BS-1363	11 kg (24 lbs.)
GRSBF-24-O	120	790	6.6	NEMA 5-15P	12 kg (26 lbs.)
GRSBF-30-F	120	505	4.2	NEMA 5-15P	10 kg (23 lbs.)
GRSBF-30-I	100	665	6.7	NEMA 5-15P	11 kg (25 lbs.)
	120	665	5.5	NEMA 5-15P	11 kg (25 lbs.)
GRSBF-30-S	120	825	6.9	NEMA 5-15P	12 kg (26 lbs.)
	220	755	3.4	CEE 7/7 Schuko	12 kg (26 lbs.)
	240	898	3.7	BS-1363	12 kg (26 lbs.)
GRSBF-30-O	120	950	7.9	NEMA 5-15P	13 kg (28 lbs.)
GRSBF-36-F	120	590	4.9	NEMA 5-15P	12 kg (26 lbs.)
GRSBF-36-I	100	780	7.8	NEMA 5-15P	13 kg (26 lbs.)
	120	780	6.5	NEMA 5-15P	13 kg (26 lbs.)
GRSBF-36-S	120	950	7.9	NEMA 5-15P	15 kg (31 lbs.)
	220	870	4.0	CEE 7/7 Schuko	15 kg (31 lbs.)
	240	1034	4.3	BS-1363	15 kg (31 lbs.)
GRSBF-36-O	120	1110	9.3	NEMA 5-15P	15 kg (32 lbs.)
	240	1110	4.6	NEMA 6-15P	15 kg (32 lbs.)
	220–230 (CE)	1110–1213	5.0–5.3	CEE 7/7 Schuko	15 kg (32 lbs.)
	230–240 (CE)	1020–1110	4.4–4.6	BS-1363	15 kg (32 lbs.)
GRSBF-42-F	120	685	5.7	NEMA 5-15P	13 kg (29 lbs.)
GRSBF-42-I	100	885	8.9	NEMA 5-15P	15 kg (32 lbs.)
	120	885	7.4	NEMA 5-15P	15 kg (32 lbs.)
GRSBF-42-S	120	1100	9.2	NEMA 5-15P	15 kg (34 lbs.)
	220	1006	4.6	CEE 7/7 Schuko	15 kg (34 lbs.)
	240	1198	5.0	BS-1363	15 kg (34 lbs.)
GRSBF-42-O	120	1270	10.6	NEMA 5-15P	16 kg (35 lbs.)
GRSBF-48-F	120	770	6.4	NEMA 5-15P	15 kg (33 lbs.)
GRSBF-48-I	100	1000	10.0	NEMA 5-15P	16 kg (36 lbs.)
	120	1000	8.3	NEMA 5-15P	16 kg (36 lbs.)
GRSBF-48-S	120	1225	10.2	NEMA 5-15P	17 kg (38 lbs.)
	220	1121	5.1	CEE 7/7 Schuko	17 kg (38 lbs.)
	240	1334	5.6	BS-1363	17 kg (38 lbs.)
GRSBF-48-O	120	1430	11.9	NEMA 5-15P	18 kg (39 lbs.)
	240	1430	6.0	NEMA 6-15P	18 kg (39 lbs.)
	220–230 (CE)	1430–1562	6.5–6.8	CEE 7/7 Schuko	18 kg (39 lbs.)
	230–240 (CE)	1313–1430	5.7–6.0	BS-1363	18 kg (39 lbs.)

The shaded areas contain electrical information for **International models only**.

*continued...*

**Electrical Rating Chart — Standard GRSBF Models**

Model	Voltage	Watts	Amps	Plug Configuration	Shipping Weight
GRSBF-60-F	120	950	7.9	NEMA 5-15P	20 kg (45 lbs.)
GRSBF-60-I	100	1220	12.2	NEMA 5-15P	23 kg (50 lbs.)
	120	1220	10.2	NEMA 5-15P	23 kg (50 lbs.)
GRSBF-60-S	120	1500	12.5	NEMA 5-20P	24 kg (53 lbs.)
	220	1372	6.2	CEE 7/7 Schuko	24 kg (53 lbs.)
	240	1634	6.8	BS-1363	24 kg (53 lbs.)
GRSBF-60-O	120	1750	14.6	NEMA 5-20P	25 kg (54 lbs.)
	240	1750	7.3	NEMA 6-15P	25 kg (54 lbs.)
	220–230 (CE)	1750–1912	8.0–8.3	CEE 7/7 Schuko	25 kg (54 lbs.)
	230–240 (CE)	1607–1750	7.0–7.3	BS-1363	25 kg (54 lbs.)
GRSBF-72-F	120	1130	9.4	NEMA 5-15P	24 kg (52 lbs.)
GRSBF-72-I	100	1440	14.4	NEMA 5-15P	26 kg (58 lbs.)
	120	1440	12.0	NEMA 5-15P	26 kg (58 lbs.)
GRSBF-72-S	120	1750	14.6	NEMA 5-20P	28 kg (62 lbs.)
	220	1602	7.3	CEE 7/7 Schuko	28 kg (62 lbs.)
	240	1906	7.9	BS-1363	28 kg (62 lbs.)
GRSBF-72-O	208	2070	10.0	NEMA 6-15P	29 kg (64 lbs.)
	240	2070	8.6	NEMA 6-15P	29 kg (64 lbs.)
	220–230 (CE)	2070–2262	9.4–9.8	CEE 7/7 Schuko	29 kg (64 lbs.)
	230–240 (CE)	1901–2070	8.3–8.6	BS-1363	29 kg (64 lbs.)

The shaded areas contain electrical information for **International models only**.

**INSTALLATION**

**General**

Use the following procedures to install the GRS, GRSB, and GRSBF units.



**FIRE HAZARD:** Locate unit a minimum of 25 mm (1") from combustible walls and materials. If safe distances are not maintained, discoloration or combustion could occur.



Locate unit at proper counter height in an area that is convenient for use. The location should be level to prevent unit or its contents from falling accidentally and strong enough to support the weight of unit and contents.

Do not operate built-in models without control box mounted properly as described in the installation instructions.

Do not operate unit without installing supplied legs.

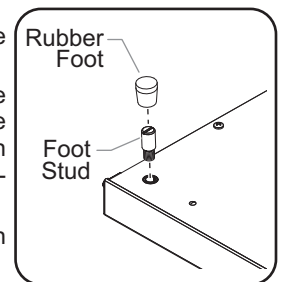
The National Sanitation Foundation (NSF) requires that units over 914 mm (36") in width or weighing more than 36 kg (80 lbs.) either be sealed to or raised above the installation surface. If unit cannot be sealed at the point of use, 102 mm (4") legs are included to allow for proper cleaning access below unit.

**GRS Models**

1. Remove the unit from the carton and place it upside down on the cardboard.

*NOTE:* To prevent delay in obtaining warranty coverage, complete online warranty registration. See the IMPORTANT OWNER INFORMATION section for details.

2. Install the 25 mm (1") legs to the unit.
  - a. Thread a foot stud into the hole at each corner on the bottom of the unit. Tighten securely, but do not over-tighten.
  - b. Slip a rubber foot over each foot stud.



*NOTE:* If 102 mm (4") legs are required, refer to the OPTIONS AND ACCESSORIES section in this manual for installation instructions.

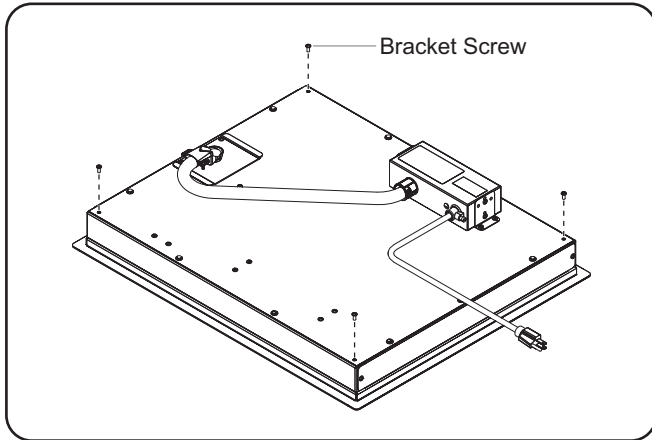
3. Turn unit upright, and place unit in the desired location.
  - Locate the unit in an area where the ambient air temperature is constant and a minimum of 21°C (70°F). Avoid areas that may be subject to active air movements or currents (i.e., near exterior doors, exhaust fans/hoods, air conditioning ducts, etc..).
  - Make sure the unit is at the proper counter height in an area convenient for use.
  - Make sure the countertop is level and strong enough to support the weight of the unit and food product.
  - Make sure all the feet on the bottom of the unit are positioned securely on the countertop.

## GRSB and GRSBF Models

1. Remove the unit from the carton and place it upside down on the cardboard.

**NOTE:** To prevent delay in obtaining warranty coverage, complete online warranty registration. See the IMPORTANT OWNER INFORMATION section for details.

2. Remove and save the bracket screws from the underside of the unit.



Underside of GRSB Models

**NOTE:** The control box may be moved to the most convenient location on the underside of the unit. For semi-remote installations, leave the control box in place until the unit is placed into the countertop.

### NOTICE

Unit is designed and recommended for use in or on metallic countertops. Damage to any countertop material is not covered under the Hatco warranty. For other surfaces, verify with manufacturer that material is suitable for prolonged temperatures up to 93°C (200°F).

3. Prepare countertop opening. Refer to the appropriate "Countertop Cutout" chart on the following pages for recommended countertop cutout dimensions.
4. Apply a bead of NSF-approved sealant between the countertop material and the mounting flange on the unit. The sealant must be rated for use at a minimum temperature of 121°C (250°F).
5. Place the unit into the countertop opening.
6. Assemble the Z-brackets to the underside of the unit using the four bracket screws removed earlier in this procedure.

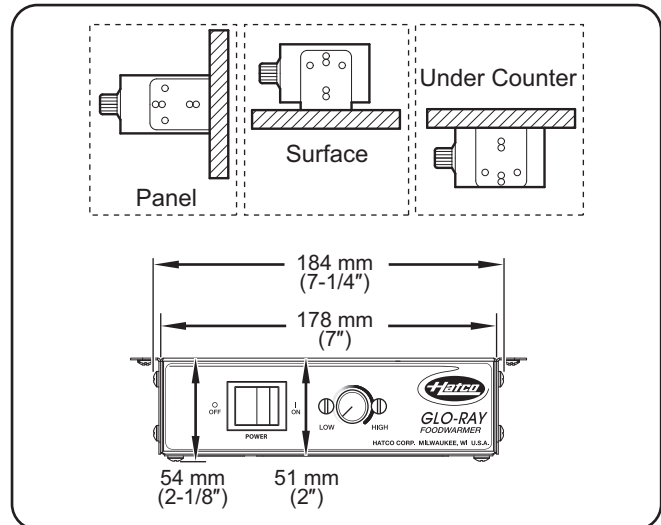
**NOTE:** Units 1219 mm (48") or longer require two additional Z-brackets installed midway along the front and rear of the unit.

7. Adjust the mounting screws on the Z-brackets until the top flange lies flat on the countertop.

### NOTICE

Do not use excessive force when tightening mounting screws on built-in units. This may damage unit and/or countertop.

8. Remove any excess sealant.
9. If desired or necessary, the control box can be mounted in a semi-remote location.
  - a. Remove the control box from the bottom of the unit.
  - b. If necessary, remove the end brackets from the control box, rotate/reposition, and re-secure to the control box.
  - c. The control box can be panel, surface, under counter, or recess mounted.



Control Box Mounting Options

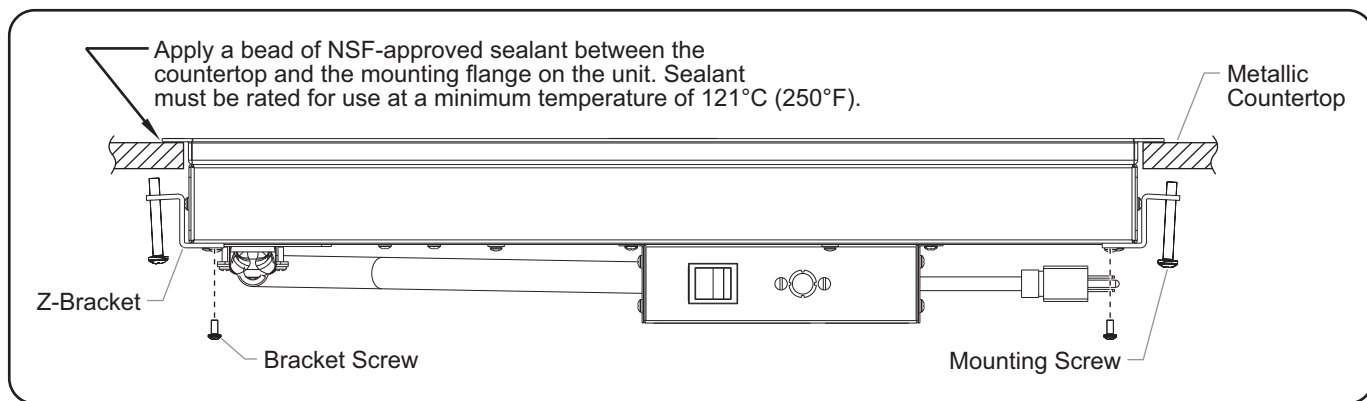
- d. The distance the control box can be mounted from the unit is determined by the 36" (914 mm) conduit. Do not pull the conduit tight to increase the mounting distance. The conduit should have some slack after the control box is mounted.

### NOTICE

Do not modify wiring or cut thermostat capillary wire on control enclosure to increase-remote mounting distance. Cutting thermostat capillary wire will cause unit to overheat and may damage unit as well as surrounding countertop.

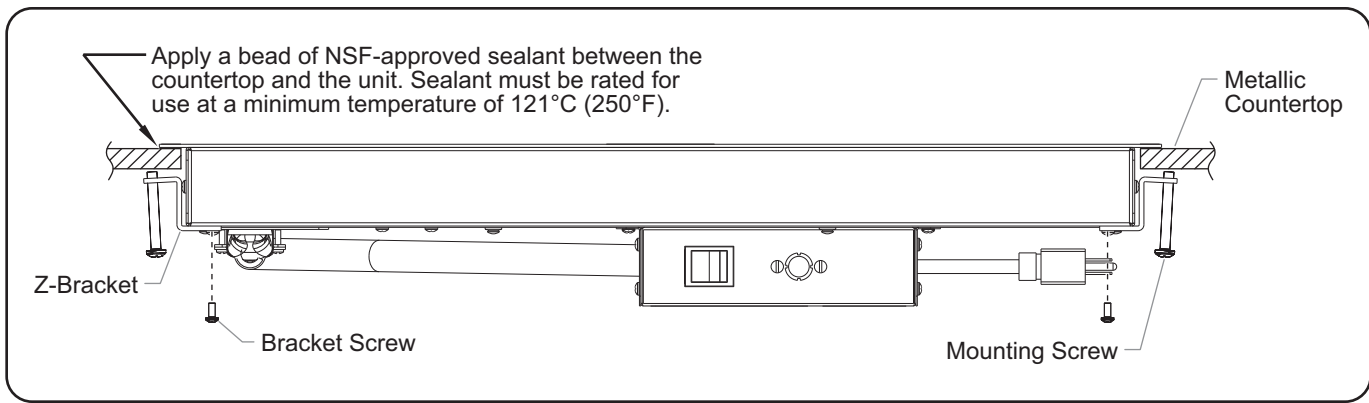
10. Once all components are secured, proceed to the OPERATION section.

**NOTE:** A 1829 mm (6') cord is supplied with this unit; any excess cord should be routed neatly so it does not hang down.



GRSB Model Installation

Countertop Cutout — GRSB Models		
Model	Width	Depth
GRSB-24-F	622 mm (24-1/2") – 629 mm (24-3/4")	406 mm (16") – 413 mm (16-1/4")
GRSB-24-I	622 mm (24-1/2") – 629 mm (24-3/4")	508 mm (20") – 413 mm (20-1/4")
GRSB-24-O	622 mm (24-1/2") – 629 mm (24-3/4")	775 mm (30-1/2") – 781 mm (30-3/4")
GRSB-30-F	775 mm (30-1/2") – 781 mm (30-3/4")	406 mm (16") – 413 mm (16-1/4")
GRSB-30-I	775 mm (30-1/2") – 781 mm (30-3/4")	508 mm (20") – 413 mm (20-1/4")
GRSB-30-O	775 mm (30-1/2") – 781 mm (30-3/4")	775 mm (30-1/2") – 781 mm (30-3/4")
GRSB-36-F	927 mm (36-1/2") – 934 mm (36-3/4")	406 mm (16") – 413 mm (16-1/4")
GRSB-36-I	927 mm (36-1/2") – 934 mm (36-3/4")	508 mm (20") – 413 mm (20-1/4")
GRSB-36-O	927 mm (36-1/2") – 934 mm (36-3/4")	775 mm (30-1/2") – 781 mm (30-3/4")
GRSB-42-F	1080 mm (42-1/2") – 1086 mm (42-3/4")	406 mm (16") – 413 mm (16-1/4")
GRSB-42-I	1080 mm (42-1/2") – 1086 mm (42-3/4")	508 mm (20") – 413 mm (20-1/4")
GRSB-42-O	1080 mm (42-1/2") – 1086 mm (42-3/4")	775 mm (30-1/2") – 781 mm (30-3/4")
GRSB-48-F	1232 mm (48-1/2") – 1238 mm (48-3/4")	406 mm (16") – 413 mm (16-1/4")
GRSB-48-I	1232 mm (48-1/2") – 1238 mm (48-3/4")	508 mm (20") – 413 mm (20-1/4")
GRSB-48-O	1232 mm (48-1/2") – 1238 mm (48-3/4")	775 mm (30-1/2") – 781 mm (30-3/4")
GRSB-54-I	1384 mm (54-1/2") – 1391 mm (54-3/4")	508 mm (20") – 413 mm (20-1/4")
GRSB-60-F	1537 mm (60-1/2") – 1543 mm (60-3/4")	406 mm (16") – 413 mm (16-1/4")
GRSB-60-I	1537 mm (60-1/2") – 1543 mm (60-3/4")	508 mm (20") – 413 mm (20-1/4")
GRSB-60-O	1537 mm (60-1/2") – 1543 mm (60-3/4")	775 mm (30-1/2") – 781 mm (30-3/4")
GRSB-66-I	1689 mm (66-1/2") – 1696 mm (66-3/4")	508 mm (20") – 413 mm (20-1/4")
GRSB-72-F	1842 mm (72-1/2") – 1848 mm (72-3/4")	406 mm (16") – 413 mm (16-1/4")
GRSB-72-I	1842 mm (72-1/2") – 1848 mm (72-3/4")	508 mm (20") – 413 mm (20-1/4")
GRSB-72-O	1842 mm (72-1/2") – 1848 mm (72-3/4")	775 mm (30-1/2") – 781 mm (30-3/4")



GRSEF Model Installation

## Countertop Cutout — GRSEF Models

Model	Width	Depth
GRSEF-18-F	470 mm (18-1/2") – 476 mm (18-3/4")	406 mm (16") – 413 mm (16-1/4")
GRSEF-24-F	622 mm (24-1/2") – 629 mm (24-3/4")	406 mm (16") – 413 mm (16-1/4")
GRSEF-24-I	622 mm (24-1/2") – 629 mm (24-3/4")	508 mm (20") – 514 mm (20-1/4")
GRSEF-24-S	622 mm (24-1/2") – 629 mm (24-3/4")	622 mm (24-1/2") – 629 mm (24-3/4")
GRSEF-24-O	622 mm (24-1/2") – 629 mm (24-3/4")	775 mm (30-1/2") – 781 mm (30-3/4")
GRSEF-30-F	775 mm (30-1/2") – 781 mm (30-3/4")	406 mm (16") – 413 mm (16-1/4")
GRSEF-30-I	775 mm (30-1/2") – 781 mm (30-3/4")	508 mm (20") – 514 mm (20-1/4")
GRSEF-30-S	775 mm (30-1/2") – 781 mm (30-3/4")	622 mm (24-1/2") – 629 mm (24-3/4")
GRSEF-30-O	775 mm (30-1/2") – 781 mm (30-3/4")	775 mm (30-1/2") – 781 mm (30-3/4")
GRSEF-36-F	927 mm (36-1/2") – 934 mm (36-3/4")	406 mm (16") – 413 mm (16-1/4")
GRSEF-36-I	927 mm (36-1/2") – 934 mm (36-3/4")	508 mm (20") – 514 mm (20-1/4")
GRSEF-36-S	927 mm (36-1/2") – 934 mm (36-3/4")	622 mm (24-1/2") – 629 mm (24-3/4")
GRSEF-36-O	927 mm (36-1/2") – 934 mm (36-3/4")	775 mm (30-1/2") – 781 mm (30-3/4")
GRSEF-42-F	1080 mm (42-1/2") – 1086 mm (42-3/4")	406 mm (16") – 413 mm (16-1/4")
GRSEF-42-I	1080 mm (42-1/2") – 1086 mm (42-3/4")	508 mm (20") – 514 mm (20-1/4")
GRSEF-42-S	1080 mm (42-1/2") – 1086 mm (42-3/4")	622 mm (24-1/2") – 629 mm (24-3/4")
GRSEF-42-O	1080 mm (42-1/2") – 1086 mm (42-3/4")	775 mm (30-1/2") – 781 mm (30-3/4")
GRSEF-48-F	1232 mm (48-1/2") – 1238 mm (48-3/4")	406 mm (16") – 413 mm (16-1/4")
GRSEF-48-I	1232 mm (48-1/2") – 1238 mm (48-3/4")	508 mm (20") – 514 mm (20-1/4")
GRSEF-48-S	1232 mm (48-1/2") – 1238 mm (48-3/4")	622 mm (24-1/2") – 629 mm (24-3/4")
GRSEF-48-O	1232 mm (48-1/2") – 1238 mm (48-3/4")	775 mm (30-1/2") – 781 mm (30-3/4")
GRSEF-60-F	1537 mm (60-1/2") – 1543 mm (60-3/4")	406 mm (16") – 413 mm (16-1/4")
GRSEF-60-I	1537 mm (60-1/2") – 1543 mm (60-3/4")	508 mm (20") – 514 mm (20-1/4")
GRSEF-60-S	1537 mm (60-1/2") – 1543 mm (60-3/4")	622 mm (24-1/2") – 629 mm (24-3/4")
GRSEF-60-O	1537 mm (60-1/2") – 1543 mm (60-3/4")	775 mm (30-1/2") – 781 mm (30-3/4")
GRSEF-72-F	1842 mm (72-1/2") – 1848 mm (72-3/4")	406 mm (16") – 413 mm (16-1/4")
GRSEF-72-I	1842 mm (72-1/2") – 1848 mm (72-3/4")	508 mm (20") – 514 mm (20-1/4")
GRSEF-72-S	1842 mm (72-1/2") – 1848 mm (72-3/4")	622 mm (24-1/2") – 629 mm (24-3/4")
GRSEF-72-O	1842 mm (72-1/2") – 1848 mm (72-3/4")	775 mm (30-1/2") – 781 mm (30-3/4")



## General

Use the following procedure to turn on and operate the GRS, GRSB, and GRSBF units.

### ⚠ WARNING

Read all safety messages in the **IMPORTANT SAFETY INFORMATION** section before operating this equipment.

1. Plug unit into a properly grounded electrical receptacle of the correct voltage, size, and plug configuration. Refer to the SPECIFICATIONS section in this manual for details.
2. Move the Power On/Off (I/O) switch to the On (I) position.

### ⚠ CAUTION

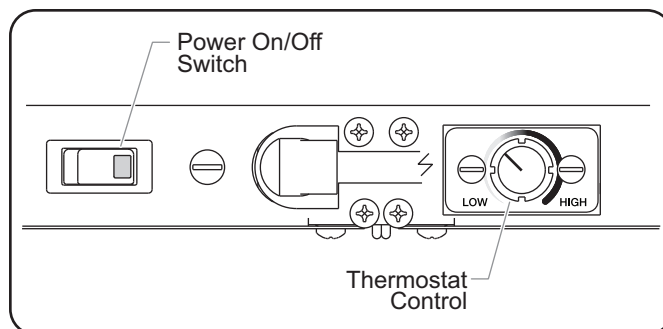
**BURN HAZARD:** Some exterior surfaces on unit will get hot. Use caution when touching these areas.

3. Turn the thermostat control to the desired temperature setting.

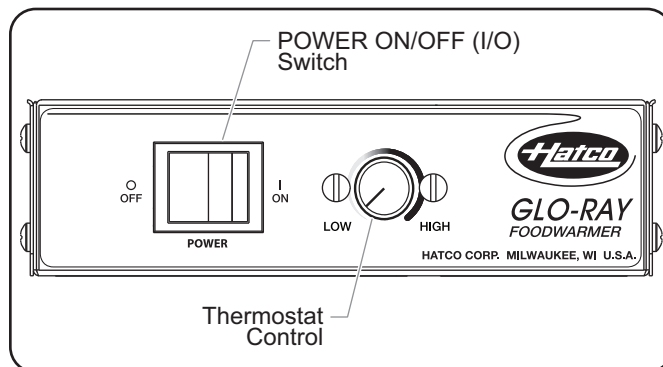
*NOTE: Turning the thermostat control knob clockwise will increase the temperature setting. Turning the thermostat control knob counterclockwise will decrease the temperature setting.*

4. Allow the unit 30 minutes to reach operating temperature.

*NOTE: Refer to the OPTIONS AND ACCESSORIES section for installation and operation information for GRSB and GRSBF units equipped with a flush-style remote mounted control enclosure.*



Control Panel — GRS Model



Control Panel — GRSB and GRSBF Models

## MAINTENANCE

### General

Hatco Glo-Ray Heated Shelf units are designed for maximum durability and performance with minimum maintenance.

### ⚠ WARNING

#### ELECTRIC SHOCK HAZARD:

- Turn OFF power switch, unplug power cord, and allow unit to cool before performing any cleaning, adjustments, or maintenance.
- DO NOT submerge or saturate with water. Unit is not waterproof. Do not operate if unit has been submerged or saturated with water.
- This unit is not “jet-proof” construction. Do not use jet-clean spray to clean this unit.
- Do not steam clean or use excessive water on unit.
- Do not clean unit when it is energized or hot.

Use only Genuine Hatco Replacement Parts when service is required. Failure to use Genuine Hatco Replacement Parts will void all warranties and may subject operators of the equipment to hazardous electrical voltage, resulting in electrical shock or burn. Genuine Hatco Replacement Parts are specified to operate safely in the environments in which they are used. Some aftermarket or generic replacement parts do not have the characteristics that will allow them to operate safely in Hatco equipment.

### ⚠ WARNING

This unit has no “user-serviceable” parts. If service is required on this unit, contact an Authorized Hatco Service Agent or contact the Hatco Service Department at 414-671-6350; fax 414-671-3976.

### Cleaning

To preserve the finish of the Glo-Ray Heated Shelf, it is recommended that all surfaces be cleaned daily.

### NOTICE

Use non-abrasive cleaners and cloths only. Abrasive cleaners and cloths could scratch the finish of the unit, marring its appearance and making it susceptible to soil accumulation.

1. Turn off the unit, unplug the power cord, and allow the unit to cool.
2. Remove and wash all food pans, if necessary.
3. Wipe down all metal surfaces with a non-abrasive, damp cloth. Stubborn stains may be removed with a good stainless steel or non-abrasive cleaner. Clean hard to reach areas using a small brush and mild soap.
4. Wipe dry all surfaces using a non-abrasive, dry cloth.

**⚠ WARNING**

This unit must be serviced by qualified personnel only. Service by unqualified personnel may lead to electric shock or burn.

**⚠ WARNING**

**ELECTRIC SHOCK HAZARD:** Turn OFF power switch, unplug power cord/turn off power at circuit breaker, and allow unit to cool before performing any cleaning, adjustments, or maintenance.

Symptom	Probable Cause	Corrective Action
Unit too hot.	Thermostat control set too high.	Adjust thermostat control to a lower setting.
	Thermostat control stuck in the "on" position.	Contact Authorized Service Agent or Hatco for assistance.
	Unit plugged into an incorrect power supply.	Verify with qualified personnel that power supply matches unit specification.
Unit not hot enough.	Thermostat control set too low.	Adjust thermostat control to a higher setting.
	Location of unit is susceptible to air currents (air conditioning ducts or exhaust fans).	Block air currents or relocate unit.
Unit not working at all.	Unit not plugged in.	Plug unit into proper power supply.
	Unit not turned on.	Move POWER ON/OFF (I/O) switch to the ON (I) position.
	POWER ON/OFF (I/O) switch is not functioning.	Contact Authorized Service Agent or Hatco for assistance.
	Heating element is burned out.	Contact Authorized Service Agent or Hatco for assistance.
	Thermostat control is defective.	Contact Authorized Service Agent or Hatco for assistance.

## OPTIONS AND ACCESSORIES

### 102 mm (4") Adjustable Legs (GRS Models)

Use the following procedure to install 102 mm (4") adjustable legs on a GRS model.

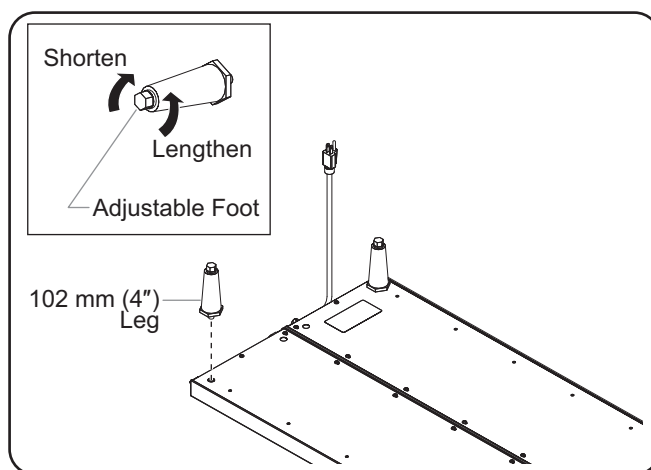
*NOTE: 102 mm (4") legs are standard on models 1067 mm (42") and wider.*

1. Turn off the unit, unplug the power cord, and allow the unit to cool.

**NOTICE**

**Do not lay unit on the side with the control panel. Damage to unit could occur.**

2. Carefully turn the unit upside down and lay the unit on a flat surface. Make sure to cover the surface with something to prevent scratching the unit.
3. At each corner, thread a 102 mm (4") leg into the bottom of the unit. Hand-tighten until snug. Do not over-tighten.
4. Return the unit to the upright position.



Leg Installation

*NOTE: The feet on the 102 mm (4") legs are adjustable for leveling the unit. Use a 14 mm (9/16") open-end wrench to make leveling adjustments once the unit is placed in its final position.*

### Remote Mounted Control Enclosures (GRSB and GRSBF models)

Two flush-style remote mounted control enclosures are available for the GRSB and GRSBF units — the mechanical Thermostat Control enclosure and the digital Indicating Temperature Control (ITC) enclosure. Both control enclosures are installed using the following procedure.



**ELECTRIC SHOCK HAZARD:** Remote control enclosure must be mounted on vertical wall and installed in vertical position. Mounting remote control enclosure in horizontal position may result in collection of liquids and lead to electric shock.



Install remote mounted control enclosure outside of the heat zone. Locating the control enclosure inside the heat zone will cause the control(s) to overheat, malfunction, and fail.

Do not modify wiring or cut thermostat capillary wire on control enclosure to increase semi-remote mounting distance. Cutting thermostat capillary wire will cause unit to overheat and may damage unit as well as surrounding countertop.

*NOTE: A qualified electrician is recommended for connecting the units to a power source.*

1. Prepare cutout and pre-drill screw holes (see illustration below for dimensions).
2. Remove trim cover from control enclosure.
3. Position control enclosure into opening through the backside.
4. Secure control enclosure to surface using screws (not supplied).
5. Connect proper power source to the mounted remote control enclosure.
6. Reinstall the trim cover. Seal the trim cover to the mounting surface with silicone adhesive

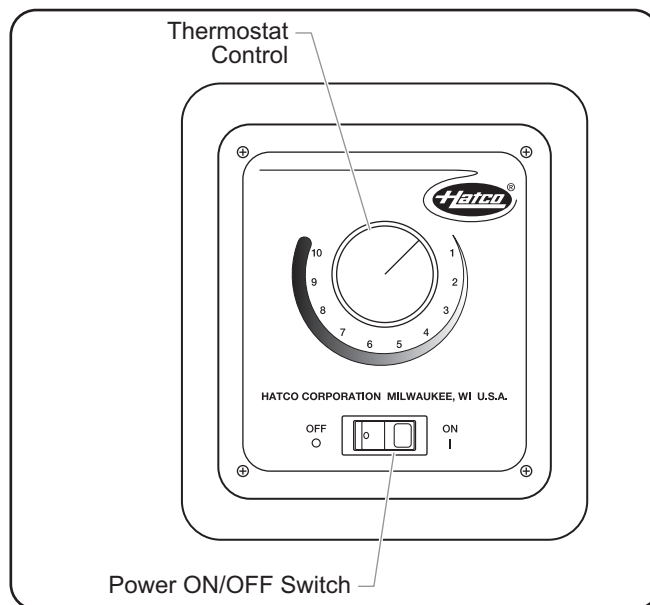
*NOTE: Units are equipped with a 914 mm (36") flexible conduit connecting the control enclosure to the unit.*

### Power I/O (on/off) Switch

Both flush-style remote mounted control enclosures are equipped with a Power I/O (on/off) switch. Move the Power I/O (on/off) switch to the I (on) position to turn on the unit. The indicator light in the switch glows when the unit is on.

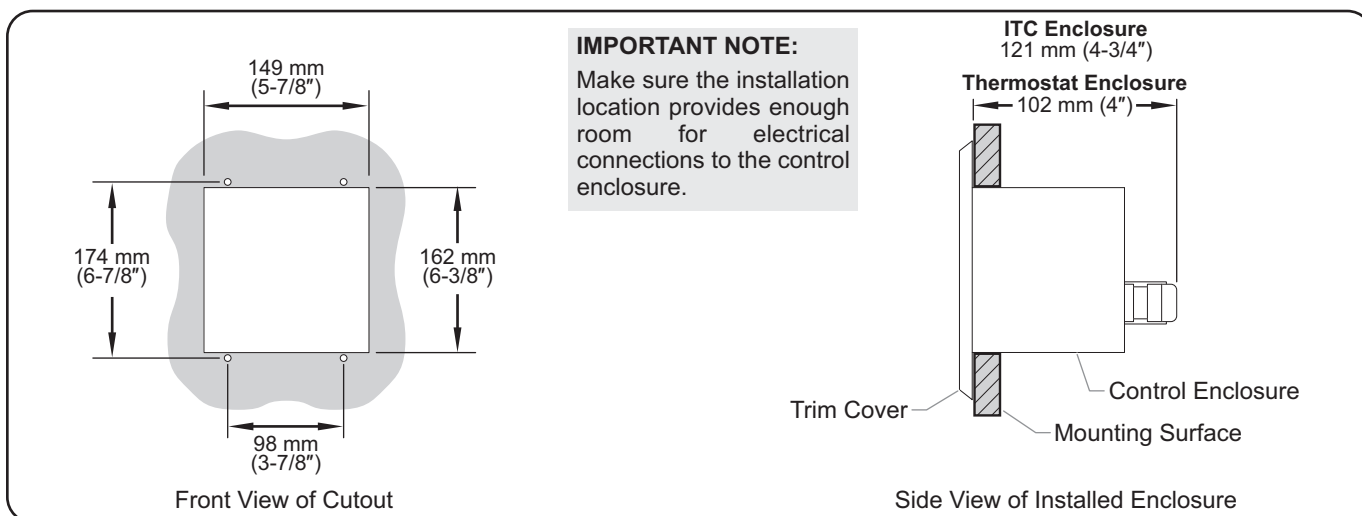
### Changing the Setpoint Temperature — Mechanical Temperature Control

Turn the temperature control clockwise to increase the setpoint temperature. Turn the temperature control counterclockwise to decrease the setpoint temperature.



Mechanical Temperature Control

...continued



Remote Mounted Control Enclosure Installation Dimensions

## Changing the Setpoint Temperature — Digital Temperature Controller

Units equipped with a digital temperature controller will heat up to the setpoint temperature automatically when they are turned on. Use the following procedure to change the setpoint temperature.

*NOTE: The temperature shown on the display may be inaccurate when unit temperature is below 130°F (54°C).*

If the programming sequence is interrupted before completing the last step, the changed values will not be accepted into memory.

1. Press the key three times. The current setpoint temperature will be shown on the TEMPERATURE display (“SP” will be displayed after the second press).
3. Press the key or key within 10 seconds to change the setpoint temperature.
4. Press the key to lock in the new setpoint temperature. The TEMPERATURE display will go blank for two seconds to show that the new setting has been accepted.

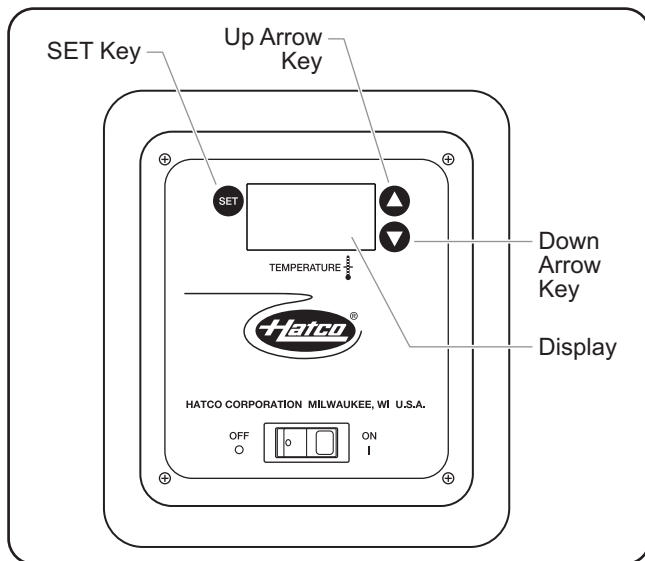
*NOTE: After 10 seconds of inactivity during the programming process, the controller will exit programming mode automatically without saving any changes.*

## Changing Fahrenheit and Celsius Setting — Digital Temperature Controller

Use the following procedure to change between Fahrenheit and Celsius on the display.

1. Press the key once. Either an “F” for Fahrenheit or “C” for Celsius will be displayed.
2. Press the key or key within 10 seconds to change between “F” (Fahrenheit) and “C” (Celsius).
3. Press the key three times to lock in the new setting. The TEMPERATURE display will go blank for two seconds to show that the new setting has been accepted.

*NOTE: After 10 seconds of inactivity during the programming process, the controller will exit programming mode automatically without saving any changes.*



Indicating Temperature Control (ITC) Enclosure

## 1. PRODUCT WARRANTY

Hatco warrants the products that it manufactures (the "Products") to be free from defects in materials and workmanship, under normal use and service, for a period of one (1) year from the date of purchase when installed and maintained in accordance with Hatco's written instructions or 18 months from the date of shipment from Hatco. Buyer must establish the Product's purchase date by registering the Product with Hatco or by other means satisfactory to Hatco in its sole discretion.

Hatco warrants the following Product components to be free from defects in materials and workmanship from the date of purchase (subject to the foregoing conditions) for the period(s) of time and on the conditions listed below:

### a) Two (2) Year Parts Warranty:

Conveyor Toaster Elements (metal sheathed)  
 Drawer Warmer Elements (metal sheathed)  
 Drawer Warmer Drawer Rollers and Slides  
 Strip Heater Elements (metal sheathed)  
 Display Warmer Elements (metal sheathed air heating)  
 Holding Cabinet Elements (metal sheathed air heating)  
 Heated Well Elements — HWB Series (metal sheathed)

### b) Five (5) Year Parts Warranty:

3CS and FR Tanks

### c) Ten (10) Year Parts Warranty:

Electric Booster Heater Tanks  
 Gas Booster Heater Tanks

### d) Ninety (90) Day Parts Warranty:

Replacement Parts

THE FOREGOING WARRANTIES ARE EXCLUSIVE AND IN LIEU OF ANY OTHER WARRANTY, EXPRESSED OR IMPLIED, INCLUDING BUT NOT LIMITED TO ANY IMPLIED WARRANTY OF MERCHANTABILITY OR FITNESS FOR A PARTICULAR PURPOSE OR PATENT OR OTHER INTELLECTUAL PROPERTY RIGHT INFRINGEMENT. Without limiting the generality of the foregoing, SUCH WARRANTIES DO NOT COVER: Coated incandescent light bulbs, fluorescent lights, heat lamp bulbs, coated halogen light bulbs, halogen heat lamp bulbs, xenon light bulbs, LED light tubes, glass components, and fuses; Product failure in booster tank, fin tube heat exchanger, or other water heating equipment caused by liming, sediment buildup, chemical attack, or freezing; or Product misuse, tampering or misapplication, improper installation, or application of improper voltage.

## 2. LIMITATION OF REMEDIES AND DAMAGES

Hatco's liability and Buyer's exclusive remedy hereunder will be limited solely to replacement of part or Product using, at Hatco's option, new or refurbished parts or Product by Hatco or a Hatco-authorized service agency with respect to any claim made within the applicable warranty period referred to above. Hatco reserves the right to accept or reject any such claim in whole or in part. In the context of this Limited Warranty, "refurbished" means a part or Product that has been returned to its original specifications by Hatco or a Hatco-authorized service agency. Hatco will not accept the return of any Product without prior written approval from Hatco, and all such approved returns shall be made at Buyer's sole expense. HATCO WILL NOT BE LIABLE, UNDER ANY CIRCUMSTANCES, FOR CONSEQUENTIAL OR INCIDENTAL DAMAGES, INCLUDING BUT NOT LIMITED TO LABOR COSTS OR LOST PROFITS RESULTING FROM THE USE OF OR INABILITY TO USE THE PRODUCTS OR FROM THE PRODUCTS BEING INCORPORATED IN OR BECOMING A COMPONENT OF ANY OTHER PRODUCT OR GOODS.

## SERVICE INFORMATION

The warranty on Hatco Glo-Ray® Heated Shelves is for one year from date of purchase or eighteen months from date of shipping from Hatco, whichever occurs first.

If you experience a problem with a Heated Shelf during the warranty period, please do the following:

### Contact Local Hatco Dealer

When contacting the Hatco dealer for service assistance, please supply the dealer with the following information to ensure prompt processing:

- Model of unit
- Serial number (located on bottom of GRS model, bottom of control box on GRSB and GRSBF models)
- Specific problem with the unit
- Date of purchase
- Name of business
- Shipping address
- Contact name and phone number

The Hatco dealer will do the following:

- Provide replacement part(s) as required
- Submit warranty claim to Hatco for processing

### Non-Warranty Problems

If you experience a non-warranty problem that requires assistance, please contact the nearest Authorized Hatco Service Agency.

To locate the nearest Service Agency:

- access our website at [www.hatcocorp.com](http://www.hatcocorp.com), select the *Resources* pull-down menu, and click on "Find Service Agent/Distributor"
- call Hatco Service at 414-671-6350
- e-mail Hatco Service at [partsandservice@hatcocorp.com](mailto:partsandservice@hatcocorp.com)

<b>Información Importante para el Propietario</b> .....	<b>22</b>	<b>Operación</b> .....	<b>37</b>
<b>Introducción</b> .....	<b>22</b>	Generalidades.....	37
<b>Información Importante de Seguridad</b> .....	<b>23</b>	<b>Mantenimiento</b> .....	<b>37</b>
<b>Descripción del Modelo</b> .....	<b>24</b>	Generalidades.....	37
<b>Denominación del Modelo</b> .....	<b>24</b>	Limpieza.....	37
<b>Especificaciones</b> .....	<b>25</b>	<b>Guía de Resolución de Problemas</b> .....	<b>38</b>
Configuraciones del Enchufe.....	25	<b>Opciones y Accesorios</b> .....	<b>38</b>
Dimensiones.....	25	<b>Garantía Internacional Limitada</b> .....	<b>41</b>
Cuadro de Clasificación Eléctrica.....	28	<b>Información del Servicio de Garantía</b> .....	<b>41</b>
<b>Instalación</b> .....	<b>33</b>		
Generalidades.....	33		
Modelos GRS.....	33		
Modelos GRSB y GRSBF.....	34		

## INFORMACIÓN IMPORTANTE PARA EL PROPIETARIO

Escriba el número de modelo, número de serie, voltaje y fecha de compra de la unidad en los espacios reservados a continuación (Etiqueta de especificaciones en la parte inferior del modelo GRS, o en la parte inferior de la caja de control de los modelos GRSB y GRSBF.). Por favor, tenga esta información disponible cuando llame a Hatco para recibir asistencia técnica.

Modelo No. \_\_\_\_\_

Serie No. \_\_\_\_\_

Voltaje \_\_\_\_\_

Fecha de compra \_\_\_\_\_

### ¡No olvide registrar su aparato!

Registre la garantía en nuestro sitio web para evitar retrasos en la obtención de la cobertura de la garantía. Visite el sitio web de Hatco: [www.hatcocorp.com](http://www.hatcocorp.com), seleccione el menú desplegable "Parts & Service" (Piezas & Mantenimiento) y haga clic en "Warranty Registration" (Registrar la Garantía).

Horario de atención: 7:00 a.m. a 5:00 p.m.  
 Horario de la zona central  
 (Horario de verano: junio a septiembre)  
 7:00 a.m. a 5:00 p.m. horario de la zona central, lunes a jueves  
 7:00 a.m. a 4:00 p.m. horario de la zona central, viernes)

Teléfono: 414-671-6350

Correo Electrónico: [partsandservice@hatcocorp.com](mailto:partsandservice@hatcocorp.com)

Fax: 414-671-3976 (Piezas y servicio)

Puede encontrar información adicional si visita nuestro sitio Web en [www.hatcocorp.com](http://www.hatcocorp.com).

**Desecho correcto de este producto**  
 Esta marca indica que este producto y sus componentes electrónicos no deben desecharse con otros residuos comerciales. Para evitar posibles daños al medio ambiente o a la salud humana debido al desecho no controlado de residuos, recicle en forma responsable para promover el reuso sustentable de los recursos materiales. Para desechar este producto y sus componentes electrónicos, comuníquese con el proveedor en donde compró el producto para conocer las normas de reciclaje ambiental seguro.

## INTRODUCCIÓN

Los estantes calentados Hatco Glo-Ray están diseñados para mantener calientes los alimentos preparados en áreas de trabajo de cocinas, instalaciones de recogida de alimentos o puntos de servicio a los clientes. Los estantes calentados mantendrán todos los alimentos a una temperatura óptima para servir, sin afectar la calidad. Estos calentadores tienen una base con calor controlado termostáticamente para prolongar el tiempo en que se puede mantener la mayoría de los alimentos.

Los estantes calentados Glo-Ray son el resultado de amplias investigaciones, además de vastos estudios de campo. Los materiales utilizados se seleccionaron para obtener una durabilidad máxima, una apariencia atractiva y un desempeño óptimo. Todas las unidades se inspeccionan y se prueban exhaustivamente antes de su envío.

Este manual ofrece instrucciones sobre instalación, seguridad y funcionamiento para los calentadores Glo-Ray Infrared. Hatco recomienda la lectura de todas las instrucciones relativas a la instalación, el funcionamiento y la seguridad incluidas en este manual antes de comenzar las tareas de instalación y funcionamiento de esta unidad.

La información de seguridad que aparece en este manual se identifica a través de los siguientes paneles con señales y palabras:

**ADVERTENCIA**

**ADVERTENCIA** indica una situación peligrosa que, en caso de no evitarse, puede resultar en lesiones graves e incluso la muerte.

**ATENCIÓN**

**ATENCIÓN** indica una situación peligrosa que, en caso de no evitarse, puede resultar en lesiones menores o moderadas.

**AVISO**

**AVISO** se usa para abordar prácticas que no están relacionadas con lesiones personales.



Lea la siguiente importante información de seguridad para evitar lesiones personales o la muerte, y para evitar daños al equipo o la propiedad.

### ⚠️ ADVERTENCIA

#### PELIGRO DE DESCARGA ELÉCTRICA:

- Enchufe la unidad a un tomacorriente adecuadamente conectado a tierra del voltaje, tamaño y configuración del enchufe correctos. Si el enchufe y el tomacorriente no coinciden, comuníquese con un electricista calificado para determinar e instalar el voltaje y el tamaño de tomacorriente correctos.
- Antes de realizar cualquier tipo de limpieza, ajuste o mantenimiento, APAGUE el interruptor, desenchufe el cable de alimentación y deje que la unidad se enfríe.
- NO sumerja ni sature la unidad con agua. La unidad no es impermeable. No opere la unidad si ésta se sumergió o saturó con agua.
- La unidad no es a prueba de intemperie. Coloque la unidad en interiores donde la temperatura del aire ambiente sea de un mínimo de 21°C (70°F).
- No tire de la unidad por el cable de alimentación.
- Interrumpa el uso si el cable de alimentación está deshilachado o gastado.
- No intente reparar o reemplazar un cable de alimentación dañado. Deberá reemplazarlo Hatco, un agente de servicio Hatco autorizado o una persona con calificaciones similares.
- Esta unidad no tiene una construcción "a prueba de chorros". No use un pulverizador de limpieza a chorro para limpiar la unidad.
- No limpie con vapor ni use agua en exceso en la unidad.
- No limpie la unidad cuando esté energizada o caliente.
- El mantenimiento de este aparato debe ser realizado únicamente por personal cualificado. Si el mantenimiento lo realiza una persona no cualificada, corre el riesgo de sufrir descargas eléctricas o quemaduras.
- La carcasa del control remoto debe montarse en una pared vertical e instalarse además en posición vertical. El montaje de la carcasa del control remoto en posición horizontal puede ocasionar la recolección de líquidos y provocar una descarga eléctrica.
- Utilice únicamente Piezas de Repuesto Originales de la marca Hatco cuando lleve a cabo tareas de mantenimiento. Si no utiliza Piezas de Repuesto Originales de la marca Hatco, todas las garantías quedarán anuladas y los usuarios de la unidad quedarán expuestos a una tensión eléctrica peligrosa que podría causar choques eléctricos y quemaduras. Las Piezas de Repuesto Originales de la marca Hatco están diseñadas para garantizar un funcionamiento seguro en los entornos en que se utilizan. Algunas piezas de repuesto secundarias o genéricas no cuentan con las características que les permiten funcionar de forma segura en aparatos de la marca Hatco.

**RIESGO DE INCENDIO:** Ubique la unidad a un mínimo de 25 mm (1") de paredes y materiales combustibles. Si no se mantienen las distancias seguras, podría provocarse decoloración o combustión.

Asegúrese de que todos los usuarios de esta unidad han recibido la formación adecuada para el funcionamiento correcto y seguro de la misma.

Asegúrese de que los alimentos calentados hayan alcanzado una temperatura segura antes de introducirlos en la unidad. No calentar los alimentos de forma correcta podría resultar en graves riesgos para la salud. Esta unidad sólo es adecuada para almacenar alimentos que hayan sido precalentados con anterioridad.

### ⚠️ ADVERTENCIA

Esta unidad no ha sido diseñada para su uso por parte de niños o personas con alguna discapacidad física, sensorial o mental. Asegúrese de que los niños están debidamente supervisados y manténgalos alejados de esta unidad.

Esta unidad no tiene piezas a las que el usuario pueda realizar mantenimiento. Si necesita realizar mantenimiento en esta unidad, comuníquese con un agente de servicio autorizado de Hatco o con el Departamento de Servicio de Hatco al 414-671-6350; fax 414-671-3976.

### ⚠️ ATENCIÓN

**PELIGRO DE QUEMADURAS:** Algunas superficies exteriores de la unidad se calientan. Tenga precaución al tocar estas áreas.

Ubique la unidad a la altura correcta de la cubierta en un lugar que sea conveniente para usar. El lugar debe estar nivelado para evitar que la unidad o sus contenidos se caigan accidentalmente y debe ser suficientemente fuerte para soportar el peso de la unidad y sus contenidos.

Nunca opere modelos integrados si la caja de control no se ha instalado como se indica en las instrucciones de instalación.

No opere la unidad si no instaló las patas suministradas.

La National Sanitation Foundation (NSF) requiere que las unidades con una longitud mayor de 914 mm (36") o que pesen más de 36 kg (80 lbs) se sellen o queden separadas de la superficie de instalación. Si la unidad no se puede sellar en el lugar de uso, se incluyen unas patas de 102 mm (4") que dejan un espacio adecuado para permitir la limpieza debajo de la unidad.

### AVISO

La unidad está diseñada para ser usada en mostradores metálicos y se recomienda respetar estas indicaciones de diseño. La garantía de Hatco no cubrirá ningún daño ocasionado en los materiales de los mostradores. Para otras superficies, consulte al fabricante para saber qué material es adecuado para temperaturas sostenidas de hasta 93°C (200°F).

No modifique el cableado ni corte el cable capilar del termostato en la carcasa del control para aumentar la distancia de montaje remoto. Si corta el cable capilar del termostato, la unidad se recalentará y dañará, así como también el mostrador circundante.

No use fuerza excesiva al ajustar los tornillos de montaje en las unidades integradas. Esto puede dañar la unidad y/o el mostrador.

No ubique la unidad sobre el lado del panel de control. Podrían producirse daños en la unidad.

Use sólo limpiadores no abrasivos. Los limpiadores abrasivos podrían rayar el acabado de la unidad, estropear su apariencia y hacerla susceptible a la acumulación de suciedad.

Instale la carcasa del control remoto fuera de la zona de calor. Si ubica la carcasa del control dentro de la zona de calor, provocará que éste se sobrecaliente, funcione de manera defectuosa y falle.

No deslice cacerolas por la superficie de la cubierta rígida, no use cacerolas de fondo áspero ni deje caer nada sobre la superficie de la cubierta rígida. Podrían producirse rasguños. El daño causado a la cubierta rígida por el mal uso no está cubierto por la garantía.

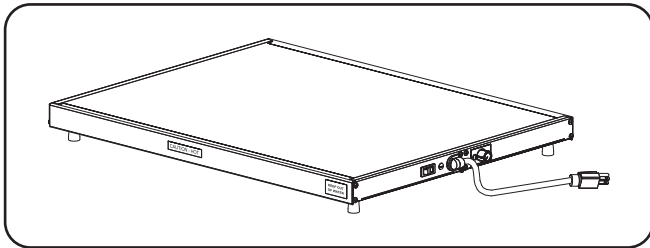
# DESCRIPCIÓN DEL MODELO

ES

## Modelos GRS

El anaquel calentado GRS es ideal para áreas que se comunican de un lado al otro, bufets o como anaquel calentado para un área de trabajo. Presenta un interruptor oscilante de encendido/apagado con una luz indicadora, un termostato ajustable y un cable de 1829 mm (6') con enchufe. Los elementos de la lámina montada sobre la superficie distribuyen calor debajo de toda la superficie de acero inoxidable o de la superficie con recubrimiento rígido de aluminio.

Todos los modelos GRS se envían de fábrica totalmente montados y listos para utilizarse.



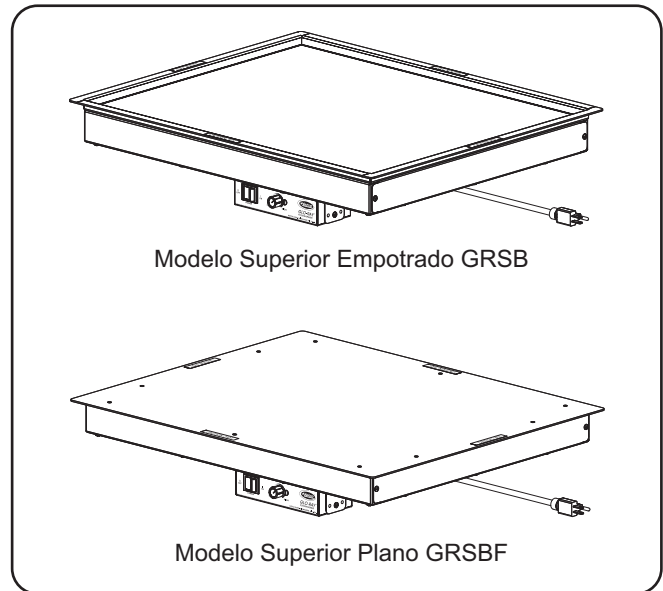
Modelo GRS

## Modelos GRSB y GRSBF

Los anaqueles calentados insertables GRSB y GRSBF tienen una encimera de aluminio duro y un elemento metálico de tipo manta para proporcionar una distribución uniforme del calor. Ideal para superficies que se comunican entre el camarero y el cliente, filas en bufets y cafeterías y otras áreas de autoservicio. El modelo GRSB presenta una encimera rebajada. El modelo GRSBF incorpora una encimera de diseño plano.

Un conducto flexible de 914 mm (3') lleva las líneas de alimentación eléctrica desde el anaquel a una caja de control remoto. La caja de control viene con un termostato de control con un margen de 27° a 93° C (80° a 200° F), un interruptor de encendido/apagado iluminado y ménsulas de montaje. La caja de control acoplada puede ubicarse a una distancia de hasta 914 mm (3') de la unidad. Se conecta un cable y enchufe de 1829 mm (6') a la caja de control.

El anaquel calentado insertable tiene un reborde de 19 mm (3/4") que permite que la unidad se deje descansar en la abertura de un mostrador. El anaquel es fácil de limpiar con un paño suave y húmedo o un limpiador no abrasivo. Todos los modelos GRSB y GRSBF se envían de fábrica totalmente montados y listos para utilizarse.



Modelo Superior Empotrado GRSB

Modelo Superior Plano GRSBF

Modelos GRSB y GRSBF

# DENOMINACIÓN DEL MODELO

<b>GRSBF-XX-F</b>	
Glo-Ray	Profundidad calentada
Estante calentado	<b>Modelos GRS</b>
Integrado	I = 495 mm (19-1/2")
Parte superior plana	A = 152 mm (6")
Ancho del modelo (pulgadas)	B = 197 mm (7-3/4")
	C = 248 mm (9-3/4")
	D = 305 mm (12")
	E = 349 mm (13-3/4")
	F = 394 mm (15-1/2")
	G = 400 mm (15-3/4")
	H = 445 mm (17-1/2")
	J = 546 mm (21-1/2")
	K = 597 mm (23-1/2")
	L = 648 mm (25-1/2")
	<b>Modelos GRSB</b>
	F = 394 mm (15-1/2")
	I = 495 mm (19-1/2")
	O = 762 mm (30")
	<b>Modelos GRSBF</b>
	F = 432 mm (17")
	I = 533 mm (21")
	S = 648 mm (25-1/2")
	O = 800 mm (31-1/2")



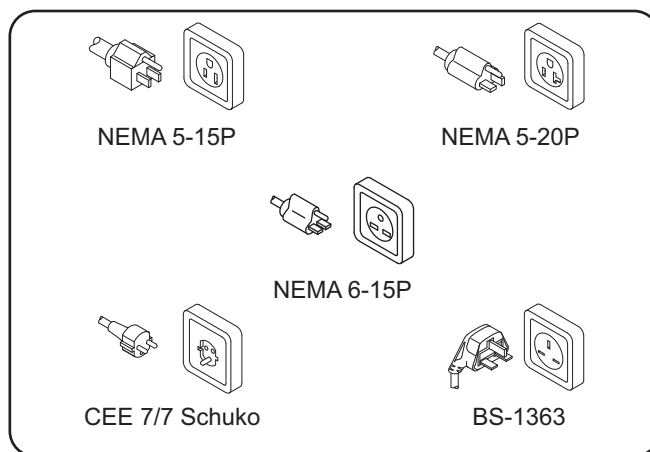
### Configuraciones del Enchufe

Las unidades se suministran de fábrica con un cable eléctrico y enchufe.



**PELIGRO DE DESCARGA ELÉCTRICA:** Enchufe la unidad a un tomacorriente adecuadamente conectado a tierra del voltaje, tamaño y configuración del enchufe correctos. Si el enchufe y el tomacorriente no coinciden, comuníquese con un electricista calificado para determinar e instalar el voltaje y el tamaño de tomacorriente correctos.

*NOTA:* La etiqueta de especificaciones está ubicada en la parte inferior del modelo GRS, y en la parte inferior de la caja de control remoto de los modelos GRSB y GRSEF. Consulte la etiqueta para ver el número de serie y la verificación de la información eléctrica de la unidad.



Configuraciones del Enchufe

*NOTA:* Hatco no proporciona el tomacorriente

### Dimensiones — Modelos GRS

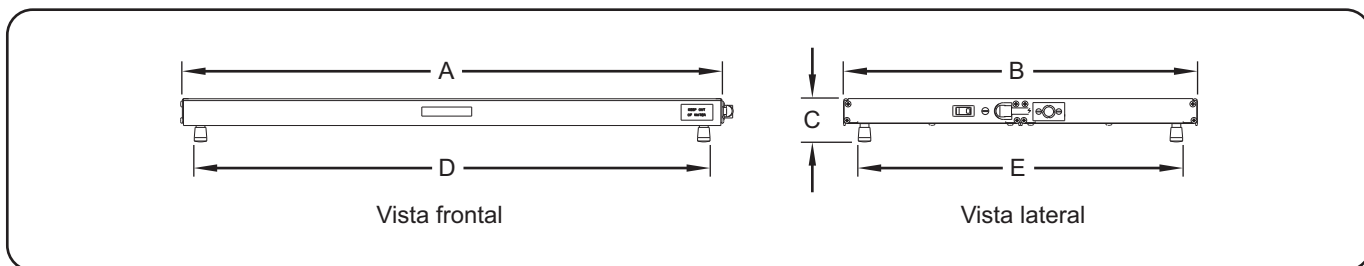
Modelo	Ancho (A)	Profundidad (B)	Altura (C)	Ancho de las Patas (D)	Profundidad de las Patas (E)
GRS-18-I	457 mm (18")	495 mm (19-1/2")	57 mm (2-1/4")†	425 mm (16-3/4")	457 mm (18")
GRS-24-I	610 mm (24")	495 mm (19-1/2")	57 mm (2-1/4")†	578 mm (16-3/4")	457 mm (18")
GRS-30-I	762 mm (30")	495 mm (19-1/2")	57 mm (2-1/4")†	730 mm (16-3/4")	457 mm (18")
GRS-36-I	914 mm (36")	495 mm (19-1/2")	57 mm (2-1/4")†	883 mm (16-3/4")	457 mm (18")
GRS-42-I	1067 mm (42")	495 mm (19-1/2")	133 mm (5-1/4")*	1035 mm (16-3/4")	457 mm (18")
GRS-48-I	1219 mm (48")	495 mm (19-1/2")	133 mm (5-1/4")*	1187 mm (16-3/4")	457 mm (18")
GRS-54-I	1372 mm (54")	495 mm (19-1/2")	133 mm (5-1/4")*	1340 mm (16-3/4")	457 mm (18")
GRS-60-I	1524 mm (60")	495 mm (19-1/2")	133 mm (5-1/4")*	1492 mm (16-3/4")	457 mm (18")
GRS-66-I	1676 mm (66")	495 mm (19-1/2")	133 mm (5-1/4")*	1645 mm (16-3/4")	457 mm (18")
GRS-72-I	1829 mm (72")	495 mm (19-1/2")	133 mm (5-1/4")*	1797 mm (16-3/4")	457 mm (18")

† La altura incluye patas de 25 mm (1")

\* La altura incluye patas de 102 mm (4")

*NOTA:* Todos los modelos enumerados anteriormente tienen una profundidad de 495 mm (19-1/2"). Las profundidades adicionales disponibles incluyen:

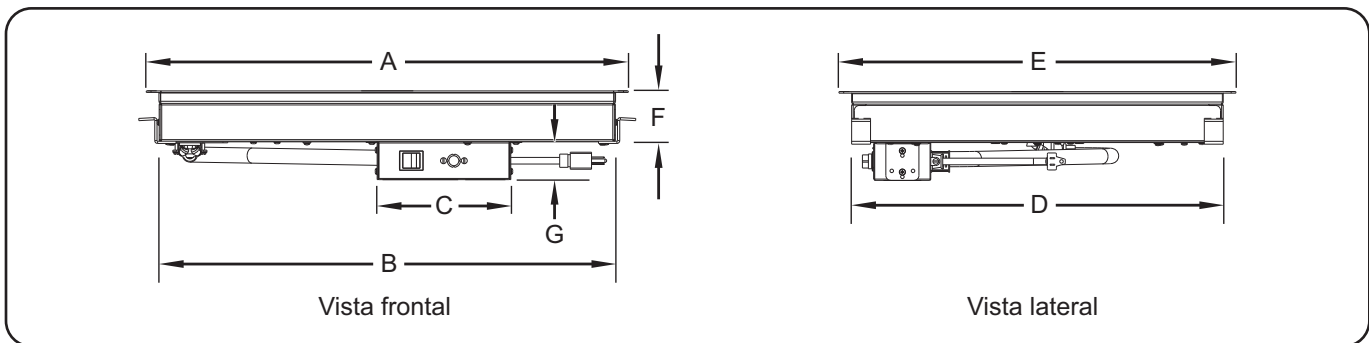
A = 152 mm (6")      B = 197 mm (7-3/4")      C = 248 mm (9-3/4")      D = 305 mm (12")  
 E = 349 mm (13-3/4")      F = 394 mm (15-1/2")      G = 400 mm (15-3/4")      H = 445 mm (17-1/2")  
 J = 546 mm (21-1/2")      K = 597 mm (23-1/2")      L = 648 mm (25-1/2")



Dimensiones — Modelos GRS

## Dimensiones — Modelos GRSB

Modelo	Ancho Total (A)	Ancho Calentado (B)	Ancho de la Caja de Control (C)	Profundidad Calentada (D)	Profundidad Total (E)	Altura (F)	Altura de la Caja de Control (G)
GRSB-24-F	648 mm (25-1/2")	610 mm (24")	184 mm (7-1/4")	394 mm (15-1/2")	432 mm (17")	73 mm (2-7/8")	54 mm (2-1/8")
GRSB-24-I	648 mm (25-1/2")	610 mm (24")	184 mm (7-1/4")	495 mm (19-1/2")	533 mm (21")	73 mm (2-7/8")	54 mm (2-1/8")
GRSB-24-O	648 mm (25-1/2")	610 mm (24")	184 mm (7-1/4")	762 mm (30")	800 mm (31-1/2")	73 mm (2-7/8")	54 mm (2-1/8")
GRSB-30-F	800 mm (31-1/2")	762 mm (30")	184 mm (7-1/4")	394 mm (15-1/2")	432 mm (17")	73 mm (2-7/8")	54 mm (2-1/8")
GRSB-30-I	800 mm (31-1/2")	762 mm (30")	184 mm (7-1/4")	495 mm (19-1/2")	533 mm (21")	73 mm (2-7/8")	54 mm (2-1/8")
GRSB-30-O	800 mm (31-1/2")	762 mm (30")	184 mm (7-1/4")	762 mm (30")	800 mm (31-1/2")	73 mm (2-7/8")	54 mm (2-1/8")
GRSB-36-F	953 mm (37-1/2")	914 mm (36")	184 mm (7-1/4")	394 mm (15-1/2")	432 mm (17")	73 mm (2-7/8")	54 mm (2-1/8")
GRSB-36-I	953 mm (37-1/2")	914 mm (36")	184 mm (7-1/4")	495 mm (19-1/2")	533 mm (21")	73 mm (2-7/8")	54 mm (2-1/8")
GRSB-36-O	953 mm (37-1/2")	914 mm (36")	184 mm (7-1/4")	762 mm (30")	800 mm (31-1/2")	73 mm (2-7/8")	54 mm (2-1/8")
GRSB-42-F	1105 mm (43-1/2")	1067 mm (42")	184 mm (7-1/4")	394 mm (15-1/2")	432 mm (17")	73 mm (2-7/8")	54 mm (2-1/8")
GRSB-42-I	1105 mm (43-1/2")	1067 mm (42")	184 mm (7-1/4")	495 mm (19-1/2")	533 mm (21")	73 mm (2-7/8")	54 mm (2-1/8")
GRSB-42-O	1105 mm (43-1/2")	1067 mm (42")	184 mm (7-1/4")	762 mm (30")	800 mm (31-1/2")	73 mm (2-7/8")	54 mm (2-1/8")
GRSB-48-F	1257 mm (49-1/2")	1219 mm (48")	184 mm (7-1/4")	394 mm (15-1/2")	432 mm (17")	73 mm (2-7/8")	54 mm (2-1/8")
GRSB-48-I	1257 mm (49-1/2")	1219 mm (48")	184 mm (7-1/4")	495 mm (19-1/2")	533 mm (21")	73 mm (2-7/8")	54 mm (2-1/8")
GRSB-48-O	1257 mm (49-1/2")	1219 mm (48")	184 mm (7-1/4")	762 mm (30")	800 mm (31-1/2")	73 mm (2-7/8")	54 mm (2-1/8")
GRSB-54-I	1410 mm (55-1/2")	1372 mm (54")	184 mm (7-1/4")	495 mm (19-1/2")	533 mm (21")	73 mm (2-7/8")	54 mm (2-1/8")
GRSB-60-F	1562 mm (61-1/2")	1524 mm (60")	184 mm (7-1/4")	394 mm (15-1/2")	432 mm (17")	73 mm (2-7/8")	54 mm (2-1/8")
GRSB-60-I	1562 mm (61-1/2")	1524 mm (60")	184 mm (7-1/4")	495 mm (19-1/2")	533 mm (21")	73 mm (2-7/8")	54 mm (2-1/8")
GRSB-60-O	1562 mm (61-1/2")	1524 mm (60")	184 mm (7-1/4")	762 mm (30")	800 mm (31-1/2")	73 mm (2-7/8")	54 mm (2-1/8")
GRSB-66-I	1715 mm (67-1/2")	1676 mm (66")	184 mm (7-1/4")	495 mm (19-1/2")	533 mm (21")	73 mm (2-7/8")	54 mm (2-1/8")
GRSB-72-F	1867 mm (73-1/2")	1829 mm (72")	184 mm (7-1/4")	394 mm (15-1/2")	432 mm (17")	73 mm (2-7/8")	54 mm (2-1/8")
GRSB-72-I	1867 mm (73-1/2")	1829 mm (72")	184 mm (7-1/4")	495 mm (19-1/2")	533 mm (21")	73 mm (2-7/8")	54 mm (2-1/8")
GRSB-72-O	1867 mm (73-1/2")	1829 mm (72")	184 mm (7-1/4")	762 mm (30")	800 mm (31-1/2")	73 mm (2-7/8")	54 mm (2-1/8")



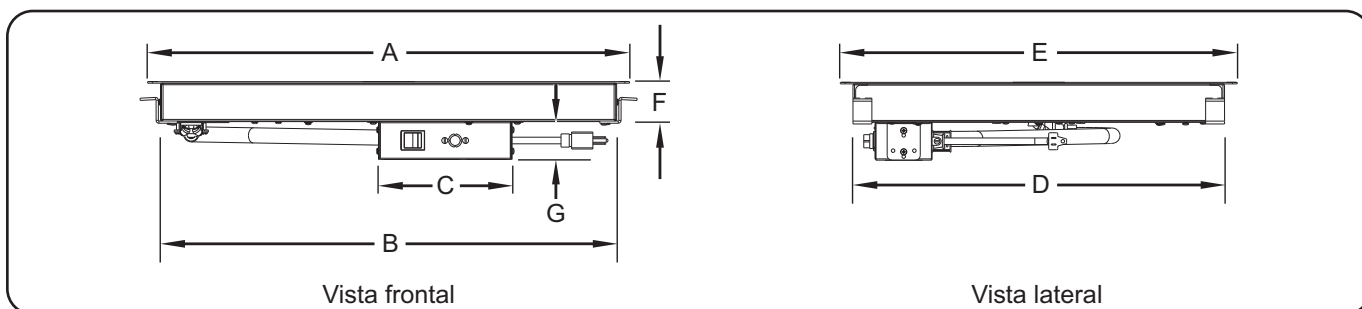
Dimensiones — Modelos GRSB

### AVISO

Refiérase a la sección de la instalación de este manual para dimensiones verdaderas de recorte de encimera.

Dimensiones — Modelos GRSBF

Modelo	Ancho Total (A)	Ancho Calentado (B)	Ancho de la Caja de Control (C)	Profundidad Calentada (D)	Profundidad Total (E)	Altura (F)	Altura de la Caja de Control (G)
GRSBF-18-F	495 mm (19-1/2")	460 mm (18")	184 mm (7-1/4")	394 mm (15-1/2")	432 mm (17")	57 mm (2-1/4")	54 mm (2-1/8")
GRSBF-24-F	648 mm (25-1/2")	610 mm (24")	184 mm (7-1/4")	394 mm (15-1/2")	432 mm (17")	57 mm (2-1/4")	54 mm (2-1/8")
GRSBF-24-I	648 mm (25-1/2")	610 mm (24")	184 mm (7-1/4")	495 mm (19-1/2")	533 mm (21")	57 mm (2-1/4")	54 mm (2-1/8")
GRSBF-24-S	648 mm (25-1/2")	610 mm (24")	184 mm (7-1/4")	460 mm (24")	648 mm (25-1/2")	57 mm (2-1/4")	54 mm (2-1/8")
GRSBF-24-O	648 mm (25-1/2")	610 mm (24")	184 mm (7-1/4")	762 mm (30")	800 mm (31-1/2")	57 mm (2-1/4")	54 mm (2-1/8")
GRSBF-30-F	800 mm (31-1/2")	762 mm (30")	184 mm (7-1/4")	394 mm (15-1/2")	432 mm (17")	57 mm (2-1/4")	54 mm (2-1/8")
GRSBF-30-I	800 mm (31-1/2")	762 mm (30")	184 mm (7-1/4")	495 mm (19-1/2")	533 mm (21")	57 mm (2-1/4")	54 mm (2-1/8")
GRSBF-30-S	800 mm (31-1/2")	762 mm (30")	184 mm (7-1/4")	460 mm (24")	648 mm (25-1/2")	57 mm (2-1/4")	54 mm (2-1/8")
GRSBF-30-O	800 mm (31-1/2")	762 mm (30")	184 mm (7-1/4")	762 mm (30")	800 mm (31-1/2")	57 mm (2-1/4")	54 mm (2-1/8")
GRSBF-36-F	953 mm (37-1/2")	914 mm (36")	184 mm (7-1/4")	394 mm (15-1/2")	432 mm (17")	57 mm (2-1/4")	54 mm (2-1/8")
GRSBF-36-I	953 mm (37-1/2")	914 mm (36")	184 mm (7-1/4")	495 mm (19-1/2")	533 mm (21")	57 mm (2-1/4")	54 mm (2-1/8")
GRSBF-36-S	953 mm (37-1/2")	914 mm (36")	184 mm (7-1/4")	460 mm (24")	648 mm (25-1/2")	57 mm (2-1/4")	54 mm (2-1/8")
GRSBF-36-O	953 mm (37-1/2")	914 mm (36")	184 mm (7-1/4")	762 mm (30")	800 mm (31-1/2")	57 mm (2-1/4")	54 mm (2-1/8")
GRSBF-42-F	1105 mm (43-1/2")	1067 mm (42")	184 mm (7-1/4")	394 mm (15-1/2")	432 mm (17")	57 mm (2-1/4")	54 mm (2-1/8")
GRSBF-42-I	1105 mm (43-1/2")	1067 mm (42")	184 mm (7-1/4")	495 mm (19-1/2")	533 mm (21")	57 mm (2-1/4")	54 mm (2-1/8")
GRSBF-42-S	1105 mm (43-1/2")	1067 mm (42")	184 mm (7-1/4")	460 mm (24")	648 mm (25-1/2")	57 mm (2-1/4")	54 mm (2-1/8")
GRSBF-42-O	1105 mm (43-1/2")	1067 mm (42")	184 mm (7-1/4")	762 mm (30")	800 mm (31-1/2")	57 mm (2-1/4")	54 mm (2-1/8")
GRSBF-48-F	1257 mm (49-1/2")	1219 mm (48")	184 mm (7-1/4")	394 mm (15-1/2")	432 mm (17")	57 mm (2-1/4")	54 mm (2-1/8")
GRSBF-48-I	1257 mm (49-1/2")	1219 mm (48")	184 mm (7-1/4")	495 mm (19-1/2")	533 mm (21")	57 mm (2-1/4")	54 mm (2-1/8")
GRSBF-48-S	1257 mm (49-1/2")	1219 mm (48")	184 mm (7-1/4")	460 mm (24")	648 mm (25-1/2")	57 mm (2-1/4")	54 mm (2-1/8")
GRSBF-48-O	1257 mm (49-1/2")	1219 mm (48")	184 mm (7-1/4")	762 mm (30")	800 mm (31-1/2")	57 mm (2-1/4")	54 mm (2-1/8")
GRSBF-60-F	1562 mm (61-1/2")	1524 mm (60")	184 mm (7-1/4")	394 mm (15-1/2")	432 mm (17")	57 mm (2-1/4")	54 mm (2-1/8")
GRSBF-60-I	1562 mm (61-1/2")	1524 mm (60")	184 mm (7-1/4")	495 mm (19-1/2")	533 mm (21")	57 mm (2-1/4")	54 mm (2-1/8")
GRSBF-60-S	1562 mm (61-1/2")	1524 mm (60")	184 mm (7-1/4")	460 mm (24")	648 mm (25-1/2")	57 mm (2-1/4")	54 mm (2-1/8")
GRSBF-60-O	1562 mm (61-1/2")	1524 mm (60")	184 mm (7-1/4")	762 mm (30")	800 mm (31-1/2")	57 mm (2-1/4")	54 mm (2-1/8")
GRSBF-72-F	1867 mm (73-1/2")	1829 mm (72")	184 mm (7-1/4")	394 mm (15-1/2")	432 mm (17")	57 mm (2-1/4")	54 mm (2-1/8")
GRSBF-72-I	1867 mm (73-1/2")	1829 mm (72")	184 mm (7-1/4")	495 mm (19-1/2")	533 mm (21")	57 mm (2-1/4")	54 mm (2-1/8")
GRSBF-72-S	1867 mm (73-1/2")	1829 mm (72")	184 mm (7-1/4")	460 mm (24")	648 mm (25-1/2")	57 mm (2-1/4")	54 mm (2-1/8")
GRSBF-72-O	1867 mm (73-1/2")	1829 mm (72")	184 mm (7-1/4")	762 mm (30")	800 mm (31-1/2")	57 mm (2-1/4")	54 mm (2-1/8")



Dimensiones — Modelos GRSBF

**AVISO**

Refiérase a la sección de la instalación de este manual para dimensiones verdaderas de recorte de encimera. .

## Cuadro de Clasificación Eléctrica — Modelos GRS

Modelo †	Voltaje	Vatios	Amperios	Configuraciones del Enchufe	Peso de Envío
GRS-18-I	100	250	2.5	NEMA 5-15P	7 kg (16 lbs.)
	120	250	2.1	NEMA 5-15P	7 kg (16 lbs.)
	220	228	1.0	CEE 7/7 Schuko	7 kg (16 lbs.)
	240	272	1.1	BS-1363	7 kg (16 lbs.)
	220-230 (CE)	228-250	1.0-1.1	CEE 7/7 Schuko	7 kg (16 lbs.)
	230-240 (CE)	250-272	1.0-1.1	BS-1363	7 kg (16 lbs.)
GRS-24-I	100	350	3.5	NEMA 5-15P	9 kg (20 lbs.)
	120	350	2.9	NEMA 5-15P	9 kg (20 lbs.)
	220	320	1.5	CEE 7/7 Schuko	9 kg (20 lbs.)
	240	380	1.6	BS-1363	9 kg (20 lbs.)
	220-230 (CE)	320-350	1.5-1.6	CEE 7/7 Schuko	9 kg (20 lbs.)
	230-240 (CE)	350-380	1.5-1.6	BS-1363	9 kg (20 lbs.)
GRS-30-I	100	450	4.5	NEMA 5-15P	11 kg (25 lbs.)
	120	450	3.8	NEMA 5-15P	11 kg (25 lbs.)
	220	412	1.9	CEE 7/7 Schuko	11 kg (25 lbs.)
	240	490	2.0	BS-1363	11 kg (25 lbs.)
	220-230 (CE)	412-450	1.9-2.0	CEE 7/7 Schuko	11 kg (25 lbs.)
	230-240 (CE)	450-490	1.9-2.0	BS-1363	11 kg (25 lbs.)
GRS-36-I	100	550	5.5	NEMA 5-15P	13 kg (28 lbs.)
	120	550	4.6	NEMA 5-15P	13 kg (28 lbs.)
	220	504	2.3	CEE 7/7 Schuko	13 kg (28 lbs.)
	240	598	2.5	BS-1363	13 kg (28 lbs.)
	220-230 (CE)	504-550	2.3-2.4	CEE 7/7 Schuko	13 kg (28 lbs.)
	230-240 (CE)	550-598	2.4-2.5	BS-1363	13 kg (28 lbs.)
GRS-42-I	100	600	6.0	NEMA 5-15P	15 kg (32 lbs.)
	120	600	5.0	NEMA 5-15P	15 kg (32 lbs.)
	220	548	2.5	CEE 7/7 Schuko	15 kg (32 lbs.)
	240	652	2.7	BS-1363	15 kg (32 lbs.)
	220-230 (CE)	548-600	2.5-2.6	CEE 7/7 Schuko	15 kg (32 lbs.)
	230-240 (CE)	600-652	2.6-2.7	BS-1363	15 kg (32 lbs.)

Las zonas sombreadas contienen información sobre la clasificación eléctrica de los modelos internacionales únicamente.

† Todos los modelos GRS enumerados tienen una profundidad calentada de 495 mm (19-1/2"). Profundidades adicionales disponibles.

## Cuadro de Clasificación Eléctrica — Modelos GRS

Modelo †	Voltaje	Vatios	Amperios	Configuraciones del Enchufe	Peso de Envío
GRS-48-I	100	700	7.0	NEMA 5-15P	16 kg (36 lbs.)
	120	700	5.8	NEMA 5-15P	16 kg (36 lbs.)
	220	640	3.0	CEE 7/7 Schuko	16 kg (36 lbs.)
	240	760	3.2	BS-1363	16 kg (36 lbs.)
	220-230 (CE)	640-700	3.0-3.1	CEE 7/7 Schuko	16 kg (36 lbs.)
	230-240 (CE)	700-760	3.0-3.2	BS-1363	16 kg (36 lbs.)
GRS-54-I	100	800	8.0	NEMA 5-15P	19 kg (42 lbs.)
	120	800	6.7	NEMA 5-15P	19 kg (42 lbs.)
	220	732	3.3	CEE 7/7 Schuko	19 kg (42 lbs.)
	240	870	3.6	BS-1363	19 kg (42 lbs.)
	220-230 (CE)	732-800	3.3-3.5	CEE 7/7 Schuko	19 kg (42 lbs.)
	230-240 (CE)	800-870	3.5-3.6	BS-1363	19 kg (42 lbs.)
GRS-60-I	100	900	9.0	NEMA 5-15P	20 kg (44 lbs.)
	120	900	7.5	NEMA 5-15P	20 kg (44 lbs.)
	220	824	3.7	CEE 7/7 Schuko	20 kg (44 lbs.)
	240	980	4.1	BS-1363	20 kg (44 lbs.)
	220-230 (CE)	824-900	3.7-3.9	CEE 7/7 Schuko	20 kg (44 lbs.)
	230-240 (CE)	900-980	3.9-4.1	BS-1363	20 kg (44 lbs.)
GRS-66-I	100	1000	10.0	NEMA 5-15P	23 kg (50 lbs.)
	120	1000	8.3	NEMA 5-15P	23 kg (50 lbs.)
	220	916	4.2	CEE 7/7 Schuko	23 kg (50 lbs.)
	240	1088	4.5	BS-1363	23 kg (50 lbs.)
	220-230 (CE)	916-1000	4.2-4.3	CEE 7/7 Schuko	23 kg (50 lbs.)
	230-240 (CE)	1000-1088	4.3-4.5	BS-1363	23 kg (50 lbs.)
GRS-72-I	100	1100	11.0	NEMA 5-15P	25 kg (56 lbs.)
	120	1100	9.2	NEMA 5-15P	25 kg (56 lbs.)
	220	1008	4.6	CEE 7/7 Schuko	25 kg (56 lbs.)
	240	1196	5.0	BS-1363	25 kg (56 lbs.)
	220-230 (CE)	1008-1100	4.6-4.8	CEE 7/7 Schuko	25 kg (56 lbs.)
	230-240 (CE)	1100-1196	4.8-5.0	BS-1363	25 kg (56 lbs.)

Las zonas sombreadas contienen información sobre la clasificación eléctrica de los modelos internacionales únicamente.

† Todos los modelos GRS enumerados tienen una profundidad calentada de 495 mm (19-1/2"). Profundidades adicionales disponibles.

## Cuadro de Clasificación Eléctrica — Modelos GRSB

Modelo	Voltaje	Vatios	Amperios	Configuraciones del Enchufe	Peso de Envío
GRSB-24-F	120	420	3.5	NEMA 5-15P	9 kg (20 lbs.)
	220	384	1.7	CEE 7/7 Schuko	9 kg (20 lbs.)
	240	458	1.9	BS-1363	9 kg (20 lbs.)
GRSB-24-I	100	550	5.5	NEMA 5-15P	10 kg (22 lbs.)
	120	550	4.6	NEMA 5-15P	10 kg (22 lbs.)
	220	550	2.5	CEE 7/7 Schuko	10 kg (22 lbs.)
	240	550	2.3	BS-1363	10 kg (22 lbs.)
	220-230 (CE)	550-601	2.5-2.6	CEE 7/7 Schuko	10 kg (22 lbs.)
	230-240 (CE)	505-550	2.2-2.3	BS-1363	10 kg (22 lbs.)
GRSB-24-O	120	790	6.6	NEMA 5-15P	12 kg (26 lbs.)
	220	722	3.3	CEE 7/7 Schuko	12 kg (26 lbs.)
	240	860	3.4	BS-1363	12 kg (26 lbs.)
GRSB-30-F	120	505	4.2	NEMA 5-15P	10 kg (23 lbs.)
	220	462	2.1	CEE 7/7 Schuko	10 kg (23 lbs.)
	240	550	2.3	BS-1363	10 kg (23 lbs.)
GRSB-30-I	100	665	6.7	NEMA 5-15P	11 kg (25 lbs.)
	120	665	5.6	NEMA 5-15P	11 kg (25 lbs.)
	220	665	3.0	CEE 7/7 Schuko	11 kg (25 lbs.)
	240	665	2.8	BS-1363	11 kg (25 lbs.)
	220-230 (CE)	665-727	3.0-3.2	CEE 7/7 Schuko	11 kg (25 lbs.)
	230-240 (CE)	661-665	2.7-2.8	BS-1363	11 kg (25 lbs.)
GRSB-30-O	120	950	7.9	NEMA 5-15P	13 kg (28 lbs.)
	220	916	4.2	CEE 7/7 Schuko	13 kg (28 lbs.)
	240	985	4.1	BS-1363	13 kg (28 lbs.)
GRSB-36-F	120	590	4.9	NEMA 5-15P	12 kg (26 lbs.)
	220	540	2.5	CEE 7/7 Schuko	12 kg (26 lbs.)
	240	642	2.7	BS-1363	12 kg (26 lbs.)
GRSB-36-I	100	780	7.8	NEMA 5-15P	13 kg (29 lbs.)
	120	780	6.5	NEMA 5-15P	13 kg (29 lbs.)
	220	780	3.5	CEE 7/7 Schuko	13 kg (29 lbs.)
	240	780	3.3	BS-1363	13 kg (29 lbs.)
	220-230 (CE)	780-853	3.5-3.7	CEE 7/7 Schuko	13 kg (29 lbs.)
	230-240 (CE)	716-780	3.1-3.3	BS-1363	13 kg (29 lbs.)
GRSB-36-O	120	1110	9.3	NEMA 5-15P	15 kg (32 lbs.)
	220	1110	5.0	CEE 7/7 Schuko	15 kg (32 lbs.)
	240	1110	4.6	BS-1363	15 kg (32 lbs.)
GRSB-42-F	120	685	5.7	NEMA 5-15P	13 kg (29 lbs.)
	220	627	2.9	CEE 7/7 Schuko	13 kg (29 lbs.)
	240	746	3.1	BS-1363	13 kg (29 lbs.)
GRSB-42-I	100	885	8.9	NEMA 5-15P	15 kg (32 lbs.)
	120	885	7.4	NEMA 5-15P	15 kg (32 lbs.)
	220	885	4.0	CEE 7/7 Schuko	15 kg (32 lbs.)
	240	885	3.7	BS-1363	15 kg (32 lbs.)
	220-230 (CE)	885-967	4.0-4.2	CEE 7/7 Schuko	15 kg (32 lbs.)
	230-240 (CE)	813-885	3.5-3.7	BS-1363	15 kg (32 lbs.)
GRSB-42-O	120	1270	10.6	NEMA 5-15P	16 kg (35 lbs.)
	220	1236	5.6	CEE 7/7 Schuko	16 kg (35 lbs.)
	240	1305	5.4	BS-1363	16 kg (35 lbs.)

Las zonas sombreadas contienen información sobre la clasificación eléctrica de los modelos internacionales únicamente.

## Cuadro de Clasificación Eléctrica — Modelos GRSB

Modelo	Voltaje	Vatios	Amperios	Configuraciones del Enchufe	Peso de Envío
GRSB-48-F	120	770	6.4	NEMA 5-15P	15 kg (33 lbs.)
	220	705	3.2	CEE 7/7 Schuko	15 kg (33 lbs.)
	240	828	3.5	BS-1363	15 kg (33 lbs.)
GRSB-48-I	100	1000	10.0	NEMA 5-15P	16 kg (36 lbs.)
	120	1000	8.3	NEMA 5-15P	16 kg (36 lbs.)
	220	1000	4.5	CEE 7/7 Schuko	16 kg (36 lbs.)
	240	1000	4.2	BS-1363	16 kg (36 lbs.)
	220–230 (CE)	1000–1093	4.5–4.7	CEE 7/7 Schuko	16 kg (36 lbs.)
230–240 (CE)	918–1000	4.0–4.2	BS-1363	16 kg (36 lbs.)	
GRSB-48-O	120	1430	11.9	NEMA 5-15P	18 kg (39 lbs.)
	220	1430	6.5	CEE 7/7 Schuko	18 kg (39 lbs.)
	240	1430	6.0	BS-1363	18 kg (39 lbs.)
GRSB-54-I	100	1110	11.1	NEMA 5-15P	20 kg (43 lbs.)
	120	1110	9.3	NEMA 5-15P	20 kg (43 lbs.)
	220	1110	5.0	CEE 7/7 Schuko	20 kg (43 lbs.)
	240	1110	4.6	BS-1363	20 kg (43 lbs.)
	220–230 (CE)	1110–1213	5.0–5.3	CEE 7/7 Schuko	20 kg (43 lbs.)
230–240 (CE)	1019–1110	4.4–4.6	BS-1363	20 kg (43 lbs.)	
GRSB-60-F	120	950	7.9	NEMA 5-15P	20 kg (45 lbs.)
	220	870	4.0	CEE 7/7 Schuko	20 kg (45 lbs.)
	240	1034	4.3	BS-1363	20 kg (45 lbs.)
GRSB-60-I	100	1220	12.2	NEMA 5-15P	23 kg (50 lbs.)
	120	1220	10.2	NEMA 5-15P	23 kg (50 lbs.)
	220	1220	5.5	CEE 7/7 Schuko	23 kg (50 lbs.)
	240	1220	5.1	BS-1363	23 kg (50 lbs.)
	220–230 (CE)	1220–1333	5.5–5.8	CEE 7/7 Schuko	23 kg (50 lbs.)
230–240 (CE)	1120–1220	4.9–5.1	BS-1363	23 kg (50 lbs.)	
GRSB-60-O	120	1750	14.6	NEMA 5-15P	24 kg (54 lbs.)
	220	1750	8.0	CEE 7/7 Schuko	24 kg (54 lbs.)
	240	1750	7.3	BS-1363	24 kg (54 lbs.)
GRSB-66-I	120	1330	11.1	NEMA 5-15P	25 kg (54 lbs.)
	220	1330	6.0	CEE 7/7 Schuko	25 kg (54 lbs.)
	240	1330	5.5	BS-1363	25 kg (54 lbs.)
	220–230 (CE)	1330–1454	6.0–6.3	CEE 7/7 Schuko	25 kg (54 lbs.)
	230–240 (CE)	1221–1330	5.3–5.5	BS-1363	25 kg (54 lbs.)
GRSB-72-F	120	1130	9.4	NEMA 5-15P	24 kg (52 lbs.)
	220	1034	4.7	CEE 7/7 Schuko	24 kg (52 lbs.)
	240	1230	5.1	BS-1363	24 kg (52 lbs.)
GRSB-72-I	120	1440	12.0	NEMA 5-15P	26 kg (58 lbs.)
	220	1440	6.5	CEE 7/7 Schuko	26 kg (58 lbs.)
	240	1440	6.0	BS-1363	26 kg (58 lbs.)
	220–230 (CE)	1440–1574	6.5–6.8	CEE 7/7 Schuko	26 kg (58 lbs.)
	230–240 (CE)	1322–1440	5.8–6.0	BS-1363	26 kg (58 lbs.)
GRSB-72-O	208	2070	10.0	NEMA 6-15P	29 kg (64 lbs.)
	240	2070	8.6	NEMA 6-15P	29 kg (64 lbs.)
	220	2070	9.4	CEE 7/7 Schuko	29 kg (64 lbs.)
	240	2070	8.6	BS-1363	29 kg (64 lbs.)

Las zonas sombreadas contienen información sobre la clasificación eléctrica de los modelos internacionales únicamente.

## Cuadro de Clasificación Eléctrica — Modelos GRSBF

Modelo	Voltaje	Vatios	Amperios	Configuraciones del Enchufe	Peso de Envío
GRSBF-18-F	120	330	2.8	NEMA 5-15P	7 kg (15 lbs.)
GRSBF-24-F	120	420	3.5	NEMA 5-15P	9 kg (20 lbs.)
GRSBF-24-I	100	550	5.5	NEMA 5-15P	10 kg (22 lbs.)
	120	550	4.6	NEMA 5-15P	10 kg (22 lbs.)
GRSBF-24-S	120	700	5.8	NEMA 5-15P	11 kg (24 lbs.)
	220	640	2.9	CEE 7/7 Schuko	11 kg (24 lbs.)
	240	762	3.2	BS-1363	11 kg (24 lbs.)
GRSBF-24-O	120	790	6.6	NEMA 5-15P	12 kg (26 lbs.)
GRSBF-30-F	120	505	4.2	NEMA 5-15P	10 kg (23 lbs.)
GRSBF-30-I	100	665	6.7	NEMA 5-15P	11 kg (25 lbs.)
	120	665	5.5	NEMA 5-15P	11 kg (25 lbs.)
GRSBF-30-S	120	825	6.9	NEMA 5-15P	12 kg (26 lbs.)
	220	755	3.4	CEE 7/7 Schuko	12 kg (26 lbs.)
	240	898	3.7	BS-1363	12 kg (26 lbs.)
GRSBF-30-O	120	950	7.9	NEMA 5-15P	13 kg (28 lbs.)
GRSBF-36-F	120	590	4.9	NEMA 5-15P	12 kg (26 lbs.)
GRSBF-36-I	100	780	7.8	NEMA 5-15P	13 kg (26 lbs.)
	120	780	6.5	NEMA 5-15P	13 kg (26 lbs.)
GRSBF-36-S	120	950	7.9	NEMA 5-15P	15 kg (31 lbs.)
	220	870	4.0	CEE 7/7 Schuko	15 kg (31 lbs.)
	240	1034	4.3	BS-1363	15 kg (31 lbs.)
GRSBF-36-O	120	1110	9.3	NEMA 5-15P	15 kg (32 lbs.)
	240	1110	4.6	NEMA 6-15P	15 kg (32 lbs.)
	220–230 (CE)	1110–1213	5.0–5.3	CEE 7/7 Schuko	15 kg (32 lbs.)
	230–240 (CE)	1020–1110	4.4–4.6	BS-1363	15 kg (32 lbs.)
GRSBF-42-F	120	685	5.7	NEMA 5-15P	13 kg (29 lbs.)
GRSBF-42-I	100	885	8.9	NEMA 5-15P	15 kg (32 lbs.)
	120	885	7.4	NEMA 5-15P	15 kg (32 lbs.)
GRSBF-42-S	120	1100	9.2	NEMA 5-15P	15 kg (34 lbs.)
	220	1006	4.6	CEE 7/7 Schuko	15 kg (34 lbs.)
	240	1198	5.0	BS-1363	15 kg (34 lbs.)
GRSBF-42-O	120	1270	10.6	NEMA 5-15P	16 kg (35 lbs.)
GRSBF-48-F	120	770	6.4	NEMA 5-15P	15 kg (33 lbs.)
GRSBF-48-I	100	1000	10.0	NEMA 5-15P	16 kg (36 lbs.)
	120	1000	8.3	NEMA 5-15P	16 kg (36 lbs.)
GRSBF-48-S	120	1225	10.2	NEMA 5-15P	17 kg (38 lbs.)
	220	1121	5.1	CEE 7/7 Schuko	17 kg (38 lbs.)
	240	1334	5.6	BS-1363	17 kg (38 lbs.)
GRSBF-48-O	120	1430	11.9	NEMA 5-15P	18 kg (39 lbs.)
	240	1430	6.0	NEMA 6-15P	18 kg (39 lbs.)
	220–230 (CE)	1430–1562	6.5–6.8	CEE 7/7 Schuko	18 kg (39 lbs.)
	230–240 (CE)	1313–1430	5.7–6.0	BS-1363	18 kg (39 lbs.)

Las zonas sombreadas contienen información sobre la clasificación eléctrica de los modelos internacionales únicamente.



## Cuadro de Clasificación Eléctrica — Modelos GRSBF

Modelo	Voltaje	Vatios	Amperios	Configuraciones del Enchufe	Peso de Envío
GRSBF-60-F	120	950	7.9	NEMA 5-15P	20 kg (45 lbs.)
GRSBF-60-I	100	1220	12.2	NEMA 5-15P	23 kg (50 lbs.)
	120	1220	10.2	NEMA 5-15P	23 kg (50 lbs.)
GRSBF-60-S	120	1500	12.5	NEMA 5-20P	24 kg (53 lbs.)
	220	1372	6.2	CEE 7/7 Schuko	24 kg (53 lbs.)
	240	1634	6.8	BS-1363	24 kg (53 lbs.)
GRSBF-60-O	120	1750	14.6	NEMA 5-20P	25 kg (54 lbs.)
	240	1750	7.3	NEMA 6-15P	25 kg (54 lbs.)
	220–230 (CE)	1750–1912	8.0–8.3	CEE 7/7 Schuko	25 kg (54 lbs.)
	230–240 (CE)	1607–1750	7.0–7.3	BS-1363	25 kg (54 lbs.)
GRSBF-72-F	120	1130	9.4	NEMA 5-15P	24 kg (52 lbs.)
GRSBF-72-I	100	1440	14.4	NEMA 5-15P	26 kg (58 lbs.)
	120	1440	12.0	NEMA 5-15P	26 kg (58 lbs.)
GRSBF-72-S	120	1750	14.6	NEMA 5-20P	28 kg (62 lbs.)
	220	1602	7.3	CEE 7/7 Schuko	28 kg (62 lbs.)
	240	1906	7.9	BS-1363	28 kg (62 lbs.)
GRSBF-72-O	208	2070	10.0	NEMA 6-15P	29 kg (64 lbs.)
	240	2070	8.6	NEMA 6-15P	29 kg (64 lbs.)
	220–230 (CE)	2070–2262	9.4–9.8	CEE 7/7 Schuko	29 kg (64 lbs.)
	230–240 (CE)	1901–2070	8.3–8.6	BS-1363	29 kg (64 lbs.)

## INSTALACIÓN

## Generalidades

Use los siguientes procedimientos para instalar las unidades GRS, GRSB y GRSBF.

**⚠ ADVERTENCIA**

**PELIGRO DE QUEMADURAS:** Locate unit a minimum of 25 mm (1") from combustible walls and materials. If safe distances are not maintained, discoloration or combustion could occur.

**⚠ ATENCIÓN**

Ubique la unidad a la altura correcta de la cubierta en un lugar que sea conveniente para usar. El lugar debe estar nivelado para evitar que la unidad o sus contenidos se caigan accidentalmente y debe ser suficientemente fuerte para soportar el peso de la unidad y sus contenidos.

Nunca opere modelos integrados si la caja de control no se ha instalado como se indica en las instrucciones de instalación.

No opere la unidad si no instaló las patas suministradas.

La National Sanitation Foundation (NSF) requiere que las unidades con una longitud mayor de 914 mm (36") o que pesen más de 36 kg (80 lbs) se sellen o queden separadas de la superficie de instalación. Si la unidad no se puede sellar en el lugar de uso, se incluyen unas patas de 102 mm (4") que dejan un espacio adecuado para permitir la limpieza debajo de la unidad.

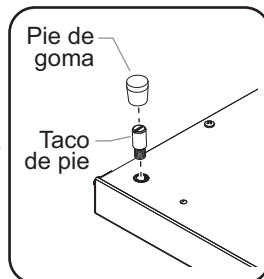
## Modelos GRS

1. Saque la unidad de la caja y póngala boca abajo en el cartón.

*NOTA:* Para evitar retrasos en la obtención de la cobertura de la garantía, registre la garantía en nuestro sitio web. Para obtener más información, consulte la sección INFORMACIÓN IMPORTANTE PARA EL USUARIO.

2. Instale las patas de 25 mm (1") en la unidad.

- a. Enrosque un taco de pie dentro del orificio en cada esquina de la parte inferior de la unidad. Ajuste firmemente pero no apriete demasiado.



- b. Coloque un pie de goma sobre cada taco de pie.

*NOTA:* Si se requieren patas de 102 mm (4"), diríjase a la sección OPCIONES Y ACCESORIOS de este manual para ver las instrucciones de instalación.

3. Ponga la unidad derecha y coloque el calentador en el lugar deseado.

- Coloque la unidad en una zona en la cual la temperatura ambiente sea constante y no sea inferior a 21 °C (70 °F). Evite áreas que puedan ser propensas a circulación de aire o corrientes de aire activas (es decir, puertas al exterior cercanas, extractores o campanas de extracción, conductos de aire acondicionado, etc.)...

...continuación

- Asegúrese de que la unidad esté situada a una altura adecuada en un lugar apropiado para su uso.
- Asegúrese de que la superficie del mostrador esté nivelada y de que pueda soportar el peso de la unidad y de los alimentos.
- Asegúrese de que todas las patas de la unidad estén bien colocadas sobre el mostrador.

**NOTA:** Las unidades que miden 1219 mm (48") de longitud o más requieren dos ménsulas en Z adicionales instaladas a mitad entre la parte delantera y trasera de la unidad.

7. Ajuste los tornillos de montaje en los soportes en Z hasta que la brida superior quede plana en el mostrador.

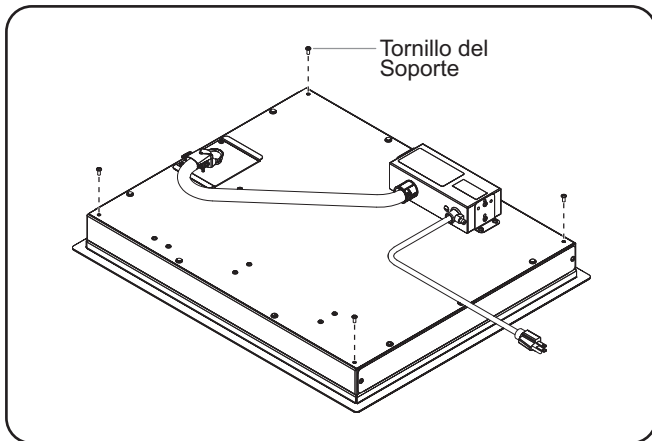
## AVISO

**No use fuerza excesiva al ajustar los tornillos de montaje en las unidades integradas. Esto puede dañar la unidad y/o el mostrador.**

## Modelos GRSB y GRSBF

1. Saque la unidad de la caja y póngala boca abajo en el cartón.

**NOTA:** Para evitar retrasos en la obtención de la cobertura de la garantía, registre la garantía en nuestro sitio web. Para obtener más información, consulte la sección INFORMACIÓN IMPORTANTE PARA EL USUARIO.



Parte inferior del modelo GRSB

2. Extraiga los tornillos del soporte de la parte inferior de la unidad y guárdelos.

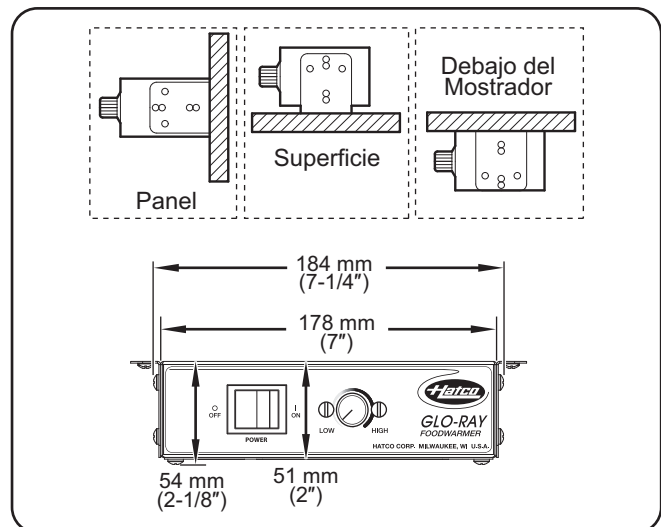
**NOTA:** Podrá mover la caja de control a la ubicación más conveniente en la parte inferior de la unidad. Para instalaciones semi remotas, mantenga en su lugar la caja de control hasta que la unidad se coloque en el mostrador.

## AVISO

**La unidad está diseñada para ser usada en mostradores metálicos y se recomienda respetar estas indicaciones de diseño. La garantía de Hatco no cubrirá ningún daño ocasionado en los materiales de los mostradores. Para otras superficies, consulte al fabricante para saber qué material es adecuado para temperaturas sostenidas de hasta 93 °C (200 °F).**

3. Prepare la abertura del mostrador. Consulte la tabla "Recorte del mostrador" correspondiente en las siguientes páginas para obtener las dimensiones de recorte del mostrador recomendadas.
4. Aplique una perla de sellador aprobado por NSF entre el material del mostrador y la brida de montaje. El sellador debe estar aprobado para su uso a una temperatura mínima de 121°C (250°F).
5. Coloque la unidad en la abertura del mostrador.
6. Ensamble los soportes en Z en la parte inferior de la unidad y vuelva a colocar los cuatro tornillos del soporte que extrajo anteriormente en este procedimiento.

8. Elimine cualquier cantidad excesiva de sellador que hubiera quedado.
9. Si así lo deseara o fuese necesario, la caja de control se puede montar en una ubicación semi remota.
  - a. Quite la caja de control de la parte inferior de la unidad.
  - b. Si fuese necesario, retire los soportes terminales de la caja de control, gírelos para modificar su posición y vuélvalos a ajustar.
  - c. La caja de control puede montarse sobre un panel o una superficie, debajo del mostrador, o puede empotrarse.



Opciones de montaje de la caja de control

- d. La distancia a la que la caja de control puede montarse de la unidad está determinada por el conducto de 914 mm (36"). No coloque el conducto de forma tirante para aumentar la distancia de montaje. Luego de montar la caja de control, el conducto debe tener algo de holgura.

## AVISO

**No modifique el cableado ni corte el cable capilar del termostato en la carcasa del control para aumentar la distancia de montaje remoto. Si corta el cable capilar del termostato, la unidad se recalentará y dañará, así como también el mostrador circundante.**

10. Una vez que se ajustaron todos los componentes, continúe con la sección Operación.

**NOTA:** Se suministra un cable de 1829 mm (6') con este aparato; el exceso de cable se debe colocar ordenadamente para que no cuelgue.



Instalación — Modelo GR SB

**Recorte Del Mostrador Consulte — Modelos GR SB**

Modelo	Ancho	Profundidad
GRSB-24-F	622 mm (24-1/2") – 629 mm (24-3/4")	406 mm (16") – 413 mm (16-1/4")
GRSB-24-I	622 mm (24-1/2") – 629 mm (24-3/4")	508 mm (20") – 413 mm (20-1/4")
GRSB-24-O	622 mm (24-1/2") – 629 mm (24-3/4")	775 mm (30-1/2") – 781 mm (30-3/4")
GRSB-30-F	775 mm (30-1/2") – 781 mm (30-3/4")	406 mm (16") – 413 mm (16-1/4")
GRSB-30-I	775 mm (30-1/2") – 781 mm (30-3/4")	508 mm (20") – 413 mm (20-1/4")
GRSB-30-O	775 mm (30-1/2") – 781 mm (30-3/4")	775 mm (30-1/2") – 781 mm (30-3/4")
GRSB-36-F	927 mm (36-1/2") – 934 mm (36-3/4")	406 mm (16") – 413 mm (16-1/4")
GRSB-36-I	927 mm (36-1/2") – 934 mm (36-3/4")	508 mm (20") – 413 mm (20-1/4")
GRSB-36-O	927 mm (36-1/2") – 934 mm (36-3/4")	775 mm (30-1/2") – 781 mm (30-3/4")
GRSB-42-F	1080 mm (42-1/2") – 1086 mm (42-3/4")	406 mm (16") – 413 mm (16-1/4")
GRSB-42-I	1080 mm (42-1/2") – 1086 mm (42-3/4")	508 mm (20") – 413 mm (20-1/4")
GRSB-42-O	1080 mm (42-1/2") – 1086 mm (42-3/4")	775 mm (30-1/2") – 781 mm (30-3/4")
GRSB-48-F	1232 mm (48-1/2") – 1238 mm (48-3/4")	406 mm (16") – 413 mm (16-1/4")
GRSB-48-I	1232 mm (48-1/2") – 1238 mm (48-3/4")	508 mm (20") – 413 mm (20-1/4")
GRSB-48-O	1232 mm (48-1/2") – 1238 mm (48-3/4")	775 mm (30-1/2") – 781 mm (30-3/4")
GRSB-54-I	1384 mm (54-1/2") – 1391 mm (54-3/4")	508 mm (20") – 413 mm (20-1/4")
GRSB-60-F	1537 mm (60-1/2") – 1543 mm (60-3/4")	406 mm (16") – 413 mm (16-1/4")
GRSB-60-I	1537 mm (60-1/2") – 1543 mm (60-3/4")	508 mm (20") – 413 mm (20-1/4")
GRSB-60-O	1537 mm (60-1/2") – 1543 mm (60-3/4")	775 mm (30-1/2") – 781 mm (30-3/4")
GRSB-66-I	1689 mm (66-1/2") – 1696 mm (66-3/4")	508 mm (20") – 413 mm (20-1/4")
GRSB-72-F	1842 mm (72-1/2") – 1848 mm (72-3/4")	406 mm (16") – 413 mm (16-1/4")
GRSB-72-I	1842 mm (72-1/2") – 1848 mm (72-3/4")	508 mm (20") – 413 mm (20-1/4")
GRSB-72-O	1842 mm (72-1/2") – 1848 mm (72-3/4")	775 mm (30-1/2") – 781 mm (30-3/4")



Instalación — Modelo GRSBF

**Recorte Del Mostrador Consulte — Modelos GRSBF**

Modelo	Ancho	Profundidad
GRSBF-18-F	470 mm (18-1/2") – 476 mm (18-3/4")	406 mm (16") – 413 mm (16-1/4")
GRSBF-24-F	622 mm (24-1/2") – 629 mm (24-3/4")	406 mm (16") – 413 mm (16-1/4")
GRSBF-24-I	622 mm (24-1/2") – 629 mm (24-3/4")	508 mm (20") – 514 mm (20-1/4")
GRSBF-24-S	622 mm (24-1/2") – 629 mm (24-3/4")	622 mm (24-1/2") – 629 mm (24-3/4")
GRSBF-24-O	622 mm (24-1/2") – 629 mm (24-3/4")	775 mm (30-1/2") – 781 mm (30-3/4")
GRSBF-30-F	775 mm (30-1/2") – 781 mm (30-3/4")	406 mm (16") – 413 mm (16-1/4")
GRSBF-30-I	775 mm (30-1/2") – 781 mm (30-3/4")	508 mm (20") – 514 mm (20-1/4")
GRSBF-30-S	775 mm (30-1/2") – 781 mm (30-3/4")	622 mm (24-1/2") – 629 mm (24-3/4")
GRSBF-30-O	775 mm (30-1/2") – 781 mm (30-3/4")	775 mm (30-1/2") – 781 mm (30-3/4")
GRSBF-36-F	927 mm (36-1/2") – 934 mm (36-3/4")	406 mm (16") – 413 mm (16-1/4")
GRSBF-36-I	927 mm (36-1/2") – 934 mm (36-3/4")	508 mm (20") – 514 mm (20-1/4")
GRSBF-36-S	927 mm (36-1/2") – 934 mm (36-3/4")	622 mm (24-1/2") – 629 mm (24-3/4")
GRSBF-36-O	927 mm (36-1/2") – 934 mm (36-3/4")	775 mm (30-1/2") – 781 mm (30-3/4")
GRSBF-42-F	1080 mm (42-1/2") – 1086 mm (42-3/4")	406 mm (16") – 413 mm (16-1/4")
GRSBF-42-I	1080 mm (42-1/2") – 1086 mm (42-3/4")	508 mm (20") – 514 mm (20-1/4")
GRSBF-42-S	1080 mm (42-1/2") – 1086 mm (42-3/4")	622 mm (24-1/2") – 629 mm (24-3/4")
GRSBF-42-O	1080 mm (42-1/2") – 1086 mm (42-3/4")	775 mm (30-1/2") – 781 mm (30-3/4")
GRSBF-48-F	1232 mm (48-1/2") – 1238 mm (48-3/4")	406 mm (16") – 413 mm (16-1/4")
GRSBF-48-I	1232 mm (48-1/2") – 1238 mm (48-3/4")	508 mm (20") – 514 mm (20-1/4")
GRSBF-48-S	1232 mm (48-1/2") – 1238 mm (48-3/4")	622 mm (24-1/2") – 629 mm (24-3/4")
GRSBF-48-O	1232 mm (48-1/2") – 1238 mm (48-3/4")	775 mm (30-1/2") – 781 mm (30-3/4")
GRSBF-60-F	1537 mm (60-1/2") – 1543 mm (60-3/4")	406 mm (16") – 413 mm (16-1/4")
GRSBF-60-I	1537 mm (60-1/2") – 1543 mm (60-3/4")	508 mm (20") – 514 mm (20-1/4")
GRSBF-60-S	1537 mm (60-1/2") – 1543 mm (60-3/4")	622 mm (24-1/2") – 629 mm (24-3/4")
GRSBF-60-O	1537 mm (60-1/2") – 1543 mm (60-3/4")	775 mm (30-1/2") – 781 mm (30-3/4")
GRSBF-72-F	1842 mm (72-1/2") – 1848 mm (72-3/4")	406 mm (16") – 413 mm (16-1/4")
GRSBF-72-I	1842 mm (72-1/2") – 1848 mm (72-3/4")	508 mm (20") – 514 mm (20-1/4")
GRSBF-72-S	1842 mm (72-1/2") – 1848 mm (72-3/4")	622 mm (24-1/2") – 629 mm (24-3/4")
GRSBF-72-O	1842 mm (72-1/2") – 1848 mm (72-3/4")	775 mm (30-1/2") – 781 mm (30-3/4")

## Generalidades

Siga el procedimiento a continuación para encender y operar las unidades GRS, GRSB y GRSBF.

### ⚠ ADVERTENCIA

Lea todos los mensajes de seguridad de la sección Información de seguridad importante antes de operar el equipo.

1. Enchufe la unidad a un tomacorriente adecuadamente puesto a tierra del voltaje, el tamaño y la configuración de enchufe correctos. Para obtener más detalles, consulte la sección ESPECIFICACIONES de este manual.
2. Mueva el interruptor de Encendido/Apagado (I/O) hacia la posición de Encendido (I).

### ⚠ ATENCIÓN

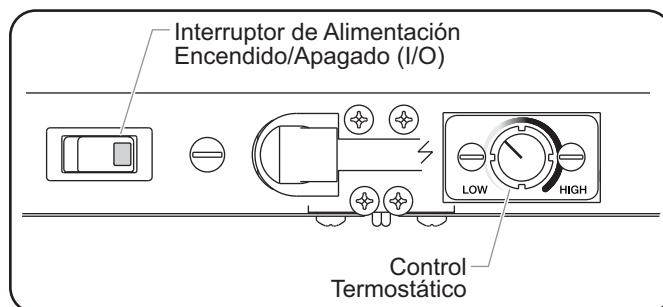
**PELIGRO DE QUEMADURAS:** Algunas superficies exteriores de la unidad se calientan. Tenga precaución al tocar estas áreas.

3. Gire el termostato a la posición para la temperatura deseada.

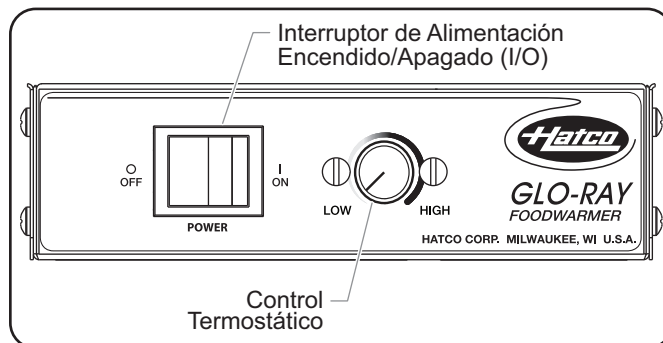
*NOTA: Si se gira el control de temperatura hacia la derecha, se aumenta la configuración de temperatura. Si se gira el control de temperatura hacia la izquierda, se disminuye la configuración de temperatura.*

4. Deje que transcurran de 30 minutos para alcanzar la temperatura de funcionamiento.

*NOTA: Para obtener información sobre la instalación y el funcionamiento de las unidades equipadas con una carcasa de control remoto de estilo al ras, consulte la sección OPCIONES Y ACCESORIOS.*



Panel de Control — Modelo GRS



Panel de Control — Modelos GRSB y GRSBF

## MANTENIMIENTO

## Generalidades

Los anaqueles calentados Glo-Ray de Hatco están diseñados para brindar una durabilidad y rendimiento máximos con un mínimo de mantenimiento.

### ⚠ ADVERTENCIA

**PELIGRO DE DESCARGA ELÉCTRICA:**

- Antes de realizar cualquier tipo de limpieza, ajuste o mantenimiento, APAGUE el interruptor, desenchufe el cable de alimentación y deje que la unidad se enfríe.
- NO sumerja ni sature la unidad con agua. La unidad no es impermeable. No opere la unidad si ésta se sumergió o saturó con agua.
- No limpie con vapor ni use agua en exceso en la unidad.
- No limpie la unidad cuando esté energizada o caliente.

Utilice únicamente Piezas de Repuesto Originales de la marca Hatco cuando lleve a cabo tareas de mantenimiento. Si no utiliza Piezas de Repuesto Originales de la marca Hatco, todas las garantías quedarán anuladas y los usuarios de la unidad quedarán expuestos a una tensión eléctrica peligrosa que podría causar choques eléctricos y quemaduras. Las Piezas de Repuesto Originales de la marca Hatco están diseñadas para garantizar un funcionamiento seguro en los entornos en que se utilizan. Algunas piezas de repuesto secundarias o genéricas no cuentan con las características que les permiten funcionar de forma segura en aparatos de la marca Hatco.

### ⚠ ADVERTENCIA

**Esta unidad no tiene piezas a las que el usuario pueda realizar mantenimiento. Si necesita realizar mantenimiento en esta unidad, comuníquese con un agente de servicio autorizado de Hatco o con el Departamento de Servicio de Hatco al 414-671-6350; fax 414-671-3976.**

## Limpieza

Para preservar el acabado brillante del anaquel calentador Glo-Ray, se recomienda limpiar diariamente las superficies con un paño húmedo.

### AVISO

**Use sólo limpiadores no abrasivos. Los limpiadores abrasivos podrían rayar el acabado de la unidad, estropear su apariencia y hacerla susceptible a la acumulación de suciedad.**

1. Apague la unidad, desenchufe el cable de alimentación y deje que se enfríe la unidad.
2. Si fuese necesario, retire y lave todos los recipientes.
3. Limpie todas las superficies metálicas con un paño húmedo no abrasivo. Las manchas resistentes pueden quitarse con un buen limpiador no abrasivo o para acero inoxidable. Limpie las áreas de difícil acceso usando un cepillo pequeño y jabón neutro.
4. Seque todas las superficies usando un paño seco no abrasivo.

## ⚠️ ADVERTENCIA

Sólo personal calificado debe realizar mantenimiento a la unidad. El mantenimiento realizado por personal no calificado puede causar descargas eléctricas o quemaduras.

## ⚠️ ADVERTENCIA

**PELIGRO DE DESCARGA ELÉCTRICA:** Desenchufe el cable de alimentación o **APAGUE** el interruptor con fusibles/cortocircuito y deje que la unidad se enfríe antes de realizar ninguna operación de mantenimiento o limpieza.

Síntoma	Causa Probable	Acción Correctiva
La unidad está demasiado caliente.	El control termostático está configurado demasiado alto.	Ajuste el control de temperatura en un nivel más bajo.
	El control termostático está atascado en la posición de "encendido".	Póngase en contacto con un agente de servicio autorizado o con Hatco para asistencia.
	La unidad está enchufada a una fuente de alimentación incorrecta.	Consulte con personal calificado para verificar que la alimentación corresponda a la detallada en las especificaciones de la unidad.
La unidad no está lo suficientemente caliente.	El control termostático está configurado demasiado bajo.	Ajuste el control de temperatura en un nivel más alto.
	La ubicación de la unidad es susceptible a corrientes de aire (conductos de aire acondicionado o extractores).	Bloquee las corrientes de aire o reubique la unidad.
La unidad no funciona en absoluto.	La unidad no está enchufada.	Enchufe la unidad a una fuente de alimentación adecuada.
	La unidad no está encendida.	Mueva el interruptor de Encendido/Apagado (I/O) a la posición de Encendido (I).
	El interruptor de Encendido/Apagado (I/O) no funciona.	Póngase en contacto con un agente de servicio autorizado o con Hatco para asistencia.
	La resistencia se quemó.	Póngase en contacto con un agente de servicio autorizado o con Hatco para asistencia.
	El control termostático es defectuoso.	Póngase en contacto con un agente de servicio autorizado o con Hatco para asistencia.

## OPCIONES Y ACCESORIOS

### Patas ajustables de 102 mm (Modelo GRS)

Siga el procedimiento a continuación para instalar las patas ajustables de 102 mm (4") en un modelo GRS.

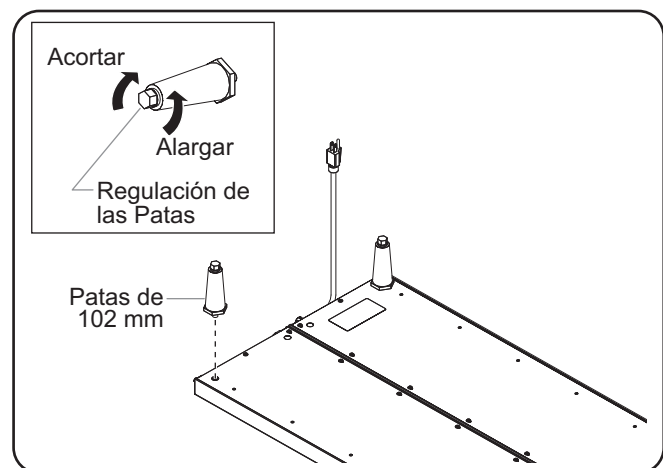
*NOTA: Las patas de 102 mm (4") son estándar en los modelos de 1067 mm (42") y de mayor anchura.*

1. Apague la unidad, desenchufe el cable y permita que la unidad se enfríe.

### AVISO

**No ubique la unidad sobre el lado del panel de control. Podrían producirse daños en la unidad.**

2. Ponga cuidadosamente la unidad boca abajo y apóyela sobre una superficie plana. Asegúrese de cubrir la superficie con algo para evitar que la unidad se raye.
3. En cada esquina, enrosque una pata de 102 mm (4") en la parte inferior de la unidad. Ajústelas manualmente hasta que queden firmes. No apriete demasiado.
4. Coloque la unidad nuevamente en posición vertical.



Colocación de las patas

*NOTA: Los pies de las patas de 102 mm (4") se ajustan para nivelar la unidad. Use una llave de boca de 14 mm (9/16") para realizar los ajustes de nivelación una vez que haya colocado la unidad en la posición final.*

### Carcasas del Control Remoto (Modelos GRSB y GRSBF)

Se encuentran disponibles dos carcasas de control remoto de estilo al ras para las unidades GRSB y GRSBF: la carcasa del control termostático mecánico y la carcasa del control de indicación de temperatura (ITC) digital. Ambas carcasas de control se instalan a través del siguiente procedimiento.

**⚠ ADVERTENCIA**

La carcasa del control remoto debe montarse en una pared vertical e instalarse además en posición vertical. El montaje de la carcasa del control remoto en posición horizontal puede ocasionar la recolección de líquidos y provocar una descarga eléctrica.

**AVISO**

Instale la carcasa del control remoto fuera de la zona de calor. Si ubica la carcasa del control dentro de la zona de calor, provocará que éste se sobrecaliente, funcione de manera defectuosa y falle.

No modifique el cableado ni corte el cable capilar del termostato en la carcasa del control para aumentar la distancia de montaje remoto. Si corta el cable capilar del termostato, la unidad se recalientará y dañará, así como también el mostrador circundante.

NOTA: Se recomienda un electricista calificado para conectar la unidad a una fuente de alimentación.

1. Prepare el recorte y perfore los orificios para los tornillos (vea la ilustración a continuación para obtener información sobre las dimensiones).
2. Extraiga la cubierta de los componentes de la carcasa de control.
3. Ubique la carcasa de control en la abertura a través de la parte trasera.
4. Fije la carcasa de control a la superficie mediante tornillos (no suministrados).
5. Conecte una fuente de alimentación adecuada a la carcasa de control remoto.

6. Vuelva a instalar la cubierta de los componentes. Selle la cubierta de los componentes a la superficie de montaje con adhesivo de silicona.

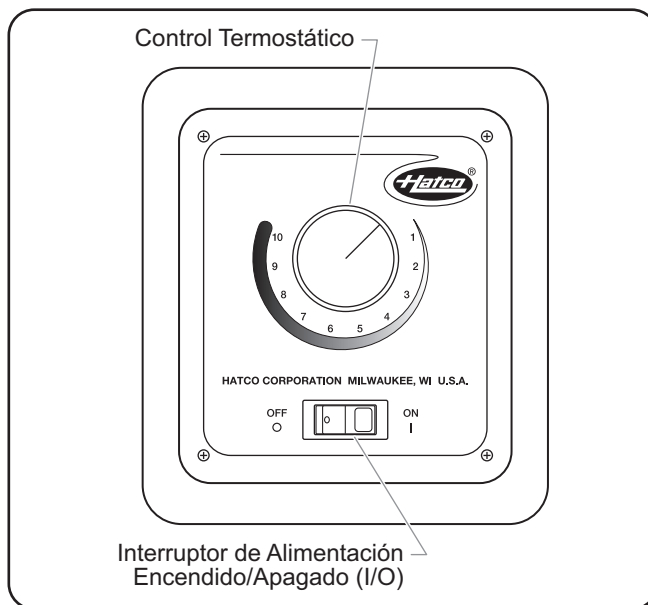
NOTA: Las unidades están equipadas con un conducto flexible de 914 mm (36") que conecta la carcasa de control a la unidad.

#### Interruptor de Encendido/Apagado

Ambas carcasas de control remoto de estilo al ras están equipadas con un interruptor de Encendido/Apagado (I/O). Mueva el interruptor de ENCENDIDO/APAGADO (I/O) a la posición ENCENDIDO para activar la unidad. La luz indicadora en el interruptor brilla cuando la unidad está encendida.

#### Ajuste del control termostático

Gire el control de temperatura hacia la derecha para aumentar la calibración de temperatura. Gire el control de temperatura hacia la izquierda para disminuir la calibración de temperatura.



Carcasa del control termostático

...continuación

Vista Frontal del Recorte

**NOTA IMPORTANTE:**  
Asegúrese de que la ubicación donde instalará la carcasa de control tenga suficiente espacio para las conexiones eléctricas.

Vista Lateral de la Carcasa Instalada

Dimensiones de Instalación de la Carcasa del Control Remoto

## Cambio del punto de ajuste de temperatura: controlador digital de temperatura

Las unidades equipadas con un controlador digital de temperatura se calentarán hasta el punto de ajuste de temperatura automáticamente cuando se enciendan. Realice el siguiente procedimiento para cambiar el punto de ajuste de temperatura.

*NOTA: La temperatura que aparece en la pantalla puede ser inexacta cuando la temperatura de la unidad está por debajo de 130 °F (54 °C).*

Si se interrumpe la secuencia de programación antes de completar el último paso, los valores cambiados no se aceptarán en la memoria.

1. Presione la tecla **set** tres veces. El punto de ajuste de temperatura actual se muestra en la pantalla TEMPERATURA (aparecerá "SP" después de presionar la segunda vez).
2. Presione la tecla **▲** o la tecla **▼** durante 10 segundos para cambiar el punto de ajuste de temperatura.
3. Presione la tecla **set** para fijar el nuevo punto de ajuste de temperatura. La pantalla TEMPERATURA quedará en blanco por dos segundos para mostrar que la nueva configuración se ha aceptado.

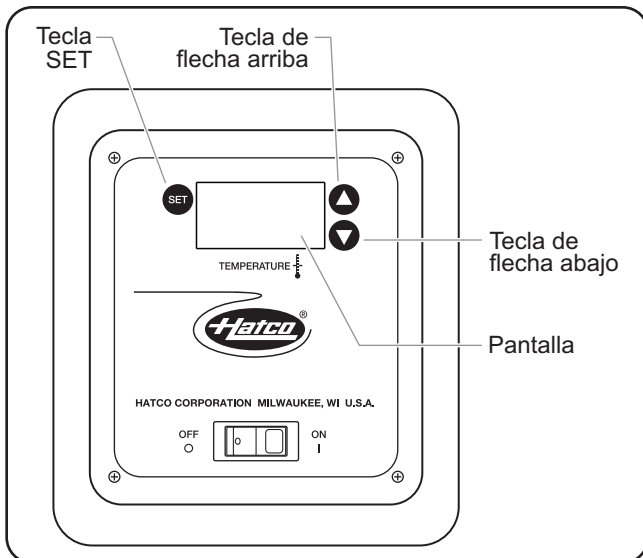
*NOTA: Después de 10 segundos de inactividad durante el proceso de programación, el controlador sale del modo de programación automáticamente sin guardar ningún cambio.*

## Cambio de ajuste de grados Fahrenheit y Celsius: Controlador digital de temperatura

Realice el siguiente procedimiento para cambiar entre grados Fahrenheit y Celsius en la pantalla.

1. Presione la tecla **set** una vez. Aparecerá una "F" por Fahrenheit, o una "C" por Celsius.
2. Presione la tecla **▲** o la tecla **▼** durante 10 segundos para cambiar entre "F" (Fahrenheit) y "C" (Celsius).
3. Presione la tecla **set** tres veces para fijar el nuevo ajuste. La pantalla TEMPERATURA quedará en blanco por dos segundos para mostrar que la nueva configuración se ha aceptado.

*NOTA: Después de 10 segundos de inactividad durante el proceso de programación, el controlador sale del modo de programación automáticamente sin guardar ningún cambio.*



Controlador digital de temperatura



**1. GARANTÍA DEL PRODUCTO**

Hatco garantiza que los productos que fabrica estarán libres de defectos en los materiales, bajo condiciones normales de uso y servicio, durante un período de un (1) año a partir de la fecha de compra cuando se instalan y reciben mantenimiento de acuerdo con las instrucciones por escrito de Hatco, o por 18 meses a partir de su envío por Hatco. El comprador debe establecer la fecha de compra del producto registrando el producto con Hatco o por otros medios que Hatco considere satisfactorios a su discreción exclusiva.

Hatco garantiza que los siguientes componentes del producto están libres de defectos en materiales a partir de la fecha de compra (sujetos a las condiciones precedentes) durante los períodos de tiempo y las condiciones que figuran a continuación:

**a) Garantía de Dos (2) Años para las Piezas:**

Componentes de la Tostadora de Correa Transportadora (recubiertos de metal)

Resistencias de los Cajones Térmicos (recubiertos de metal)

Cajones Térmicos, rodillos del cajón y piezas deslizantes

Elementos calentadores de banda (recubiertos de metal)

Resistencias de vitrinas expositoras (calor por aire recubierto de metal)

Resistencias de vitrinas mantenedoras (calor por aire recubierto de metal)

Elementos de embalse acalorados — Series HWB (recubiertos de metal)

**b) Garantía de Cinco (5) Años para las Piezas:**

Depósitos 3DS y FR

**c) Garantía de Diez (10) Años para las Piezas:**

Calentadores de agua eléctricos de refuerzo

Calentadores de agua a gas de refuerzo

**d) Garantía de Noventa (90) Días para las Piezas:**

Piezas de Repuesto

LAS GARANTÍAS ANTERIORES SON EXCLUSIVAS Y SUSTITUYEN A CUALQUIER OTRA GARANTÍA, EXPRESA O IMPLÍCITA, INCLUYENDO PERO SIN LIMITARSE A CUALQUIER GARANTÍA IMPLÍCITA DE COMERCIABILIDAD O ADECUACIÓN PARA UN FIN PARTICULAR O PATENTE U OTRA INFRACCIÓN DEL DERECHO DE PROPIEDAD INTELECTUAL. Sin limitar la generalidad de lo anterior, TALE GARANTÍAS NO CUBREN: Bombillas incandescentes revestidas, bombillas fluorescentes, bombillas para lámparas de calor, bombillas halógenas revestidas, bombillas halógenas para lámparas de calor, bombillas de xenón, tubos de LED, componentes de vidrio y fusibles; mal funcionamiento del Producto en los calentadores de agua, en los intercambiadores de calor de tubos aleateados o en cualquier otro equipo de calefacción de agua causado por acumulación de cal, acumulación de sedimentos, productos químicos o congelación; o por el uso indebido, manipulación, aplicación indebida, instalación deficiente o suministro de tensión eléctrica inadecuado al Producto.

**2. LIMITACIÓN DE REMEDIOS Y DAÑOS**

La responsabilidad de Hatco y los derechos del Comprador descritos a continuación se limitarán exclusivamente al reemplazo de la pieza o del Producto empleando, a discreción de Hatco, piezas nuevas o restauradas o un Producto nuevo o restaurado por Hatco o uno de sus centros de servicio autorizados siempre que la reclamación se haya efectuado dentro de los plazos de garantía mencionados anteriormente. Hatco se reserva el derecho a aceptar o rechazar de forma total o parcial cualquier reclamación efectuada. A efectos de la presente Garantía Limitada, se entenderá por "restaurado/a" la pieza o el Producto que haya recuperado sus especificaciones originales tras haber sido reparado/a por Hatco o por uno de sus centros de servicio autorizados. Hatco no aceptará la devolución de ningún producto sin la previa aprobación de Hatco por escrito, y en todas las devoluciones aprobadas el comprador correrá con los gastos. HATCO NO SERÁ RESPONSABLE, BAJO NINGUNA CIRCUNSTANCIA, DE DAÑOS INDIRECTOS O INCIDENTALES, INCLUYENDO PERO SIN LIMITARSE A COSTOS DE MANO DE OBRA O PÉRDIDA DE INGRESOS QUE RESULTEN DEL USO O DE LA INCAPACIDAD DE USAR EL PRODUCTO O DE QUE EL PRODUCTO SE INCORPORA A OTRO PRODUCTO O MERCANCÍA O SEA UN COMPONENTE DE DICHO PRODUCTO.

**INFORMACIÓN DEL SERVICIO DE GARANTÍA**

La garantía de los estantes calentados Hatco Glo-Ray® es válida por un año desde la fecha de compra o dieciocho meses desde la fecha de envío de Hatco, lo que ocurra primero.

Ante cualquier problema con un estante calentado durante el período de garantía, realice lo siguiente:

**Diríjase a su distribuidor local de Hatco**

Al comunicarse con un distribuidor de Hatco para recibir asistencia con el servicio, proporcione al distribuidor la siguiente información para asegurar un pronto procesamiento:

- Modelo de la Unidad
- Número de Serie (ubicada en la parte inferior del modelo GRS, o en la parte inferior de la caja de control de los modelos GRSB y GRSBF)
- Problema Específico con la Unidad
- Fecha de Compra
- Nombre de su Negocio
- Dirección de Envío
- Nombre de Contacto y Número de Teléfono

El distribuidor de Hatco hará lo siguiente:

- Proporcionará piezas de repuesto, según sea requerido
- Presentará un reclamo bajo la garantía a Hatco para su procesamiento

**Problemas no relacionados con la garantía**

Si tiene un problema no relacionado con la garantía y que requiere asistencia, póngase en contacto con el Centro de Servicio Autorizado por Hatco más cercano. Para localizar el Centro de Servicio más próximo:

- Visite el sitio web de Hatco: [www.hatcocorp.com](http://www.hatcocorp.com), seleccione el menú desplegable "Recursos" (Resources) y haga clic en "Localizar un Centro de Servicio/Distribuidor" (Find Service Agent/Distributor)
- Llame al número de teléfono del Servicio de Atención al Cliente de Hatco: 414-671-6350
- Mandé un e-mail al Servicio de Atención al Cliente de Hatco a la siguiente dirección: [partsandservice@hatcocorp.com](mailto:partsandservice@hatcocorp.com)

Informations Importantes pour le Propriétaire.....	42	Mode d'emploi.....	57
Introduction.....	42	Généralités.....	57
Consignes de Sécurité Importantes.....	43	Maintenance.....	57
Description du Modèle.....	44	Nettoyage.....	57
Désignation du Modèle.....	44	Remplacement du tube d'éclairage.....	57
Caractéristiques Techniques.....	45	Guide de Dépannage.....	58
Configuration des Fiches.....	45	Options et accessoires.....	58
Dimensions.....	45	Garantie Limitée Internationale.....	61
Tableau des valeurs nominales électriques.....	48	Informations de Service.....	61
Installation.....	53		
Généralités.....	53		
Modèles GRS.....	53		
Modèles GRSB et GRSBF.....	54		

## INFORMATIONS IMPORTANTES POUR LE PROPRIÉTAIRE

Notez le numéro de modèle, le numéro de série, la tension et la date d'achat de l'appareil dans les espaces ci-dessous (étiquette des caractéristiques située en bas des modèles GRS ou en bas du boîtier de contrôle des modèles GRSB et GRSBF). Veuillez avoir cette information à portée de la main si vous appelez Hatco pour assistance.

Modèle No. \_\_\_\_\_

Numéro de série \_\_\_\_\_

Voltage \_\_\_\_\_

Date d'achat \_\_\_\_\_

### Enregistrez votre appareil!

Remplissez la garantie en ligne pour éviter les retards pour faire jouer la garantie. Accédez au site Web Hatco [www.hatcocorp.com](http://www.hatcocorp.com), sélectionnez le menu déroulant Parts & Service, puis cliquez sur Warranty Registration.

Horaires  
ouvrables : 7h00 à 17h00  
Heure du Centre des États-Unis (CST)  
(Horaires d'été : juin à septembre—  
7h00 à 17h00 CST du lundi au jeudi  
7h00 à 16h00 CST le vendredi)

Téléphone : +1-414-671-6350

Courriel: [partsandservice@hatcocorp.com](mailto:partsandservice@hatcocorp.com)

Télécopieur : +1-414-671-3976 (Pièces et Service après-vente)

Des renseignements supplémentaires sont disponibles sur notre site Web à [www.hatcocorp.com](http://www.hatcocorp.com).



#### Mise au rebut correcte de ce produit

Cette indication signale que ce produit et ses composants électroniques ne doivent pas être jetés avec les autres déchets commerciaux. Dans le but d'éviter tout danger pour l'environnement ou la santé humaine susceptible d'être causé par la mise au rebut non contrôlée des déchets, recyclez de manière responsable afin de promouvoir la réutilisation durable des ressources matérielles. Contactez le vendeur du produit pour mettre au rebut ce produit et ses composants électroniques afin de recycler de manière écologique.

## INTRODUCTION

Les rayonnages chauffants Glo-Ray Hatco sont conçus pour garder les aliments préparés chauds dans une cuisine, une station de serveur ou un point de service de clients. Le rayonnage chauffant Glo-Ray garde l'ensemble des aliments à une température de service optimale sans en affecter la qualité. Ce dispositif de réchauffage possède une base chauffante contrôlée par un thermostat en vue d'augmenter les périodes d'attente pour la plupart des aliments.

Les rayonnages chauffants Glo-Ray sont le produit de recherches et de tests sur le terrain intensifs. Les matériaux utilisés ont été sélectionnés pour une durabilité maximale, une apparence attractive et des performances optimales. Chaque appareil est soigneusement inspecté et testé avant expédition.

Ce manuel fournit des instructions pour l'entretien, l'utilisation et le fonctionnement des réchauffeurs de bande de Glo-Ray. Hatco vous recommande de lire l'ensemble des instructions d'installation, de sécurité et de fonctionnement contenues dans ce manuel avant d'installer et d'utiliser l'appareil.

Les consignes de sécurité qui apparaissent dans ce manuel sont identifiées par les mots indicateurs suivants :

### ⚠ AVERTISSEMENT

**AVERTISSEMENT** indique une situation dangereuse qui, si elle n'est pas évitée, peut provoquer la mort ou des blessures graves.

### ⚠ ATTENTION

**ATTENTION** indique une situation dangereuse qui, si elle n'est pas évitée, peut provoquer des blessures légères ou moyennes.

### AVIS

**AVIS** est utilisé pour des questions sans rapport avec des blessures corporelles.



Lisez l'information de sécurité importante suivante avant d'utiliser cet équipement pour éviter des dommages ou la mort sérieux et pour éviter d'endommager l'équipement ou la propriété.

### ⚠ AVERTISSEMENT

#### DANGER DE DÉCHARGE ÉLECTRIQUE :

- Branchez l'unité à une prise correctement reliée à la terre et possédant le voltage, la dimension et la configuration adéquats. Si la fiche et la prise ne correspondent pas, contactez un électricien qualifié afin de déterminer et d'installer une prise électrique possédant la taille et la tension adéquate.
- Mettez l'unité hors tension depuis l'interrupteur, débranchez le cordon d'alimentation et laissez l'unité refroidir avant d'effectuer tout nettoyage, tout réglage ou tout entretien.
- NE PAS immerger l'appareil ni le saturer d'eau. L'appareil n'est pas étanche à l'eau. Ne pas le faire fonctionner s'il a été immergé ou saturé d'eau.
- L'appareil n'est pas à l'épreuve des intempéries. Placer l'appareil à l'intérieur à une température ambiante de 21°C minimum.
- Ne tirez pas l'unité par le cordon d'alimentation.
- Interrompez l'utilisation de l'unité si le cordon d'alimentation est effiloché ou usé.
- N'essayez jamais de réparer ou de remplacer un cordon d'alimentation. Celui-ci devra être remplacé par Hatco, un agent de service agréé par Hatco ou une personne possédant des qualifications similaires.
- Ne pas nettoyer à la vapeur ni utiliser trop d'eau sur l'appareil.
- Cet appareil n'est pas étanche aux jets. Ne pas utiliser de jet sous pression pour nettoyer l'appareil.
- Ne pas nettoyer l'appareil lorsqu'il est sous tension.
- Cet appareil doit uniquement être réparé par un personnel qualifié. Toute réparation par un personnel non qualifié peut entraîner une électrocution et des brûlures.
- Le boîtier de contrôle à distance doit être installé en position verticale sur un mur vertical. Si le boîtier de contrôle à distance est installé en position horizontale, du liquide risque de s'accumuler à l'intérieur et provoquer une décharge électrique.
- Pour les réparations, utiliser exclusivement des pièces de rechange Hatco d'origine. Utilisez des pièces détachées Hatco authentiques sous peine d'annuler toutes les garanties et d'exposer l'utilisateur à des tensions électriques dangereuses pouvant entraîner une électrocution ou des brûlures. Les pièces de rechange Hatco d'origine sont conçues pour fonctionner sans danger dans les environnements dans lesquels elles sont utilisées. Certaines pièces de rechange génériques ou de second marché ne présentent pas les caractéristiques leur permettant de fonctionner sans danger dans la matériel Hatco.

**DANGER D'INCENDIE :** Placez l'unité à au moins 25 mm (1 po) des murs combustibles et des produits. Si les distances de sécurité ne sont pas respectées, une décoloration ou combustion peut avoir lieu.

Cet appareil ne doit pas être utilisé par des enfants ou des personnes avec des capacités physiques, sensorielles ou mentales diminuées. Assurez-vous que les enfants sont bien surveillés et tenez-les à l'écart de l'appareil.

S'assurer que le produit alimentaire a été chauffé à une température adaptée au maintien de sa salubrité avant de le mettre dans l'appareil sous peine de risques graves pour la santé. Cet appareil est destiné au maintien au chaud de produits alimentaires préchauffés uniquement.

### ⚠ AVERTISSEMENT

Assurez-vous que tous les opérateurs ont été formés à l'utilisation sûre et correcte de l'appareil.

Cet appareil ne contient aucune pièce réparable par l'utilisateur. Si cet appareil doit être réparé, contacter un réparateur Hatco agréé ou le Service après-vente Hatco au +1 414-671-6350 ; télécopieur +1 414-671-3976.

### ⚠ ATTENTION

**DANGER DE BRÛLURE :** Certaines surfaces extérieures de l'appareil deviennent chaudes. Toucher ces zones de l'appareil avec précaution.

Placez l'unité à une hauteur adaptée au comptoir, à un emplacement pratique à utiliser. L'emplacement doit être plan pour éviter que l'unité ou son contenu ne tombe accidentellement, et suffisamment solide pour supporter le poids de l'unité et de son contenu.

Ne faites pas fonctionner les modèles intégrés si le boîtier de contrôle n'est pas installé conformément aux instructions d'installation.

Ne faites pas fonctionner l'appareil sans avoir installé les pieds fournis.

La National Sanitation Foundation (NSF) exige que les appareils mesurant plus de 914 mm (36 po) de largeur et pesant plus de 36 kg (80 lbs.) soient hermétiquement fixés ou rehaussés sur la surface d'installation. Si l'unité ne peut pas être fixée à l'endroit d'utilisation, des pieds de 102 mm (4 po) sont fournis pour permettre le nettoyage du dessous de l'unité.

### AVIS

L'appareil est conçu et recommandé pour une utilisation sur ou dans des comptoirs métalliques. Les dommages subis par le matériau de comptoir ne sont pas couverts par la garantie Hatco. Pour d'autres surfaces, assurez-vous que le matériau est adapté à des températures pouvant atteindre 93°C (200°F).

Ne modifiez pas le câblage et ne coupez pas le câble capillaire du thermostat du boîtier de contrôle pour augmenter la distance d'installation de la commande à distance. Si vous coupez le câble capillaire du thermostat, cela risque de provoquer une surchauffe et des dommages à l'appareil ainsi qu'au comptoir.

N'exercez pas une force excessive lors du serrage des vis de montage des appareils intégrés. Cela risquerait d'endommager l'appareil et/ou le comptoir.

Ne couchez pas l'unité sur le côté comportant le panneau de commande. L'unité pourrait être endommagée.

Utiliser uniquement des produits nettoyants non abrasifs. Les produits nettoyants abrasifs peuvent rayer la finition de l'appareil, ce qui altère son apparence et le rend plus susceptible d'accumuler la saleté.

Installez le boîtier de contrôle distant hors de la zone chauffée. Si vous placez le boîtier de contrôle dans la zone chauffée, cela pourrait provoquer des surchauffes, des dysfonctionnements ou des défaillances des commandes.

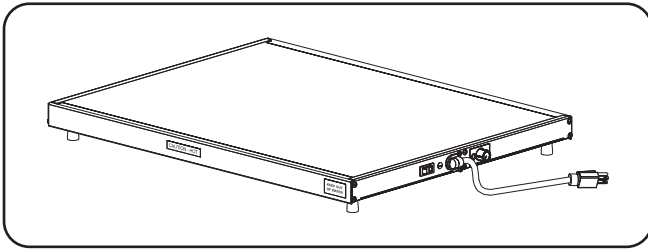
Ne faites pas glisser de casseroles sur les surfaces à revêtement dur, n'utilisez pas de casseroles avec revêtement à fond dur et ne laissez rien tomber sur les surfaces à couche dure. Cela pourrait rayer votre équipement. Les dommages causés sur les surfaces à revêtement dur dus à une mauvaise utilisation ne sont pas couverts par la garantie.

# DESCRIPTION DU MODÈLE

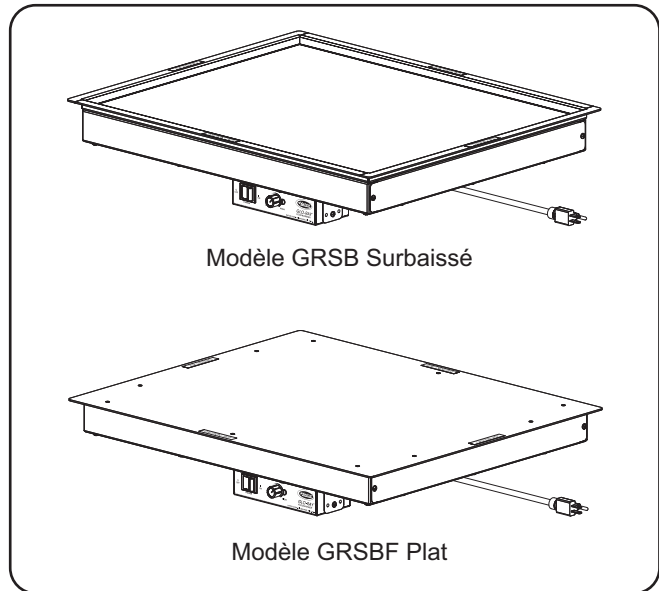
## Modèles GRS

Le rayonnage chauffant GRS est idéal pour les régions de transit, les lignes de buffets ou comme étagère de travail chauffante. Il possède un interrupteur marche-arrêt avec témoin, un thermostat ajustable, et un cordon d'alimentation de 1829 mm (6'). Des éléments chauffants distribuent la chaleur sous l'intégralité de la surface en acier inoxydable ou de la surface en aluminium.

L'ensemble des modèles GRS sont expédiés totalement assemblés et prêts à l'emploi.



Modèles GRS



Modèle GRSB Surbaissé

Modèle GRSBF Plat

Modèles GRSB et GRSBF

## Modèles GRSB et GRSBF

Les rayonnages chauffants GRSB et GRSBF possèdent une surface en aluminium et un élément chauffant intégral pour une distribution uniforme de la chaleur. Idéal pour un passe plat, buffet ou lignes de cafétéria et autres régions self-service. Le modèle GRSB possède une surface surbaissée. Le modèle GRSBF possède une surface plate.

Un conduit flexible de 914 mm (3') contient les fils entre l'appareil et le boîtier de contrôle. Le boîtier de contrôle possède un thermostat ayant une étendue de 27° à 93° C (80° à 200° F), un interrupteur marche-arrêt avec témoin et des attaches de montage. Le boîtier de contrôle peut être installé jusqu'à 914 mm (3') de l'appareil. Un cordon de 1 829 mm (6') avec fiche est attaché au boîtier de commande.

Le rebord de 19 mm (3/4") présent permet d'encastrer l'appareil sur un comptoir. Le rayonnage est facile à nettoyer avec un chiffon doux humide ou un nettoyant non-abrasif. L'ensemble des modèles GRSB et GRSBF sont expédiés totalement assemblés et prêts à l'emploi.

## DÉSIGNATION DU MODÈLE

<b>G R S B F - XX - F</b>	
<p>Glo-Ray</p> <p>Rayonnage Chauffant</p> <p>Intégré</p> <p>Plat</p> <p>Largeur du Modèle (Pouces)</p>	<p>Profondeur Chauffants</p> <p><b>Modèles GRS</b></p> <p>I = 495 mm (19-1/2")</p> <p>A = 152 mm (6")</p> <p>B = 197 mm (7-3/4")</p> <p>C = 248 mm (9-3/4")</p> <p>D = 305 mm (12")</p> <p>E = 349 mm (13-3/4")</p> <p>F = 394 mm (15-1/2")</p> <p>G = 400 mm (15-3/4")</p> <p>H = 445 mm (17-1/2")</p> <p>J = 546 mm (21-1/2")</p> <p>K = 597 mm (23-1/2")</p> <p>L = 648 mm (25-1/2")</p>
	<p><b>Modèles GRSB</b></p> <p>F = 394 mm (15-1/2")</p> <p>I = 495 mm (19-1/2")</p> <p>O = 762 mm (30")</p> <p><b>Modèles GRSBF</b></p> <p>F = 432 mm (17")</p> <p>I = 533 mm (21")</p> <p>S = 648 mm (25-1/2")</p> <p>O = 800 mm (31-1/2")</p>

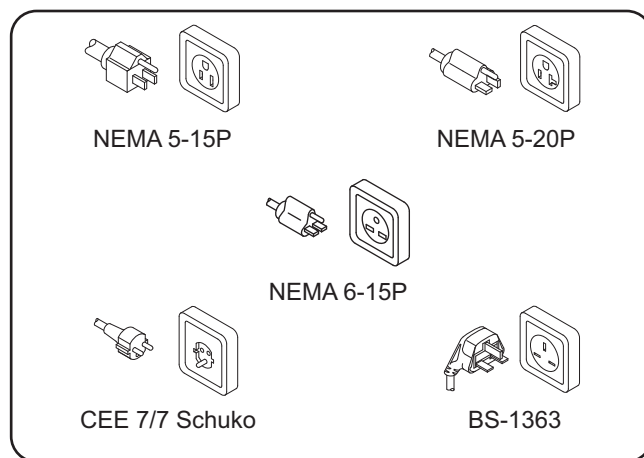
### Configuration des fiches

Un cordon de 1 826 mm (6 pi) et une fiche d'alimentation peuvent être installés en usine, en option, pour certaines unités.

#### ⚠ AVERTISSEMENT

**DANGER DE DÉCHARGE ÉLECTRIQUE:** Brancher l'appareil sur une prise de courant avec terre de tension, de format et de configuration des broches corrects. Si la fiche et la prise ne se correspondent pas, s'adresser à un électricien qualifié pour déterminer et installer une prise de courant de format et de tension corrects.

NOTA: L'étiquette des caractéristiques se situe en bas sur les modèles GRS et en bas du boîtier de contrôle sur les modèles GRSB et GRSBF. Consultez l'étiquette pour connaître le numéro de série et les éléments de vérification de l'appareil électrique.



Configuration des fiches

NOTA: Prise non fournie par Hatco.

### Dimensions — Modèles GRS

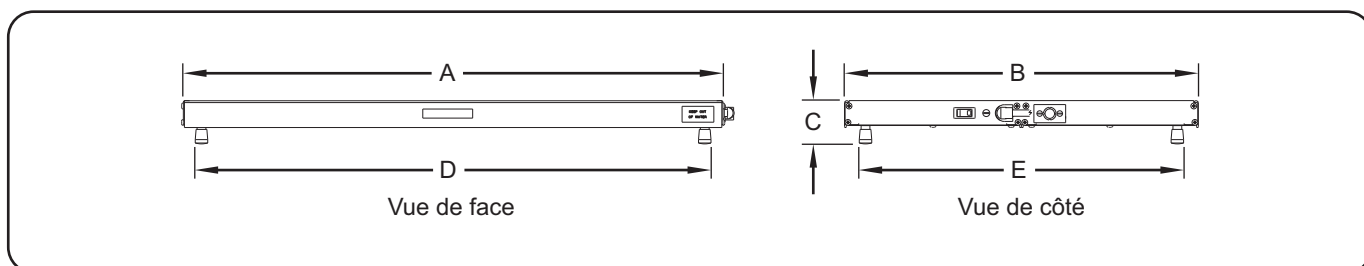
Modèle	Largeur (A)	Profondeur (B)	Hauteur (C)	Empattement Largeur (D)	Empattement Profondeur (E)
GRS-18-I	457 mm (18")	495 mm (19-1/2")	57 mm (2-1/4")†	425 mm (16-3/4")	457 mm (18")
GRS-24-I	610 mm (24")	495 mm (19-1/2")	57 mm (2-1/4")†	578 mm (16-3/4")	457 mm (18")
GRS-30-I	762 mm (30")	495 mm (19-1/2")	57 mm (2-1/4")†	730 mm (16-3/4")	457 mm (18")
GRS-36-I	914 mm (36")	495 mm (19-1/2")	57 mm (2-1/4")†	883 mm (16-3/4")	457 mm (18")
GRS-42-I	1067 mm (42")	495 mm (19-1/2")	133 mm (5-1/4")*	1035 mm (16-3/4")	457 mm (18")
GRS-48-I	1219 mm (48")	495 mm (19-1/2")	133 mm (5-1/4")*	1187 mm (16-3/4")	457 mm (18")
GRS-54-I	1372 mm (54")	495 mm (19-1/2")	133 mm (5-1/4")*	1340 mm (16-3/4")	457 mm (18")
GRS-60-I	1524 mm (60")	495 mm (19-1/2")	133 mm (5-1/4")*	1492 mm (16-3/4")	457 mm (18")
GRS-66-I	1676 mm (66")	495 mm (19-1/2")	133 mm (5-1/4")*	1645 mm (16-3/4")	457 mm (18")
GRS-72-I	1829 mm (72")	495 mm (19-1/2")	133 mm (5-1/4")*	1797 mm (16-3/4")	457 mm (18")

† La hauteur comprend les pieds de 25 mm (1")

\* La hauteur comprend les pieds de 102 mm (4")

NOTA: Tous les modèles mentionnés ci-dessus ont une profondeur standard de 495 mm (19-1/2"). Les autres profondeurs disponibles sont :

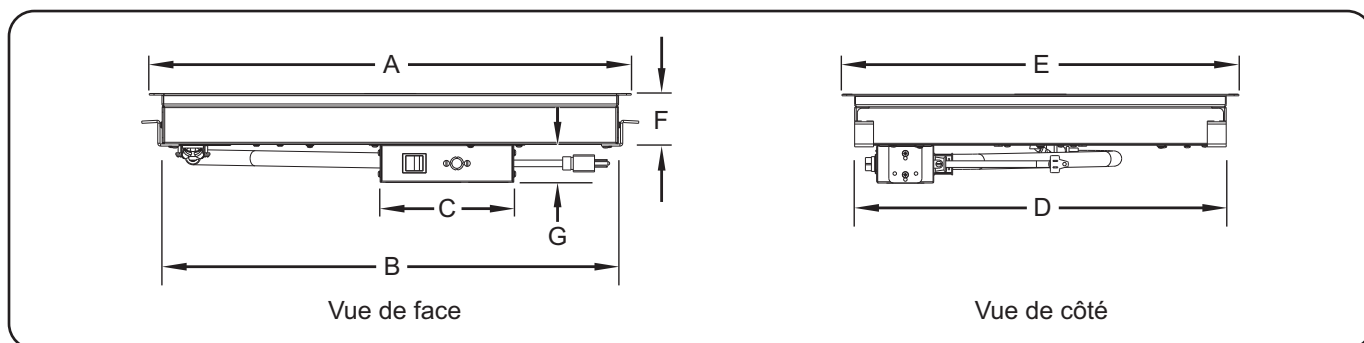
A = 152 mm (6")      B = 197 mm (7-3/4")      C = 248 mm (9-3/4")      D = 305 mm (12")  
 E = 349 mm (13-3/4")      F = 394 mm (15-1/2")      G = 400 mm (15-3/4")      H = 445 mm (17-1/2")  
 J = 546 mm (21-1/2")      K = 597 mm (23-1/2")      L = 648 mm (25-1/2")



Dimensions — Modèles GRS

## Dimensions — Modèles GRSB

Modèle	Largeur Totale (A)	Largeur Chauffée (B)	Largeur du Boîtier de Contrôle (C)	Profondeur Chauffée (D)	Profondeur Totale (E)	Hauteur (F)	Hauteur du Boîtier de Contrôle (G)
GRSB-24-F	648 mm (25-1/2")	610 mm (24")	184 mm (7-1/4")	394 mm (15-1/2")	432 mm (17")	73 mm (2-7/8")	54 mm (2-1/8")
GRSB-24-I	648 mm (25-1/2")	610 mm (24")	184 mm (7-1/4")	495 mm (19-1/2")	533 mm (21")	73 mm (2-7/8")	54 mm (2-1/8")
GRSB-24-O	648 mm (25-1/2")	610 mm (24")	184 mm (7-1/4")	762 mm (30")	800 mm (31-1/2")	73 mm (2-7/8")	54 mm (2-1/8")
GRSB-30-F	800 mm (31-1/2")	762 mm (30")	184 mm (7-1/4")	394 mm (15-1/2")	432 mm (17")	73 mm (2-7/8")	54 mm (2-1/8")
GRSB-30-I	800 mm (31-1/2")	762 mm (30")	184 mm (7-1/4")	495 mm (19-1/2")	533 mm (21")	73 mm (2-7/8")	54 mm (2-1/8")
GRSB-30-O	800 mm (31-1/2")	762 mm (30")	184 mm (7-1/4")	762 mm (30")	800 mm (31-1/2")	73 mm (2-7/8")	54 mm (2-1/8")
GRSB-36-F	953 mm (37-1/2")	914 mm (36")	184 mm (7-1/4")	394 mm (15-1/2")	432 mm (17")	73 mm (2-7/8")	54 mm (2-1/8")
GRSB-36-I	953 mm (37-1/2")	914 mm (36")	184 mm (7-1/4")	495 mm (19-1/2")	533 mm (21")	73 mm (2-7/8")	54 mm (2-1/8")
GRSB-36-O	953 mm (37-1/2")	914 mm (36")	184 mm (7-1/4")	762 mm (30")	800 mm (31-1/2")	73 mm (2-7/8")	54 mm (2-1/8")
GRSB-42-F	1105 mm (43-1/2")	1067 mm (42")	184 mm (7-1/4")	394 mm (15-1/2")	432 mm (17")	73 mm (2-7/8")	54 mm (2-1/8")
GRSB-42-I	1105 mm (43-1/2")	1067 mm (42")	184 mm (7-1/4")	495 mm (19-1/2")	533 mm (21")	73 mm (2-7/8")	54 mm (2-1/8")
GRSB-42-O	1105 mm (43-1/2")	1067 mm (42")	184 mm (7-1/4")	762 mm (30")	800 mm (31-1/2")	73 mm (2-7/8")	54 mm (2-1/8")
GRSB-48-F	1257 mm (49-1/2")	1219 mm (48")	184 mm (7-1/4")	394 mm (15-1/2")	432 mm (17")	73 mm (2-7/8")	54 mm (2-1/8")
GRSB-48-I	1257 mm (49-1/2")	1219 mm (48")	184 mm (7-1/4")	495 mm (19-1/2")	533 mm (21")	73 mm (2-7/8")	54 mm (2-1/8")
GRSB-48-O	1257 mm (49-1/2")	1219 mm (48")	184 mm (7-1/4")	762 mm (30")	800 mm (31-1/2")	73 mm (2-7/8")	54 mm (2-1/8")
GRSB-54-I	1410 mm (55-1/2")	1372 mm (54")	184 mm (7-1/4")	495 mm (19-1/2")	533 mm (21")	73 mm (2-7/8")	54 mm (2-1/8")
GRSB-60-F	1562 mm (61-1/2")	1524 mm (60")	184 mm (7-1/4")	394 mm (15-1/2")	432 mm (17")	73 mm (2-7/8")	54 mm (2-1/8")
GRSB-60-I	1562 mm (61-1/2")	1524 mm (60")	184 mm (7-1/4")	495 mm (19-1/2")	533 mm (21")	73 mm (2-7/8")	54 mm (2-1/8")
GRSB-60-O	1562 mm (61-1/2")	1524 mm (60")	184 mm (7-1/4")	762 mm (30")	800 mm (31-1/2")	73 mm (2-7/8")	54 mm (2-1/8")
GRSB-66-I	1715 mm (67-1/2")	1676 mm (66")	184 mm (7-1/4")	495 mm (19-1/2")	533 mm (21")	73 mm (2-7/8")	54 mm (2-1/8")
GRSB-72-F	1867 mm (73-1/2")	1829 mm (72")	184 mm (7-1/4")	394 mm (15-1/2")	432 mm (17")	73 mm (2-7/8")	54 mm (2-1/8")
GRSB-72-I	1867 mm (73-1/2")	1829 mm (72")	184 mm (7-1/4")	495 mm (19-1/2")	533 mm (21")	73 mm (2-7/8")	54 mm (2-1/8")
GRSB-72-O	1867 mm (73-1/2")	1829 mm (72")	184 mm (7-1/4")	762 mm (30")	800 mm (31-1/2")	73 mm (2-7/8")	54 mm (2-1/8")



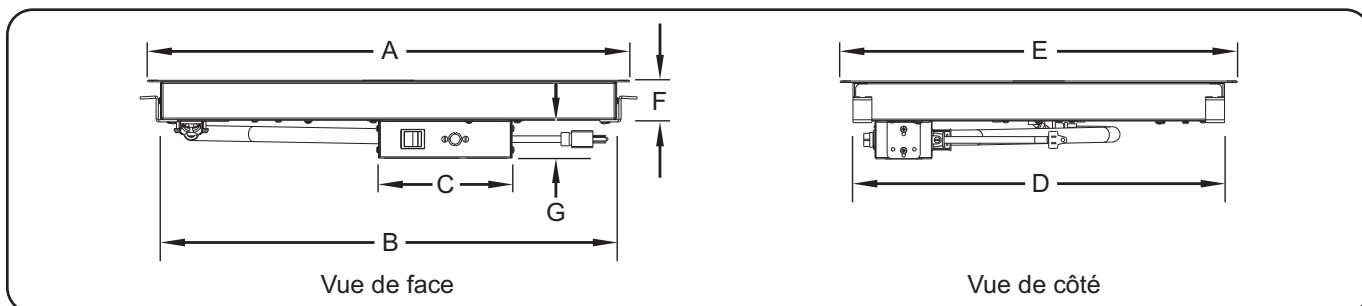
Dimensions — Modèles GRSB

### AVIS

Se référer à la section d'installation de ce manuel pour les véritables dimensions de découpage de plan de travail.

## Dimensions — Modèles GRSBF

Modèle	Largeur Totale (A)	Largeur Chauffée (B)	Largeur du Boîtier de Contrôle (C)	Profondeur Chauffée (D)	Profondeur Totale (E)	Hauteur (F)	Hauteur du Boîtier de Contrôle (G)
GRSBF-18-F	495 mm (19-1/2")	460 mm (18")	184 mm (7-1/4")	394 mm (15-1/2")	432 mm (17")	57 mm (2-1/4")	54 mm (2-1/8")
GRSBF-24-F	648 mm (25-1/2")	610 mm (24")	184 mm (7-1/4")	394 mm (15-1/2")	432 mm (17")	57 mm (2-1/4")	54 mm (2-1/8")
GRSBF-24-I	648 mm (25-1/2")	610 mm (24")	184 mm (7-1/4")	495 mm (19-1/2")	533 mm (21")	57 mm (2-1/4")	54 mm (2-1/8")
GRSBF-24-S	648 mm (25-1/2")	610 mm (24")	184 mm (7-1/4")	460 mm (24")	648 mm (25-1/2")	57 mm (2-1/4")	54 mm (2-1/8")
GRSBF-24-O	648 mm (25-1/2")	610 mm (24")	184 mm (7-1/4")	762 mm (30")	800 mm (31-1/2")	57 mm (2-1/4")	54 mm (2-1/8")
GRSBF-30-F	800 mm (31-1/2")	762 mm (30")	184 mm (7-1/4")	394 mm (15-1/2")	432 mm (17")	57 mm (2-1/4")	54 mm (2-1/8")
GRSBF-30-I	800 mm (31-1/2")	762 mm (30")	184 mm (7-1/4")	495 mm (19-1/2")	533 mm (21")	57 mm (2-1/4")	54 mm (2-1/8")
GRSBF-30-S	800 mm (31-1/2")	762 mm (30")	184 mm (7-1/4")	460 mm (24")	648 mm (25-1/2")	57 mm (2-1/4")	54 mm (2-1/8")
GRSBF-30-O	800 mm (31-1/2")	762 mm (30")	184 mm (7-1/4")	762 mm (30")	800 mm (31-1/2")	57 mm (2-1/4")	54 mm (2-1/8")
GRSBF-36-F	953 mm (37-1/2")	914 mm (36")	184 mm (7-1/4")	394 mm (15-1/2")	432 mm (17")	57 mm (2-1/4")	54 mm (2-1/8")
GRSBF-36-I	953 mm (37-1/2")	914 mm (36")	184 mm (7-1/4")	495 mm (19-1/2")	533 mm (21")	57 mm (2-1/4")	54 mm (2-1/8")
GRSBF-36-S	953 mm (37-1/2")	914 mm (36")	184 mm (7-1/4")	460 mm (24")	648 mm (25-1/2")	57 mm (2-1/4")	54 mm (2-1/8")
GRSBF-36-O	953 mm (37-1/2")	914 mm (36")	184 mm (7-1/4")	762 mm (30")	800 mm (31-1/2")	57 mm (2-1/4")	54 mm (2-1/8")
GRSBF-42-F	1105 mm (43-1/2")	1067 mm (42")	184 mm (7-1/4")	394 mm (15-1/2")	432 mm (17")	57 mm (2-1/4")	54 mm (2-1/8")
GRSBF-42-I	1105 mm (43-1/2")	1067 mm (42")	184 mm (7-1/4")	495 mm (19-1/2")	533 mm (21")	57 mm (2-1/4")	54 mm (2-1/8")
GRSBF-42-S	1105 mm (43-1/2")	1067 mm (42")	184 mm (7-1/4")	460 mm (24")	648 mm (25-1/2")	57 mm (2-1/4")	54 mm (2-1/8")
GRSBF-42-O	1105 mm (43-1/2")	1067 mm (42")	184 mm (7-1/4")	762 mm (30")	800 mm (31-1/2")	57 mm (2-1/4")	54 mm (2-1/8")
GRSBF-48-F	1257 mm (49-1/2")	1219 mm (48")	184 mm (7-1/4")	394 mm (15-1/2")	432 mm (17")	57 mm (2-1/4")	54 mm (2-1/8")
GRSBF-48-I	1257 mm (49-1/2")	1219 mm (48")	184 mm (7-1/4")	495 mm (19-1/2")	533 mm (21")	57 mm (2-1/4")	54 mm (2-1/8")
GRSBF-48-S	1257 mm (49-1/2")	1219 mm (48")	184 mm (7-1/4")	460 mm (24")	648 mm (25-1/2")	57 mm (2-1/4")	54 mm (2-1/8")
GRSBF-48-O	1257 mm (49-1/2")	1219 mm (48")	184 mm (7-1/4")	762 mm (30")	800 mm (31-1/2")	57 mm (2-1/4")	54 mm (2-1/8")
GRSBF-60-F	1562 mm (61-1/2")	1524 mm (60")	184 mm (7-1/4")	394 mm (15-1/2")	432 mm (17")	57 mm (2-1/4")	54 mm (2-1/8")
GRSBF-60-I	1562 mm (61-1/2")	1524 mm (60")	184 mm (7-1/4")	495 mm (19-1/2")	533 mm (21")	57 mm (2-1/4")	54 mm (2-1/8")
GRSBF-60-S	1562 mm (61-1/2")	1524 mm (60")	184 mm (7-1/4")	460 mm (24")	648 mm (25-1/2")	57 mm (2-1/4")	54 mm (2-1/8")
GRSBF-60-O	1562 mm (61-1/2")	1524 mm (60")	184 mm (7-1/4")	762 mm (30")	800 mm (31-1/2")	57 mm (2-1/4")	54 mm (2-1/8")
GRSBF-72-F	1867 mm (73-1/2")	1829 mm (72")	184 mm (7-1/4")	394 mm (15-1/2")	432 mm (17")	57 mm (2-1/4")	54 mm (2-1/8")
GRSBF-72-I	1867 mm (73-1/2")	1829 mm (72")	184 mm (7-1/4")	495 mm (19-1/2")	533 mm (21")	57 mm (2-1/4")	54 mm (2-1/8")
GRSBF-72-S	1867 mm (73-1/2")	1829 mm (72")	184 mm (7-1/4")	460 mm (24")	648 mm (25-1/2")	57 mm (2-1/4")	54 mm (2-1/8")
GRSBF-72-O	1867 mm (73-1/2")	1829 mm (72")	184 mm (7-1/4")	762 mm (30")	800 mm (31-1/2")	57 mm (2-1/4")	54 mm (2-1/8")



Dimensions — Modèles GRSBF

**AVIS**

Se référer à la section d'installation de ce manuel pour les véritables dimensions de découpage de plan de travail.

## Tableau des valeurs nominales électriques — Modèles GRS

Modèle †	Tension	Intensité	Amps	Configuration de Fiches	Poids d'embarquement
GRS-18-I	100	250	2.5	NEMA 5-15P	7 kg (16 lbs.)
	120	250	2.1	NEMA 5-15P	7 kg (16 lbs.)
	220	228	1.0	CEE 7/7 Schuko	7 kg (16 lbs.)
	240	272	1.1	BS-1363	7 kg (16 lbs.)
	220–230 (CE)	228–250	1.0–1.1	CEE 7/7 Schuko	7 kg (16 lbs.)
	230–240 (CE)	250–272	1.0–1.1	BS-1363	7 kg (16 lbs.)
GRS-24-I	100	350	3.5	NEMA 5-15P	9 kg (20 lbs.)
	120	350	2.9	NEMA 5-15P	9 kg (20 lbs.)
	220	320	1.5	CEE 7/7 Schuko	9 kg (20 lbs.)
	240	380	1.6	BS-1363	9 kg (20 lbs.)
	220–230 (CE)	320–350	1.5–1.6	CEE 7/7 Schuko	9 kg (20 lbs.)
	230–240 (CE)	350–380	1.5–1.6	BS-1363	9 kg (20 lbs.)
GRS-30-I	100	450	4.5	NEMA 5-15P	11 kg (25 lbs.)
	120	450	3.8	NEMA 5-15P	11 kg (25 lbs.)
	220	412	1.9	CEE 7/7 Schuko	11 kg (25 lbs.)
	240	490	2.0	BS-1363	11 kg (25 lbs.)
	220–230 (CE)	412–450	1.9–2.0	CEE 7/7 Schuko	11 kg (25 lbs.)
	230–240 (CE)	450–490	1.9–2.0	BS-1363	11 kg (25 lbs.)
GRS-36-I	100	550	5.5	NEMA 5-15P	13 kg (28 lbs.)
	120	550	4.6	NEMA 5-15P	13 kg (28 lbs.)
	220	504	2.3	CEE 7/7 Schuko	13 kg (28 lbs.)
	240	598	2.5	BS-1363	13 kg (28 lbs.)
	220–230 (CE)	504–550	2.3–2.4	CEE 7/7 Schuko	13 kg (28 lbs.)
	230–240 (CE)	550–598	2.4–2.5	BS-1363	13 kg (28 lbs.)
GRS-42-I	100	600	6.0	NEMA 5-15P	15 kg (32 lbs.)
	120	600	5.0	NEMA 5-15P	15 kg (32 lbs.)
	220	548	2.5	CEE 7/7 Schuko	15 kg (32 lbs.)
	240	652	2.7	BS-1363	15 kg (32 lbs.)
	220–230 (CE)	548–600	2.5–2.6	CEE 7/7 Schuko	15 kg (32 lbs.)
	230–240 (CE)	600–652	2.6–2.7	BS-1363	15 kg (32 lbs.)

Les zones ombrées contiennent des informations électriques pour **les modèles internationaux uniquement**.

† Tous les modèles GRS mentionnés ont une profondeur chauffée standard de 495 mm (19-1/2"). D'autres profondeurs sont disponibles.

*suite...*



Tableau des valeurs nominales électriques — Modèles GRS

Modèle †	Tension	Intensité	Amps	Configuration de Fiches	Poids d'embarquement
GRS-48-I	100	700	7.0	NEMA 5-15P	16 kg (36 lbs.)
	120	700	5.8	NEMA 5-15P	16 kg (36 lbs.)
	220	640	3.0	CEE 7/7 Schuko	16 kg (36 lbs.)
	240	760	3.2	BS-1363	16 kg (36 lbs.)
	220–230 (CE)	640–700	3.0–3.1	CEE 7/7 Schuko	16 kg (36 lbs.)
	230–240 (CE)	700–760	3.0–3.2	BS-1363	16 kg (36 lbs.)
GRS-54-I	100	800	8.0	NEMA 5-15P	19 kg (42 lbs.)
	120	800	6.7	NEMA 5-15P	19 kg (42 lbs.)
	220	732	3.3	CEE 7/7 Schuko	19 kg (42 lbs.)
	240	870	3.6	BS-1363	19 kg (42 lbs.)
	220–230 (CE)	732–800	3.3–3.5	CEE 7/7 Schuko	19 kg (42 lbs.)
	230–240 (CE)	800–870	3.5–3.6	BS-1363	19 kg (42 lbs.)
GRS-60-I	100	900	9.0	NEMA 5-15P	20 kg (44 lbs.)
	120	900	7.5	NEMA 5-15P	20 kg (44 lbs.)
	220	824	3.7	CEE 7/7 Schuko	20 kg (44 lbs.)
	240	980	4.1	BS-1363	20 kg (44 lbs.)
	220–230 (CE)	824–900	3.7–3.9	CEE 7/7 Schuko	20 kg (44 lbs.)
	230–240 (CE)	900–980	3.9–4.1	BS-1363	20 kg (44 lbs.)
GRS-66-I	100	1000	10.0	NEMA 5-15P	23 kg (50 lbs.)
	120	1000	8.3	NEMA 5-15P	23 kg (50 lbs.)
	220	916	4.2	CEE 7/7 Schuko	23 kg (50 lbs.)
	240	1088	4.5	BS-1363	23 kg (50 lbs.)
	220–230 (CE)	916–1000	4.2–4.3	CEE 7/7 Schuko	23 kg (50 lbs.)
	230–240 (CE)	1000–1088	4.3–4.5	BS-1363	23 kg (50 lbs.)
GRS-72-I	100	1100	11.0	NEMA 5-15P	25 kg (56 lbs.)
	120	1100	9.2	NEMA 5-15P	25 kg (56 lbs.)
	220	1008	4.6	CEE 7/7 Schuko	25 kg (56 lbs.)
	240	1196	5.0	BS-1363	25 kg (56 lbs.)
	220–230 (CE)	1008–1100	4.6–4.8	CEE 7/7 Schuko	25 kg (56 lbs.)
	230–240 (CE)	1100–1196	4.8–5.0	BS-1363	25 kg (56 lbs.)

Les zones ombrées contiennent des informations électriques pour **les modèles internationaux uniquement**.

† Tous les modèles GRS mentionnés ont une profondeur chauffée standard de 495 mm (19-1/2"). D'autres profondeurs sont disponibles.

## Tableau des valeurs nominales électriques — Modèles GRSB

Modèle	Tension	Intensité	Amps	Configuration de Fiches	Poids d'embarquement
GRSB-24-F	120	420	3.5	NEMA 5-15P	9 kg (20 lbs.)
	220	384	1.7	CEE 7/7 Schuko	9 kg (20 lbs.)
	240	458	1.9	BS-1363	9 kg (20 lbs.)
GRSB-24-I	100	550	5.5	NEMA 5-15P	10 kg (22 lbs.)
	120	550	4.6	NEMA 5-15P	10 kg (22 lbs.)
	220	550	2.5	CEE 7/7 Schuko	10 kg (22 lbs.)
	240	550	2.3	BS-1363	10 kg (22 lbs.)
	220-230 (CE)	550-601	2.5-2.6	CEE 7/7 Schuko	10 kg (22 lbs.)
	230-240 (CE)	505-550	2.2-2.3	BS-1363	10 kg (22 lbs.)
GRSB-24-O	120	790	6.6	NEMA 5-15P	12 kg (26 lbs.)
	220	722	3.3	CEE 7/7 Schuko	12 kg (26 lbs.)
	240	860	3.4	BS-1363	12 kg (26 lbs.)
GRSB-30-F	120	505	4.2	NEMA 5-15P	10 kg (23 lbs.)
	220	462	2.1	CEE 7/7 Schuko	10 kg (23 lbs.)
	240	550	2.3	BS-1363	10 kg (23 lbs.)
GRSB-30-I	100	665	6.7	NEMA 5-15P	11 kg (25 lbs.)
	120	665	5.6	NEMA 5-15P	11 kg (25 lbs.)
	220	665	3.0	CEE 7/7 Schuko	11 kg (25 lbs.)
	240	665	2.8	BS-1363	11 kg (25 lbs.)
	220-230 (CE)	665-727	3.0-3.2	CEE 7/7 Schuko	11 kg (25 lbs.)
	230-240 (CE)	661-665	2.7-2.8	BS-1363	11 kg (25 lbs.)
GRSB-30-O	120	950	7.9	NEMA 5-15P	13 kg (28 lbs.)
	220	916	4.2	CEE 7/7 Schuko	13 kg (28 lbs.)
	240	985	4.1	BS-1363	13 kg (28 lbs.)
GRSB-36-F	120	590	4.9	NEMA 5-15P	12 kg (26 lbs.)
	220	540	2.5	CEE 7/7 Schuko	12 kg (26 lbs.)
	240	642	2.7	BS-1363	12 kg (26 lbs.)
GRSB-36-I	100	780	7.8	NEMA 5-15P	13 kg (29 lbs.)
	120	780	6.5	NEMA 5-15P	13 kg (29 lbs.)
	220	780	3.5	CEE 7/7 Schuko	13 kg (29 lbs.)
	240	780	3.3	BS-1363	13 kg (29 lbs.)
	220-230 (CE)	780-853	3.5-3.7	CEE 7/7 Schuko	13 kg (29 lbs.)
	230-240 (CE)	716-780	3.1-3.3	BS-1363	13 kg (29 lbs.)
GRSB-36-O	120	1110	9.3	NEMA 5-15P	15 kg (32 lbs.)
	220	1110	5.0	CEE 7/7 Schuko	15 kg (32 lbs.)
	240	1110	4.6	BS-1363	15 kg (32 lbs.)
GRSB-42-F	120	685	5.7	NEMA 5-15P	13 kg (29 lbs.)
	220	627	2.9	CEE 7/7 Schuko	13 kg (29 lbs.)
	240	746	3.1	BS-1363	13 kg (29 lbs.)
GRSB-42-I	100	885	8.9	NEMA 5-15P	15 kg (32 lbs.)
	120	885	7.4	NEMA 5-15P	15 kg (32 lbs.)
	220	885	4.0	CEE 7/7 Schuko	15 kg (32 lbs.)
	240	885	3.7	BS-1363	15 kg (32 lbs.)
	220-230 (CE)	885-967	4.0-4.2	CEE 7/7 Schuko	15 kg (32 lbs.)
	230-240 (CE)	813-885	3.5-3.7	BS-1363	15 kg (32 lbs.)
GRSB-42-O	120	1270	10.6	NEMA 5-15P	16 kg (35 lbs.)
	220	1236	5.6	CEE 7/7 Schuko	16 kg (35 lbs.)
	240	1305	5.4	BS-1363	16 kg (35 lbs.)

Les zones ombrées contiennent des informations électriques pour **les modèles internationaux uniquement**.

*suite...*

Tableau des valeurs nominales électriques — Modèles GRSB

Modèle	Tension	Intensité	Amps	Configuration de Fiches	Poids d'embarquement
GRSB-48-F	120	770	6.4	NEMA 5-15P	15 kg (33 lbs.)
	220	705	3.2	CEE 7/7 Schuko	15 kg (33 lbs.)
	240	828	3.5	BS-1363	15 kg (33 lbs.)
GRSB-48-I	100	1000	10.0	NEMA 5-15P	16 kg (36 lbs.)
	120	1000	8.3	NEMA 5-15P	16 kg (36 lbs.)
	220	1000	4.5	CEE 7/7 Schuko	16 kg (36 lbs.)
	240	1000	4.2	BS-1363	16 kg (36 lbs.)
	220–230 (CE)	1000–1093	4.5–4.7	CEE 7/7 Schuko	16 kg (36 lbs.)
	230–240 (CE)	918–1000	4.0–4.2	BS-1363	16 kg (36 lbs.)
GRSB-48-O	120	1430	11.9	NEMA 5-15P	18 kg (39 lbs.)
	220	1430	6.5	CEE 7/7 Schuko	18 kg (39 lbs.)
	240	1430	6.0	BS-1363	18 kg (39 lbs.)
GRSB-54-I	100	1110	11.1	NEMA 5-15P	20 kg (43 lbs.)
	120	1110	9.3	NEMA 5-15P	20 kg (43 lbs.)
	220	1110	5.0	CEE 7/7 Schuko	20 kg (43 lbs.)
	240	1110	4.6	BS-1363	20 kg (43 lbs.)
	220–230 (CE)	1110–1213	5.0–5.3	CEE 7/7 Schuko	20 kg (43 lbs.)
	230–240 (CE)	1019–1110	4.4–4.6	BS-1363	20 kg (43 lbs.)
GRSB-60-F	120	950	7.9	NEMA 5-15P	20 kg (45 lbs.)
	220	870	4.0	CEE 7/7 Schuko	20 kg (45 lbs.)
	240	1034	4.3	BS-1363	20 kg (45 lbs.)
GRSB-60-I	100	1220	12.2	NEMA 5-15P	23 kg (50 lbs.)
	120	1220	10.2	NEMA 5-15P	23 kg (50 lbs.)
	220	1220	5.5	CEE 7/7 Schuko	23 kg (50 lbs.)
	240	1220	5.1	BS-1363	23 kg (50 lbs.)
	220–230 (CE)	1220–1333	5.5–5.8	CEE 7/7 Schuko	23 kg (50 lbs.)
	230–240 (CE)	1120–1220	4.9–5.1	BS-1363	23 kg (50 lbs.)
GRSB-60-O	120	1750	14.6	NEMA 5-15P	24 kg (54 lbs.)
	220	1750	8.0	CEE 7/7 Schuko	24 kg (54 lbs.)
	240	1750	7.3	BS-1363	24 kg (54 lbs.)
GRSB-66-I	120	1330	11.1	NEMA 5-15P	25 kg (54 lbs.)
	220	1330	6.0	CEE 7/7 Schuko	25 kg (54 lbs.)
	240	1330	5.5	BS-1363	25 kg (54 lbs.)
	220–230 (CE)	1330–1454	6.0–6.3	CEE 7/7 Schuko	25 kg (54 lbs.)
	230–240 (CE)	1221–1330	5.3–5.5	BS-1363	25 kg (54 lbs.)
GRSB-72-F	120	1130	9.4	NEMA 5-15P	24 kg (52 lbs.)
	220	1034	4.7	CEE 7/7 Schuko	24 kg (52 lbs.)
	240	1230	5.1	BS-1363	24 kg (52 lbs.)
GRSB-72-I	120	1440	12.0	NEMA 5-15P	26 kg (58 lbs.)
	220	1440	6.5	CEE 7/7 Schuko	26 kg (58 lbs.)
	240	1440	6.0	BS-1363	26 kg (58 lbs.)
	220–230 (CE)	1440–1574	6.5–6.8	CEE 7/7 Schuko	26 kg (58 lbs.)
	230–240 (CE)	1322–1440	5.8–6.0	BS-1363	26 kg (58 lbs.)
GRSB-72-O	208	2070	10.0	NEMA 6-15P	29 kg (64 lbs.)
	240	2070	8.6	NEMA 6-15P	29 kg (64 lbs.)
	220	2070	9.4	CEE 7/7 Schuko	29 kg (64 lbs.)
	240	2070	8.6	BS-1363	29 kg (64 lbs.)

Les zones ombrées contiennent des informations électriques pour **les modèles internationaux uniquement**.

## Tableau des valeurs nominales électriques — Modèles GRSBF

Modèle	Tension	Intensité	Amps	Configuration de Fiches	Poids d'embarquement
GRSBF-18-F	120	330	2.8	NEMA 5-15P	7 kg (15 lbs.)
GRSBF-24-F	120	420	3.5	NEMA 5-15P	9 kg (20 lbs.)
GRSBF-24-I	100	550	5.5	NEMA 5-15P	10 kg (22 lbs.)
	120	550	4.6	NEMA 5-15P	10 kg (22 lbs.)
GRSBF-24-S	120	700	5.8	NEMA 5-15P	11 kg (24 lbs.)
	220	640	2.9	CEE 7/7 Schuko	11 kg (24 lbs.)
	240	762	3.2	BS-1363	11 kg (24 lbs.)
GRSBF-24-O	120	790	6.6	NEMA 5-15P	12 kg (26 lbs.)
GRSBF-30-F	120	505	4.2	NEMA 5-15P	10 kg (23 lbs.)
GRSBF-30-I	100	665	6.7	NEMA 5-15P	11 kg (25 lbs.)
	120	665	5.5	NEMA 5-15P	11 kg (25 lbs.)
GRSBF-30-S	120	825	6.9	NEMA 5-15P	12 kg (26 lbs.)
	220	755	3.4	CEE 7/7 Schuko	12 kg (26 lbs.)
	240	898	3.7	BS-1363	12 kg (26 lbs.)
GRSBF-30-O	120	950	7.9	NEMA 5-15P	13 kg (28 lbs.)
GRSBF-36-F	120	590	4.9	NEMA 5-15P	12 kg (26 lbs.)
GRSBF-36-I	100	780	7.8	NEMA 5-15P	13 kg (26 lbs.)
	120	780	6.5	NEMA 5-15P	13 kg (26 lbs.)
GRSBF-36-S	120	950	7.9	NEMA 5-15P	15 kg (31 lbs.)
	220	870	4.0	CEE 7/7 Schuko	15 kg (31 lbs.)
	240	1034	4.3	BS-1363	15 kg (31 lbs.)
GRSBF-36-O	120	1110	9.3	NEMA 5-15P	15 kg (32 lbs.)
	240	1110	4.6	NEMA 6-15P	15 kg (32 lbs.)
	220–230 (CE)	1110–1213	5.0–5.3	CEE 7/7 Schuko	15 kg (32 lbs.)
	230–240 (CE)	1020–1110	4.4–4.6	BS-1363	15 kg (32 lbs.)
GRSBF-42-F	120	685	5.7	NEMA 5-15P	13 kg (29 lbs.)
GRSBF-42-I	100	885	8.9	NEMA 5-15P	15 kg (32 lbs.)
	120	885	7.4	NEMA 5-15P	15 kg (32 lbs.)
GRSBF-42-S	120	1100	9.2	NEMA 5-15P	15 kg (34 lbs.)
	220	1006	4.6	CEE 7/7 Schuko	15 kg (34 lbs.)
	240	1198	5.0	BS-1363	15 kg (34 lbs.)
GRSBF-42-O	120	1270	10.6	NEMA 5-15P	16 kg (35 lbs.)
GRSBF-48-F	120	770	6.4	NEMA 5-15P	15 kg (33 lbs.)
GRSBF-48-I	100	1000	10.0	NEMA 5-15P	16 kg (36 lbs.)
	120	1000	8.3	NEMA 5-15P	16 kg (36 lbs.)
GRSBF-48-S	120	1225	10.2	NEMA 5-15P	17 kg (38 lbs.)
	220	1121	5.1	CEE 7/7 Schuko	17 kg (38 lbs.)
	240	1334	5.6	BS-1363	17 kg (38 lbs.)
GRSBF-48-O	120	1430	11.9	NEMA 5-15P	18 kg (39 lbs.)
	240	1430	6.0	NEMA 6-15P	18 kg (39 lbs.)
	220–230 (CE)	1430–1562	6.5–6.8	CEE 7/7 Schuko	18 kg (39 lbs.)
	230–240 (CE)	1313–1430	5.7–6.0	BS-1363	18 kg (39 lbs.)

Les zones ombrées contiennent des informations électriques pour **les modèles internationaux uniquement**.

*suite...*

## Tableau des valeurs nominales électriques — Modèles GRSBF

Modèle	Tension	Intensité	Amps	Configuration de Fiches	Poids d'embarquement
GRSBF-60-F	120	950	7.9	NEMA 5-15P	20 kg (45 lbs.)
GRSBF-60-I	100	1220	12.2	NEMA 5-15P	23 kg (50 lbs.)
	120	1220	10.2	NEMA 5-15P	23 kg (50 lbs.)
GRSBF-60-S	120	1500	12.5	NEMA 5-20P	24 kg (53 lbs.)
	220	1372	6.2	CEE 7/7 Schuko	24 kg (53 lbs.)
	240	1634	6.8	BS-1363	24 kg (53 lbs.)
GRSBF-60-O	120	1750	14.6	NEMA 5-20P	25 kg (54 lbs.)
	240	1750	7.3	NEMA 6-15P	25 kg (54 lbs.)
	220-230 (CE)	1750-1912	8.0-8.3	CEE 7/7 Schuko	25 kg (54 lbs.)
	230-240 (CE)	1607-1750	7.0-7.3	BS-1363	25 kg (54 lbs.)
GRSBF-72-F	120	1130	9.4	NEMA 5-15P	24 kg (52 lbs.)
GRSBF-72-I	100	1440	14.4	NEMA 5-15P	26 kg (58 lbs.)
	120	1440	12.0	NEMA 5-15P	26 kg (58 lbs.)
GRSBF-72-S	120	1750	14.6	NEMA 5-20P	28 kg (62 lbs.)
	220	1602	7.3	CEE 7/7 Schuko	28 kg (62 lbs.)
	240	1906	7.9	BS-1363	28 kg (62 lbs.)
GRSBF-72-O	208	2070	10.0	NEMA 6-15P	29 kg (64 lbs.)
	240	2070	8.6	NEMA 6-15P	29 kg (64 lbs.)
	220-230 (CE)	2070-2262	9.4-9.8	CEE 7/7 Schuko	29 kg (64 lbs.)
	230-240 (CE)	1901-2070	8.3-8.6	BS-1363	29 kg (64 lbs.)

Les zones ombrées contiennent des informations électriques pour les modèles internationaux uniquement.

## INSTALLATION

## Généralités

Utilisez les procédures suivantes pour installer les appareils GRS, GRSB et GRSBF.

**AVERTISSEMENT**

**DANGER D'INCENDIE:** Placez l'unité à au moins 25 mm (1 po) des murs combustibles et des produits. Si les distances de sécurité ne sont pas respectées, une décoloration ou combustion peut avoir lieu.

**ATTENTION**

Placez l'unité à une hauteur adaptée au comptoir, à un emplacement pratique à utiliser. L'emplacement doit être plan pour éviter que l'unité ou son contenu ne tombe accidentellement, et suffisamment solide pour supporter le poids de l'unité et de son contenu.

Ne faites pas fonctionner les modèles intégrés si le boîtier de contrôle n'est pas installé conformément aux instructions d'installation.

Ne faites pas fonctionner l'appareil sans avoir installé les pieds fournis.

La National Sanitation Foundation (NSF) exige que les appareils mesurant plus de 914 mm (36 po) de largeur et pesant plus de 36 kg (80 lbs.) soient hermétiquement fixés ou rehaussés sur la surface d'installation. Si l'unité ne peut pas être fixée à l'endroit d'utilisation, des pieds de 102 mm (4 po) sont fournis pour permettre le nettoyage du dessous de l'unité.

## Modèles GRS

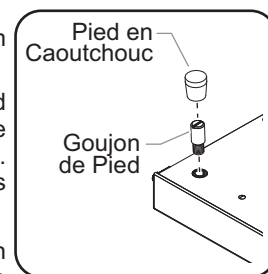
1. Enlever l'appareil du carton et le poser à l'envers sur celui-ci.

*NOTA :* Pour éviter des retards dans l'obtention de la couverture de la garantie, complétez l'enregistrement en ligne de votre garantie. Lisez la section INFORMATIONS IMPORTANTES POUR LE PROPRIÉTAIRE pour plus de détails.

2. Installez les pieds de 25 mm (1") de l'appareil.

a. Vissez un goujon de pied dans les orifices de chaque coin en bas de l'appareil. Serrez fermement mais pas de manière excessive.

b. Faites glisser un pied en caoutchouc sur chaque goujon de pied.



*NOTA:* Si des pieds de 102 mm (4") sont nécessaires, consultez la section OPTIONS ET ACCESSOIRES de ce manuel pour connaître les instructions d'installation.

3. Redresser l'appareil et le placer à l'endroit désiré.

- Placez l'appareil dans une zone où la température ambiante est toujours de 21°C (70°F) minimum. Évitez les zones situées dans les courants d'air (par exemple à proximité d'une porte extérieure, des ventilateurs d'échappement/hottes, des conduites de climatisation, etc.).

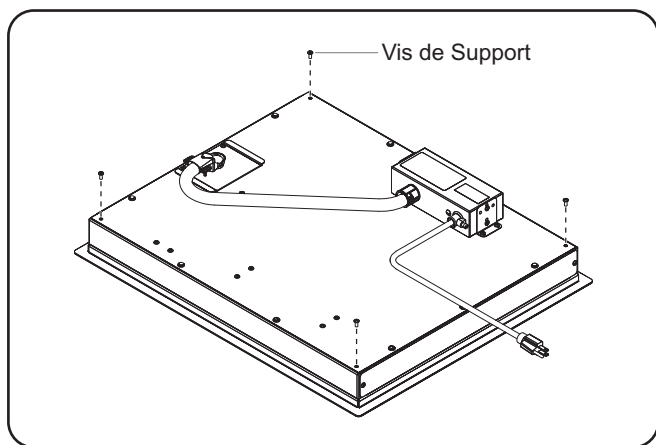
... Suite

- Assurez-vous que l'appareil est à une hauteur appropriée par rapport au comptoir dans une zone adaptée à son utilisation.
- Assurez-vous que le comptoir est de niveau et qu'il est suffisamment solide pour supporter le poids de l'appareil et des aliments.
- Assurez-vous que tous les pieds de l'appareil sont correctement positionnés sur le comptoir.

## Modèles GRSB et GRSBF

1. Enlever l'appareil du carton et le poser à l'envers sur celui-ci.

NOTA: Pour éviter un retard de service sous garantie, enregistrez la garantie en ligne. Pour des détails, voir la section INFORMATIONS IMPORTANTES POUR LE PROPRIÉTAIRE.



Dessous des modèles GRSB

2. Retirez les vis de support du dessous de l'appareil et mettez-les de côté.

NOTA: Le boîtier de contrôle peut être placé à un endroit plus adapté sous l'appareil. Pour une installation partiellement distante, laissez le boîtier de contrôle en place jusqu'à ce que l'appareil soit placé dans le comptoir.

### AVIS

L'appareil est conçu et recommandé pour une utilisation sur ou dans des comptoirs métalliques. Les dommages subis par le matériau de comptoir ne sont pas couverts par la garantie Hatco. Pour d'autres surfaces, assurez-vous que le matériau est adapté à des températures pouvant atteindre 93°C (200°F).

3. Préparez la découpe du comptoir. Consultez le tableau « Découpe du plateau » des pages suivantes pour connaître les dimensions de découpe du comptoir recommandées.
4. Appliquez un cordon d'agent d'étanchéité approuvé par la NSF (National Sanitation Foundation) entre le matériau du comptoir et le rebord de fixation. L'agent d'étanchéité doit être homologué pour une utilisation à une température minimum de 121°C (250°F).
5. Placez l'appareil dans la découpe.
6. Fixez les attaches Z sous l'appareil à l'aide des quatre vis de support précédemment démontées dans cette procédure.

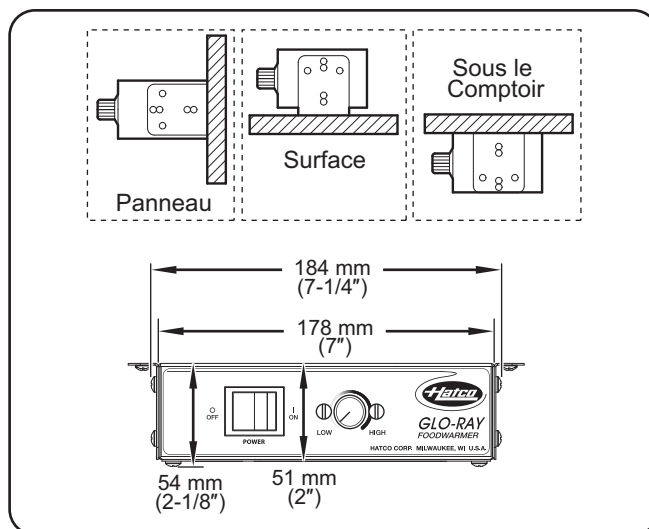
NOTA: Les appareils de 1219 mm (48") ou plus longs nécessitent l'emploi d'attaches Z supplémentaires à mi-chemin des extrémités avant et arrière de l'appareil.

7. Réglez les vis de montage sur les attaches Z pour que le rebord supérieur se pose à plat sur le comptoir.

### AVIS

N'exercez pas une force excessive lors du serrage des vis de montage des appareils intégrés. Cela risquerait d'endommager l'appareil et/ou le comptoir.

8. Retirez l'excédent d'agent d'étanchéité.
9. En fonction des besoins, le boîtier de contrôle peut être installé en position semi-distante.
  - a. Retirez le boîtier de contrôle du dessous de l'appareil.
  - b. Si cela est nécessaire, retirez les supports d'extrémité du boîtier de contrôle, faites tourner/repositionnez et refixez le boîtier de contrôle.
  - c. Le boîtier de contrôle peut être installé sur le panneau, sous le comptoir ou encastré.



Options de montage du boîtier de contrôle

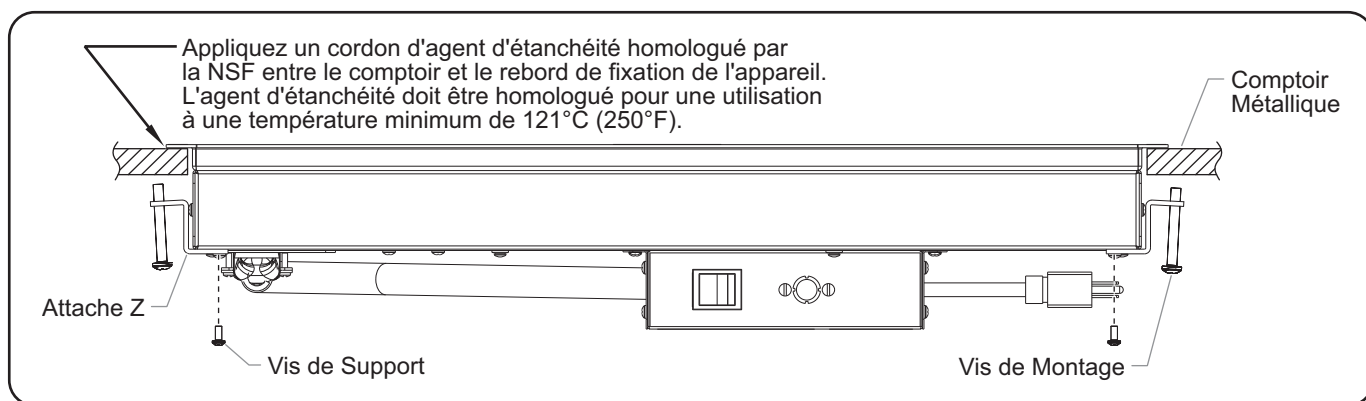
- d. La distance d'installation du boîtier de contrôle est limitée par la gaine de câbles qui mesure 914 mm (36"). Ne tirez pas sur la gaine de câbles pour essayer d'augmenter la distance d'installation. La gaine de câbles doit présenter un peu de jeu après l'installation du boîtier de contrôle.

### AVIS

Ne modifiez pas le câblage et ne coupez pas le câble capillaire du thermostat du boîtier de contrôle pour augmenter la distance d'installation de la commande à distance. Si vous coupez le câble capillaire du thermostat, cela risque de provoquer une surchauffe et des dommages à l'appareil ainsi qu'au comptoir.

10. Une fois tous les éléments fixés, consultez la section Fonctionnement.

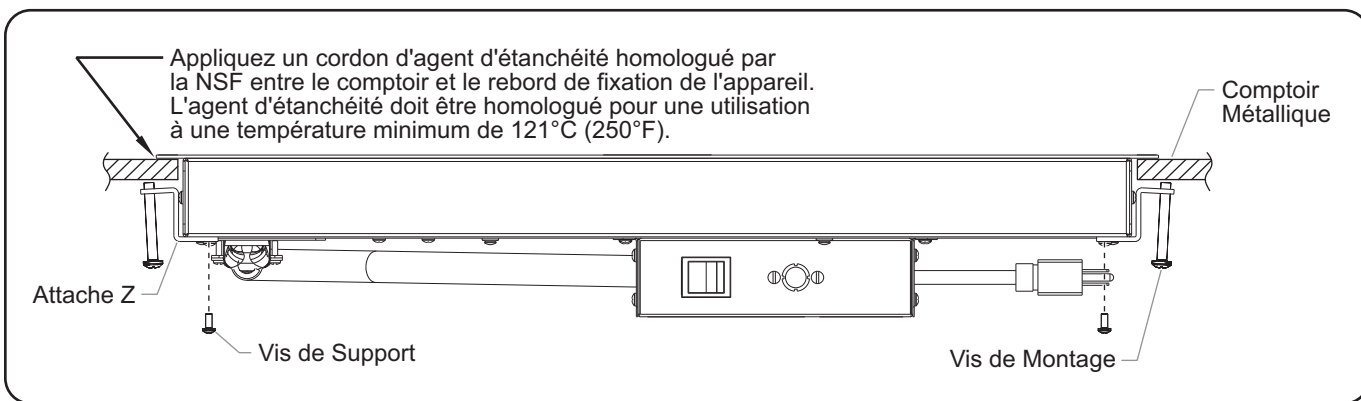
NOTA: Un cordon de 1829 mm (6') est fourni avec l'appareil; tout excès de câble doit être acheminé proprement de sorte à ce qu'il ne pende pas.



Modèle GRSB — Installation

### Découpe Du Plateau Voir — Modèles GRSB

Modèle	Largeur	Profondeur
GRSB-24-F	622 mm (24-1/2") – 629 mm (24-3/4")	406 mm (16") – 413 mm (16-1/4")
GRSB-24-I	622 mm (24-1/2") – 629 mm (24-3/4")	508 mm (20") – 413 mm (20-1/4")
GRSB-24-O	622 mm (24-1/2") – 629 mm (24-3/4")	775 mm (30-1/2") – 781 mm (30-3/4")
GRSB-30-F	775 mm (30-1/2") – 781 mm (30-3/4")	406 mm (16") – 413 mm (16-1/4")
GRSB-30-I	775 mm (30-1/2") – 781 mm (30-3/4")	508 mm (20") – 413 mm (20-1/4")
GRSB-30-O	775 mm (30-1/2") – 781 mm (30-3/4")	775 mm (30-1/2") – 781 mm (30-3/4")
GRSB-36-F	927 mm (36-1/2") – 934 mm (36-3/4")	406 mm (16") – 413 mm (16-1/4")
GRSB-36-I	927 mm (36-1/2") – 934 mm (36-3/4")	508 mm (20") – 413 mm (20-1/4")
GRSB-36-O	927 mm (36-1/2") – 934 mm (36-3/4")	775 mm (30-1/2") – 781 mm (30-3/4")
GRSB-42-F	1080 mm (42-1/2") – 1086 mm (42-3/4")	406 mm (16") – 413 mm (16-1/4")
GRSB-42-I	1080 mm (42-1/2") – 1086 mm (42-3/4")	508 mm (20") – 413 mm (20-1/4")
GRSB-42-O	1080 mm (42-1/2") – 1086 mm (42-3/4")	775 mm (30-1/2") – 781 mm (30-3/4")
GRSB-48-F	1232 mm (48-1/2") – 1238 mm (48-3/4")	406 mm (16") – 413 mm (16-1/4")
GRSB-48-I	1232 mm (48-1/2") – 1238 mm (48-3/4")	508 mm (20") – 413 mm (20-1/4")
GRSB-48-O	1232 mm (48-1/2") – 1238 mm (48-3/4")	775 mm (30-1/2") – 781 mm (30-3/4")
GRSB-54-I	1384 mm (54-1/2") – 1391 mm (54-3/4")	508 mm (20") – 413 mm (20-1/4")
GRSB-60-F	1537 mm (60-1/2") – 1543 mm (60-3/4")	406 mm (16") – 413 mm (16-1/4")
GRSB-60-I	1537 mm (60-1/2") – 1543 mm (60-3/4")	508 mm (20") – 413 mm (20-1/4")
GRSB-60-O	1537 mm (60-1/2") – 1543 mm (60-3/4")	775 mm (30-1/2") – 781 mm (30-3/4")
GRSB-66-I	1689 mm (66-1/2") – 1696 mm (66-3/4")	508 mm (20") – 413 mm (20-1/4")
GRSB-72-F	1842 mm (72-1/2") – 1848 mm (72-3/4")	406 mm (16") – 413 mm (16-1/4")
GRSB-72-I	1842 mm (72-1/2") – 1848 mm (72-3/4")	508 mm (20") – 413 mm (20-1/4")
GRSB-72-O	1842 mm (72-1/2") – 1848 mm (72-3/4")	775 mm (30-1/2") – 781 mm (30-3/4")



Modèle GRSBF — Installation

## Découpe Du Plateau Voir — Modèles GRSBF

Modèle	Largeur	Profondeur
GRSBF-18-F	470 mm (18-1/2") – 476 mm (18-3/4")	406 mm (16") – 413 mm (16-1/4")
GRSBF-24-F	622 mm (24-1/2") – 629 mm (24-3/4")	406 mm (16") – 413 mm (16-1/4")
GRSBF-24-I	622 mm (24-1/2") – 629 mm (24-3/4")	508 mm (20") – 514 mm (20-1/4")
GRSBF-24-S	622 mm (24-1/2") – 629 mm (24-3/4")	622 mm (24-1/2") – 629 mm (24-3/4")
GRSBF-24-O	622 mm (24-1/2") – 629 mm (24-3/4")	775 mm (30-1/2") – 781 mm (30-3/4")
GRSBF-30-F	775 mm (30-1/2") – 781 mm (30-3/4")	406 mm (16") – 413 mm (16-1/4")
GRSBF-30-I	775 mm (30-1/2") – 781 mm (30-3/4")	508 mm (20") – 514 mm (20-1/4")
GRSBF-30-S	775 mm (30-1/2") – 781 mm (30-3/4")	622 mm (24-1/2") – 629 mm (24-3/4")
GRSBF-30-O	775 mm (30-1/2") – 781 mm (30-3/4")	775 mm (30-1/2") – 781 mm (30-3/4")
GRSBF-36-F	927 mm (36-1/2") – 934 mm (36-3/4")	406 mm (16") – 413 mm (16-1/4")
GRSBF-36-I	927 mm (36-1/2") – 934 mm (36-3/4")	508 mm (20") – 514 mm (20-1/4")
GRSBF-36-S	927 mm (36-1/2") – 934 mm (36-3/4")	622 mm (24-1/2") – 629 mm (24-3/4")
GRSBF-36-O	927 mm (36-1/2") – 934 mm (36-3/4")	775 mm (30-1/2") – 781 mm (30-3/4")
GRSBF-42-F	1080 mm (42-1/2") – 1086 mm (42-3/4")	406 mm (16") – 413 mm (16-1/4")
GRSBF-42-I	1080 mm (42-1/2") – 1086 mm (42-3/4")	508 mm (20") – 514 mm (20-1/4")
GRSBF-42-S	1080 mm (42-1/2") – 1086 mm (42-3/4")	622 mm (24-1/2") – 629 mm (24-3/4")
GRSBF-42-O	1080 mm (42-1/2") – 1086 mm (42-3/4")	775 mm (30-1/2") – 781 mm (30-3/4")
GRSBF-48-F	1232 mm (48-1/2") – 1238 mm (48-3/4")	406 mm (16") – 413 mm (16-1/4")
GRSBF-48-I	1232 mm (48-1/2") – 1238 mm (48-3/4")	508 mm (20") – 514 mm (20-1/4")
GRSBF-48-S	1232 mm (48-1/2") – 1238 mm (48-3/4")	622 mm (24-1/2") – 629 mm (24-3/4")
GRSBF-48-O	1232 mm (48-1/2") – 1238 mm (48-3/4")	775 mm (30-1/2") – 781 mm (30-3/4")
GRSBF-60-F	1537 mm (60-1/2") – 1543 mm (60-3/4")	406 mm (16") – 413 mm (16-1/4")
GRSBF-60-I	1537 mm (60-1/2") – 1543 mm (60-3/4")	508 mm (20") – 514 mm (20-1/4")
GRSBF-60-S	1537 mm (60-1/2") – 1543 mm (60-3/4")	622 mm (24-1/2") – 629 mm (24-3/4")
GRSBF-60-O	1537 mm (60-1/2") – 1543 mm (60-3/4")	775 mm (30-1/2") – 781 mm (30-3/4")
GRSBF-72-F	1842 mm (72-1/2") – 1848 mm (72-3/4")	406 mm (16") – 413 mm (16-1/4")
GRSBF-72-I	1842 mm (72-1/2") – 1848 mm (72-3/4")	508 mm (20") – 514 mm (20-1/4")
GRSBF-72-S	1842 mm (72-1/2") – 1848 mm (72-3/4")	622 mm (24-1/2") – 629 mm (24-3/4")
GRSBF-72-O	1842 mm (72-1/2") – 1848 mm (72-3/4")	775 mm (30-1/2") – 781 mm (30-3/4")



## Généralités

Utilisez la procédure suivante pour allumer et faire fonctionner les appareils GRS, GRSB et GRSBF.

### ⚠ AVERTISSEMENT

Lire tous les messages de sécurité de la section Consignes de sécurité importantes avant d'utiliser ce matériel.

1. Branchez l'appareil dans une prise électrique avec mise à la terre, configuration et tension correctes. Consultez la section SPÉCIFICATIONS de ce manuel pour avoir plus d'informations.
2. Mettez l'interrupteur Marche/Arrêt (I/O) en position Marche.

### ⚠ ATTENTION

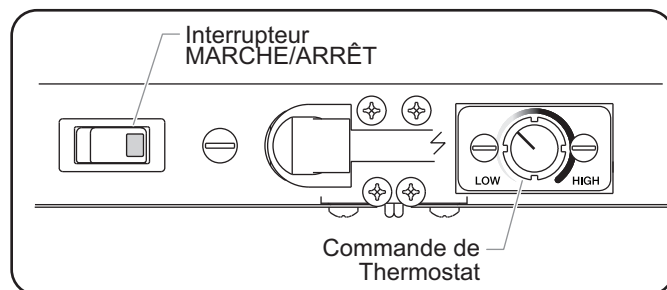
**DANGER DE BRÛLURE :** Certaines surfaces extérieures de l'appareil deviennent chaudes. Toucher ces zones de l'appareil avec précaution.

3. Tourner le thermostat sur le réglage de température désiré.

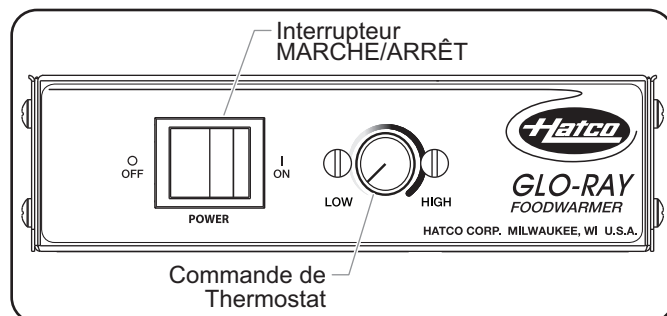
*NOTA: Le fait de tourner le bouton de contrôle du thermostat dans le sens horaire va augmenter la température. Le fait de tourner le bouton de commande du thermostat dans le sens anti-horaire va diminuer la température.*

4. Laisser s'écouler 30 minutes pour que l'appareil atteigne la température de fonctionnement.

*NOTA: Consultez la section OPTIONS ET ACCESSOIRES pour avoir plus d'informations concernant l'installation et le fonctionnement des appareils GRSB et GRSBF équipés d'un boîtier de contrôle distant de type encastré.*



Panneau de Contrôle — Modèle GRS



Panneau de Contrôle — Modèle GRSB et GRSBF

## MAINTENANCE

## Généralités

Les rayonnages chauffants Glo-Ray de Hatco sont conçus pour fournir une durabilité et des performances maximales avec une maintenance minimale.

### ⚠ AVERTISSEMENT

**DANGER DE DÉCHARGE ÉLECTRIQUE :**

- Mettez l'unité hors tension depuis l'interrupteur, débranchez le cordon d'alimentation et laissez l'unité refroidir avant d'effectuer tout nettoyage, tout réglage ou tout entretien.
- NE PAS immerger l'appareil ni le saturer d'eau. L'appareil n'est pas étanche à l'eau. Ne pas le faire fonctionner s'il a été immergé ou saturé d'eau.
- Ne pas nettoyer à la vapeur ni utiliser trop d'eau sur l'appareil.
- Ne pas nettoyer l'appareil lorsqu'il est sous tension.

Pour les réparations, utiliser exclusivement des pièces de rechange Hatco d'origine. Utilisez des pièces détachées Hatco authentiques sous peine d'annuler toutes les garanties et d'exposer l'utilisateur à des tensions électriques dangereuses pouvant entraîner une électrocution ou des brûlures. Les pièces de rechange Hatco d'origine sont conçues pour fonctionner sans danger dans les environnements dans lesquels elles sont utilisées. Certaines pièces de rechange génériques ou de second marché ne présentent pas les caractéristiques leur permettant de fonctionner sans danger dans la matériel Hatco.

### ⚠ AVERTISSEMENT

**Cet appareil ne contient aucune pièce réparable par l'utilisateur. Si cet appareil doit être réparé, contacter un réparateur Hatco agréé ou le Service après-vente Hatco au +1 414-671-6350 ; télécopieur +1 414-671-3976.**

## Nettoyage

Pour préserver la finition de l'appareil et maintenir la performance, il est recommandé de nettoyer tous les jours l'appareil.

### AVIS

**Utiliser uniquement des produits nettoyants non abrasifs. Les produits nettoyants abrasifs peuvent rayer la finition de l'appareil, ce qui altère son apparence et le rend plus susceptible d'accumuler la saleté.**

1. Mettre l'appareil hors tension, débrancher le cordon d'alimentation et laisser refroidir l'appareil.
2. Retirez et lavez tous les bacs à aliments si cela est nécessaire.
3. Essuyez toutes les surfaces métalliques à l'aide d'un chiffon humide non abrasif. Les dépôts minéraux peuvent être retirés à l'aide d'un bon nettoyant pour acier inoxydable ou un produit non abrasif. Les recoins difficiles d'accès doivent être nettoyés avec une petite brosse et du savon doux.
4. Essuyez toutes les surfaces à l'aide d'un chiffon sec non abrasif.

## ⚠ AVERTISSEMENT

La réparation de cet appareil doit être confiée exclusivement à du personnel qualifié. Les réparations par des personnes non qualifiées peuvent provoquer des décharges électriques et des brûlures.

## ⚠ AVERTISSEMENT

**DANGER DE DÉCHARGE ÉLECTRIQUE:** Mettez l'unité hors tension depuis l'interrupteur, débranchez le cordon d'alimentation et laissez l'unité refroidir avant d'effectuer tout nettoyage, tout réglage ou tout entretien.

Symptômes	Causes Probables	Action Correctrice
Appareil trop chaud.	Valeur du thermostat trop importante.	Diminuez la valeur du thermostat.
	Thermostat bloqué en position « Marche ».	Contactez votre agent de maintenance agréé ou Hatco.
	Appareil branché à une alimentation électrique inadaptée.	Demandez à un personnel qualifié de vérifier si l'alimentation électrique correspond aux spécifications de l'appareil.
Appareil pas assez chaud.	Valeur du thermostat trop basse.	Augmentez la valeur du thermostat.
	L'appareil se trouve dans les courants d'air (conduites de climatisation ou ventilateurs d'échappement).	Supprimez les courants d'air ou déplacez l'appareil.
Appareil ne fonctionnant pas du tout.	Appareil pas branché.	Branchez l'appareil sur une alimentation électrique adaptée.
	Appareil pas allumé.	Mettez l'interrupteur Marche/Arrêt (I/O) en position Marche (I).
	L'interrupteur Marche/Arrêt (I/O) ne fonctionne pas.	Contactez votre agent de maintenance agréé ou Hatco.
	L'élément chauffant a grillé.	Contactez votre agent de maintenance agréé ou Hatco.
	Le thermostat est défectueux.	Contactez votre agent de maintenance agréé ou Hatco.

## OPTIONS ET ACCESSOIRES

### Pieds de 102 mm Réglables (Modèles GRS)

Suivez la procédure suivante pour installer les pieds de 102 mm (4") réglables sur un modèle GRS.

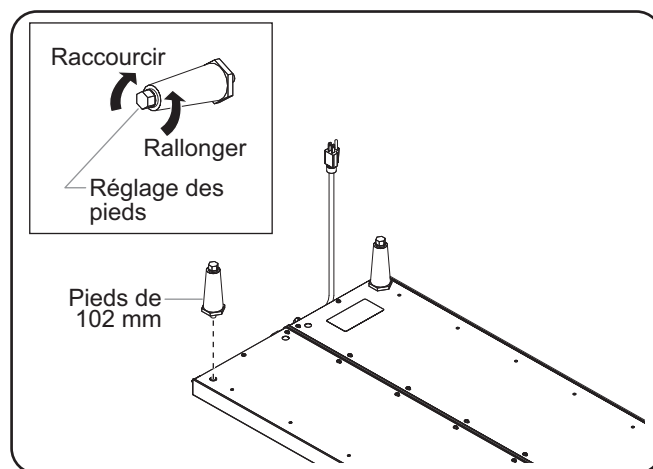
*NOTA: Les pieds de 102 mm (4") sont standard sur les modèles de 1 067 mm (42") et plus.*

1. Éteignez l'appareil, débranchez le cordon d'alimentation et laissez l'appareil refroidir.

### AVIS

**Ne couchez pas l'unité sur le côté comportant le panneau de commande. L'unité pourrait être endommagée.**

2. Retournez délicatement l'appareil et posez-le sur une surface plane. Veillez à bien couvrir la surface pour éviter de rayer l'appareil.
3. Vissez un pied de 102 mm (4") dans chaque angle sous l'appareil. Serrez à la main jusqu'à blocage. Ne serrez pas trop.
4. Remettez l'appareil à l'endroit.



Installation des pieds

*NOTA: Les pieds de 102 mm (4") sont réglables afin de mettre l'appareil de niveau. Utilisez une clé plate de 14 mm (9/16") pour faire les réglages de niveau une fois l'appareil remis à sa place définitive.*

## Boîtiers de Contrôle Distant (Modèles GRSB et GRSBF)

Deux boîtiers de contrôle distants de type encastré sont disponibles pour les appareils GRSB et GRSBF — le boîtier de contrôle de thermostat mécanique et le boîtier de contrôle de température numérique (ITC). Les deux boîtiers de contrôle s'installent selon la procédure suivante.

### ⚠ AVERTISSEMENT

Le boîtier de contrôle à distance doit être installé en position verticale sur un mur vertical. Si le boîtier de contrôle à distance est installé en position horizontale, du liquide risque de s'accumuler à l'intérieur et provoquer une décharge électrique.

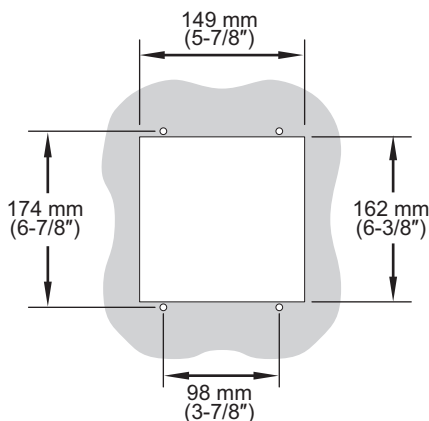
### AVIS

Installez le boîtier de contrôle distant hors de la zone chauffée. Si vous placez le boîtier de contrôle dans la zone chauffée, cela pourrait provoquer des surchauffes, des dysfonctionnements ou des défaillances des commandes.

Ne modifiez pas le câblage et ne coupez pas le câble capillaire du thermostat du boîtier de contrôle pour augmenter la distance d'installation de la commande à distance. Si vous coupez le câble capillaire du thermostat, cela risque de provoquer une surchauffe et des dommages à l'appareil ainsi qu'au comptoir.

*NOTA: Les branchements des appareils à l'alimentation électrique doivent être faits par un électricien qualifié.*

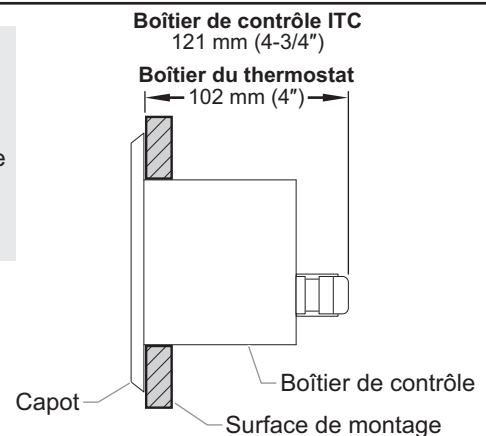
1. Préparez la découpe et pré-percez les orifices des vis (consultez l'illustration ci-dessous pour connaître les dimensions).
2. Retirez le capot du boîtier de contrôle.
3. Placez le boîtier de contrôle dans l'ouverture par l'arrière.
4. Fixez le boîtier de contrôle à la surface à l'aide des vis (non fournies).
5. Branchez une alimentation électrique adaptée au boîtier de contrôle distant.



Vue de Face de la Découpe

### REMARQUE IMPORTANTE :

Assurez-vous que l'emplacement choisi présente assez de place pour les branchements électriques au boîtier électrique.



Vue de côté du boîtier installé

Dimensions pour l'installation du boîtier de contrôle distant

6. Réinstallez le capot. Assurez l'étanchéité entre le capot et la surface de montage à l'aide d'un adhésif à la silicone.

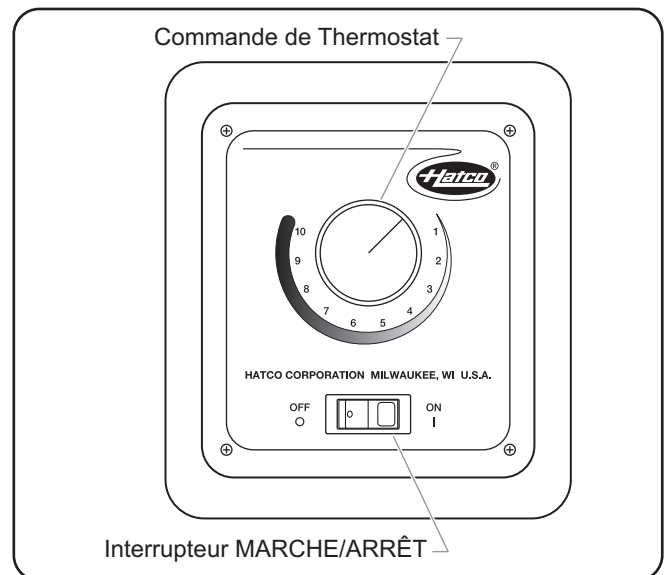
*NOTA: Les appareils sont équipés d'une gaine de câbles de 914 mm (36\") pour brancher le boîtier de contrôle sur l'appareil.*

### Interrupteur Marche/Arrêt

Les deux boîtiers de contrôle distants sont équipés d'un interrupteur Marche/Arrêt (I/O). Mettez l'interrupteur Marche/Arrêt (I/O) en position Marche pour allumer l'appareil. Le témoin de l'interrupteur s'allume lorsque l'appareil est allumé.

### Réglage du Thermostat

Tournez le bouton de contrôle du thermostat dans le sens horaire pour augmenter la température. Tournez le bouton de contrôle du thermostat dans le sens anti-horaire pour diminuer la température.



Boîtier de contrôle du thermostat

...suite

## Changer la température nominale — Régulateur numérique de la température

Une fois allumés, les appareils munis du régulateur numérique de la température chaufferont automatiquement jusqu'à la température nominale. Suivez la procédure ci-après pour programmer la température nominale.

*NOTA: La température affichée à l'écran peut s'avérer inexacte lorsque la température de l'appareil est inférieure à 54 °C (130 °F).*

Si la séquence de programmation est interrompue avant d'avoir exécuté la dernière étape, les valeurs modifiées ne seront pas enregistrées dans la mémoire.

1. Appuyez trois fois sur la touche **set**. La température nominale actuelle s'affichera sur l'écran « TEMPÉRATURE » (le signe « SP » s'affichera après la deuxième pression).
2. Appuyez sur la touche ▲ ou la touche ▼ dans un délai de dix secondes pour modifier la température nominale.
3. Appuyez sur la touche **set** pour enregistrer la nouvelle température nominale. L'affichage « TEMPÉRATURE » restera vierge pendant deux secondes puis indiquera que les nouveaux paramètres ont été acceptés.

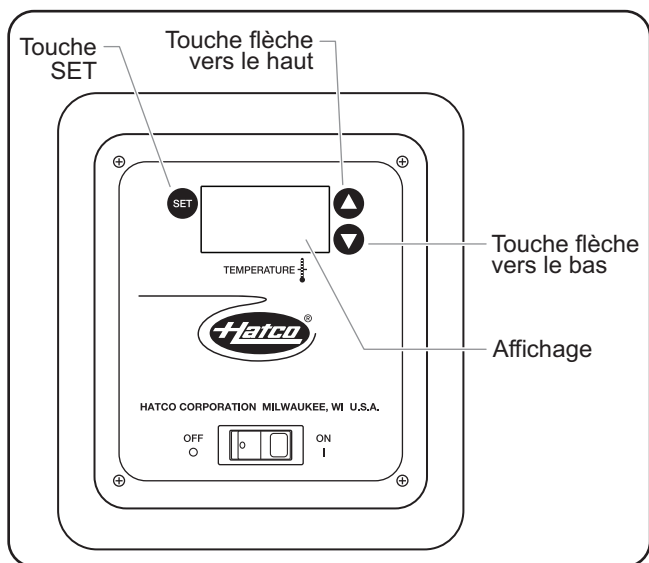
*NOTA: Après dix secondes d'inactivité au cours de la programmation, le régulateur quittera automatiquement le mode Programmation sans mémoriser la nouvelle valeur.*

## Alternance entre l'affichage Fahrenheit et Celsius — Régulateur numérique de la température

Utilisez la procédure ci-après pour alterner entre l'affichage Fahrenheit et Celsius.

1. Appuyez une fois sur la touche **set**. Saisissez « F » pour un affichage en Fahrenheit ou « C » pour un affichage en Celsius.
2. Appuyez sur la touche ▲ ou la touche ▼ dans un délai de dix secondes secondes pour alterner entre l'affichage « F » (Fahrenheit) et « C » (Celsius).
3. Appuyez trois fois sur la touche **set** pour verrouiller le nouveau paramètre. L'affichage « TEMPÉRATURE » restera vierge pendant deux secondes puis indiquera que les nouveaux paramètres ont été acceptés.

*NOTA: Après dix secondes d'inactivité au cours de la programmation, le régulateur quittera automatiquement le mode Programmation sans mémoriser la nouvelle valeur.*



Régulateur de température numérique

## 1. GARANTIE DU PRODUIT

Hatco garantit que les produits qu'il fabrique (les " produits ") seront dépourvus de vices de matériel, dans des conditions normales d'utilisation et de maintenance, pendant une période d'un (1) an à partir de la date d'achat à condition qu'ils soient installés et entretenus conformément aux instructions écrites de Hatco ou de 18 mois à partir de la date d'expédition de l'usine Hatco. L'acheteur doit prouver la date d'achat du Produit par l'enregistrement du produit auprès de Hatco ou par d'autres moyens satisfaisants pour Hatco, à sa seule discrétion.

Hatco garantit que les composants du produit suivant ne présentent aucuns défauts dans les matériaux employés pour leur construction, à partir de la date d'achat (sujet aux conditions en vigueur), pour la (les) période(s) de temps listées ci-dessous:

### a) Deux (2) ans de garantie des pièces :

Les éléments de grille-pain de la rampe (gaine métallique)  
Éléments de tiroir chauffant (gaine métallique)  
Tiroir chauffant Rouleaux chauffants et Glissières  
Éléments de rampe chauffante (gaine métallique)  
Vitrine chauffante (gaine métallique, chauffage par air)  
Éléments d'armoire de stockage  
(gaine métallique, chauffage par air)  
Éléments de puits chauffant intégrés — des séries HWB  
(gaine métallique)

### b) Cinq (5) ans de garantie des pièces :

Réservoirs 3CS et FR

### c) Dix (10) ans de garantie des pièces :

Chauffe-eau d'appoint électriques  
Chauffe-eau d'appoint au gaz

### d) Quatre-vingt dix (90) jours de garantie des pièces :

Pièces détachées de rechange

LES GARANTIES PRÉ-CITÉES SONT EXCLUSIVES ET EN LIEU DE TOUTES AUTRES GARANTIES, EXPRIMÉES OU IMPLICITES, INCLUANT MAIS NON LIMITÉ À TOUTE GARANTIE COMMERCIALE OU DE COMPATIBILITÉ POUR UN PROPOS PARTICULIER OU TOUTE VIOLATION DE BREVET OU AUTRE DROIT DE PROPRIÉTÉ INTELLECTUELLE. Sans limitation quand aux garanties pré-citées, DE TELLES GARANTIES NE COUVRENT PAS: Les ampoules à incandescence enduites, les lampes fluorescentes, les ampoules de lampes chauffantes, les ampoules halogènes enduites, les ampoules chauffantes halogènes, Ampoules au xénon, tubes à DEL, les éléments en verre et les fusibles; la défaillance de produit dans le réservoir d'appoint, l'échangeur de chaleur à tube fin, ou d'autres équipements de chauffage d'eau provoquée par le collage, l'accumulation de sédiments, les attaques chimiques ou le gel, ou une mauvaise utilisation, manipulation ou application du produit, une mauvaise installation, ou l'application de tension inadaptée.

## 2. LIMITATION DES REMÈDES ET DOMMAGES

La responsabilité de Hatco et le recours exclusif de l'acheteur ci-dessous seront limités seulement au remplacement de tout ou partie du produit en utilisant, au choix de Hatco, les pièces neuves ou remises à neuf ou le produit par Hatco ou un organisme de réparations agréé Hatco à l'égard de toute réclamation faite dans le délai de la garantie applicable mentionnée ci-dessus. Hatco se réserve le droit d'accepter ou de rejeter toute réclamation de ce type en tout ou partie. Dans le contexte de cette garantie limitée, « remis à neuf » signifie qu'une pièce ou un produit a été ramené à ses caractéristiques techniques par Hatco ou par un centre de réparation agréé par Hatco. Hatco n'acceptera pas le renvoi de tel produit que ce soit sans une autorisation écrite préalable de Hatco, et les coûts d'expédition des renvois approuvés sont à la charge exclusive de l'acheteur. HATCO NE PEUT ÊTRE TENU RESPONSABLE, SOUS AUCUNE CIRCONSTANCE, POUR DES DOMMAGES CONSÉCUTIFS OU INCIDENTS, INCLUANT MAIS NON LIMITÉS AU COÛT DE LA MAIN D'ŒUVRE OU A LA PERTE DE PROFIT RÉSULTANT DE L'UTILISATION OU DE L'IMPOSSIBILITÉ D'UTILISER LES PRODUITS OU DU FAIT QUE LE PRODUIT SOIT INCORPORÉ OU DEVIENNE UN COMPOSANT D'UN AUTRE PRODUIT OU MARCHANDISE.

## INFORMATIONS DE SERVICE

La garantie des rayonnages chauffants Hatco Glo-Ray® s'applique pour une durée d'un an à partir de la date d'achat ou de dix-huit mois à partir de la date d'expédition de l'usine Hatco, premier terme échu.

Si vous rencontrez un problème avec un rayonnement chauffant pendant la période de garantie, procédez comme suit :

### Contactez un Revendeur Hatco

Se tenir prêt à lui fournir les informations suivantes pour garantir un traitement rapide:

- Modèle
- Numéro de Série (situé(e) en bas des modèles GRS ou en bas du boîtier de contrôle des modèles GRSB et GRSBF)
- Problème Spécifique
- Date d'achat
- Nom de l'entreprise
- Adresse d'expédition
- Nom de la Personne à Contacter et Téléphone

Ensuite, le Revendeur Hatco:

- Fournira les pièces détachées requises.
- Enverra la réclamation sous garantie à Hatco pour traitement.

### Problèmes non liés à la garantie

En cas de problème hors garantie exigeant une assistance, contactez le centre de SAV agréé par Hatco le plus proche.

Pour trouver le centre de SAV le plus proche :

- allez sur notre site Web [www.hatcocorp.com](http://www.hatcocorp.com), sélectionnez le menu déroulant Resources, puis cliquez sur « Find Service Agent/Distributor »
- appelez le SAV Hatco au 414-671-6350
- envoyez un courriel au SAV Hatco à [partsandservice@hatcocorp.com](mailto:partsandservice@hatcocorp.com)





**GB** Symbol Identification

**ES** Identificación de los símbolos

**FR** Identification de Symbole



Caution — Hot Surface  
Precaución: superficie caliente  
Attention - Surface Chaude



Power ON  
Encendido  
Puissance Sur



Power OFF  
Apagado  
Hors Tension



Standby  
En espera  
Veille



Protective Earth Ground  
Puesta a tierra protectora  
La Terre de Protection



Earth Ground  
Puesta a tierra  
Mise à la Terre



Equipotential Ground  
Masa equipotencial  
Rez de Potentiel



Alternating Current  
Corriente alterna  
Courant Alternatif



Water Fill, Low Water  
Llenado de agua, bajo nivel de agua  
Remplir d'eau, Bas Niveau d'eau



Humidity, Humidity Cycle  
Humedad, ciclo de humedad  
Humidité, Cycle Humidité

**HATCO CORPORATION**

P.O. Box 340500

Milwaukee, WI 53234-0500 U.S.A.

Telephone 414-671-6350

International Fax 414-671-3976

partsandservice@hatcocorp.com

www.hatcocorp.com

### Register online!

See IMPORTANT OWNER INFORMATION  
for more information.

### ¡Regístrese en línea!

Consulte la sección INFORMACIÓN IMPORTANTE  
PARA EL PROPIETARIO para obtener información.

### S'inscrire en ligne!

Lisez la section INFORMATIONS IMPORTANTES  
POUR LE PROPRIETAIRE pour plus de informations.