



Register Online!
¡Regístrese en línea!
S'inscrire en ligne!



Original Instructions
Instrucciones originales
Instructions originales

GLO-RAY®

GRSS, GRSSB, and GRSSR Series

I&W #07.05.198.00
(1 of 2)

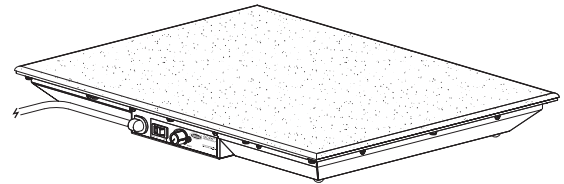
GB Heated Stone Shelves

GRSS, GRSSB, and GRSSR Series

Installation and Operating Manual

For CE and Non-CE Models

P 2



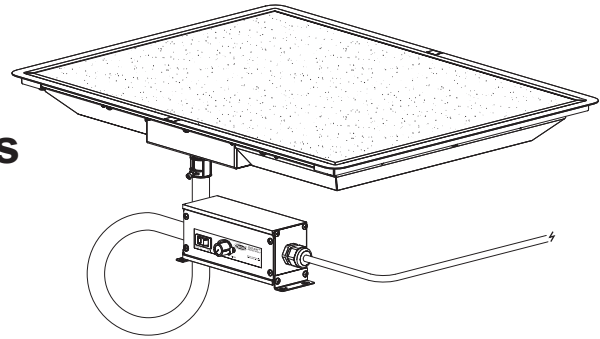
ES Estantes pétreos calentados

GRSS, GRSSB, y GRSSR Serie

Manual de Instalación y Operación

Para modelos CE y no CE

P 19



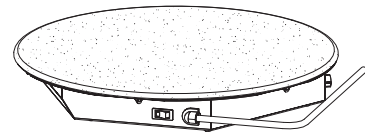
FR Plaque Chauffante en Pierre

GRSS, GRSSB, et GRSSR Série

Manuel d'installation et d'utilisation

Pour les modèles CE et non-CE

P 36



⚠ WARNING

Do not operate this equipment unless you have read and understood the contents of this manual! Failure to follow the instructions contained in this manual may result in serious injury or death. This manual contains important safety information concerning the maintenance, use, and operation of this product. If you're unable to understand the contents of this manual, please bring it to the attention of your supervisor. Keep this manual in a safe location for future reference.

⚠ ADVERTENCIA

No opere este equipo al menos que haya leído y comprendido el contenido de este manual! Cualquier falla en el seguimiento de las instrucciones contenidas en este manual puede resultar en un serio lesión o muerte. Este manual contiene importante información sobre seguridad concerniente al mantenimiento, uso y operación de este producto. Si usted no puede entender el contenido de este manual por favor pregunte a su supervisor. Almacenar este manual en una localización segura para la referencia futura.

⚠ AVERTISSEMENT

Ne pas utiliser cet équipement sans avoir lu et compris le contenu de ce manuel ! Le non-respect des instructions contenues dans ce manuel peut entraîner de graves blessures ou la mort. Ce manuel contient des informations importantes concernant l'entretien, l'utilisation et le fonctionnement de ce produit. Si vous ne comprenez pas le contenu de ce manuel, veuillez le signaler à votre supérieur. Conservez ce manuel dans un endroit sûr pour pouvoir vous y référer plus tard.

Important Owner Information	2	Installation	9
Introduction	2	General	9
Important Safety Information	3	GRSS and GRSSR Models	9
Model Description	4	GRSSB Models.....	9
All Models	4	Operation	11
GRSS Models	4	General	11
GRSSR Models	4	Maintenance	12
GRSSB Models.....	4	General	12
Model Designation	4	Daily Cleaning.....	12
Specifications	5	Cleaning the Stone Surface.....	12
Plug Configurations	5	Troubleshooting Guide	13
Electrical Rating Chart.....	5	Options and Accessories	14
Dimensions	7	International Limited Warranty	18
		Service Information	18

IMPORTANT OWNER INFORMATION

Record the model number, serial number (specification label on bottom of GRSS model, bottom of control box on GRSSB and GRSSR models), voltage, and purchase date of the unit in the spaces below. Please have this information available when calling Hatco for service assistance.

Model No. _____

Serial No. _____

Voltage _____

Date of Purchase _____

Register your unit!

Completing online warranty registration will prevent delay in obtaining warranty coverage. Access the Hatco website at www.hatcocorp.com, select the *Parts & Service* pull-down menu, and click on "Warranty Registration".

Business Hours:

7:00 AM to 5:00 PM
Central Standard Time (C.S.T.)
(Summer Hours: June to September –
7:00 AM to 5:00 PM C.S.T.
Monday through Thursday
7:00 AM to 4:00 PM C.S.T. Friday)

Telephone: 414-671-6350

E-mail: partsandservice@hatcocorp.com

Fax: 414-671-3976 (Parts and Service)

Additional information can be found by visiting our web site at www.hatcocorp.com.



Correct Disposal of this Product

This marking indicates that this product and its electronic components should not be disposed of with other commercial waste. To prevent possible harm to the environment or human health from uncontrolled waste disposal, recycle responsibly to promote the sustainable reuse of material resources. To dispose of product and its electronic components, contact supplier where product was purchased for environmentally safe recycling.

INTRODUCTION

The Hatco Glo-Ray® Heated Stone Shelf is designed to keep prepared foods hot while blending into your décor. Heated Stone Shelves will keep all foods at optimum serving temperatures without affecting quality. These warmers have a thermostatically-controlled heated base to extend the holding times of most foods.

Glo-Ray Heated Stone Shelves are a product of extensive research and field testing. The materials used were selected for maximum durability, attractive appearance, and optimum performance. Every unit is inspected and tested thoroughly prior to shipment.

This manual provides the installation, safety, and operating instructions for the Glo-Ray Heated Stone Shelf. Hatco recommends all installation, operating, and safety instructions appearing in this manual be read prior to installation or operation of the unit.

Safety information that appears in this manual is identified by the following signal word panels:



WARNING indicates a hazardous situation which, if not avoided, could result in death or serious injury.



CAUTION indicates a hazardous situation which, if not avoided, could result in minor or moderate injury.



NOTICE is used to address practices not related to personal injury.



Read the following important safety information before using this equipment to avoid serious injury or death and to avoid damage to equipment or property.

WARNING

ELECTRIC SHOCK HAZARD:

- Plug unit into a properly grounded electrical receptacle of the correct voltage, size, and plug configuration. If plug and receptacle do not match, contact a qualified electrician to determine and install the proper voltage and size electrical receptacle.
- Remote mounted control enclosure must be mounted on a vertical wall and installed in vertical position. Mounting control enclosure in horizontal position may result in collection of liquids and lead to an electric shock.
- Turn OFF power switch, unplug power cord, and allow unit to cool before performing any cleaning, adjustments, or maintenance.
- DO NOT submerge or saturate with water. Unit is not waterproof. Do not operate if unit has been submerged or saturated with water.
- Unit is not weatherproof. Locate unit indoors where ambient air temperature is a minimum of 21°C (70°F).
- Do not steam clean or use excessive water on unit.
- This unit is not “jet-proof” construction. Do not use jet-clean spray to clean this unit.
- Do not pull unit by power cord.
- Discontinue use if power cord is frayed or worn.
- Do not attempt to repair or replace a damaged power cord. The cord must be replaced by Hatco, an Authorized Hatco Service Agent, or a person with similar qualifications.
- This unit must be serviced by qualified personnel only. Service by unqualified personnel may lead to electric shock or burn.
- Use only Genuine Hatco Replacement Parts when service is required. Failure to use Genuine Hatco Replacement Parts will void all warranties and may subject operators of the equipment to hazardous electrical voltage, resulting in electrical shock or burn. Genuine Hatco Replacement Parts are specified to operate safely in the environments in which they are used. Some aftermarket or generic replacement parts do not have the characteristics that will allow them to operate safely in Hatco equipment.

FIRE HAZARD: Locate unit a minimum of 25 mm (1”) from combustible walls and materials. If safe distances are not maintained, discoloration or combustion could occur.

Make sure food product has been heated to the proper food-safe temperature before placing on the unit. Failure to heat food product properly may result in serious health risks. This unit is for holding preheated food product only.

Make sure all operators have been instructed on the safe and proper use of the unit.

This unit is not intended for use by children or persons with reduced physical, sensory, or mental capabilities. Ensure proper supervision of children and keep them away from the unit.

WARNING

This unit has no “user-serviceable” parts. If service is required on this unit, contact an Authorized Hatco Service Agent or contact the Hatco Service Department at 414-671-6350; fax 414-671-3976.

CAUTION

BURN HAZARD: Some exterior surfaces on the unit will get hot. Use caution when touching these areas.

Locate unit at proper counter height in an area that is convenient for use. Location should be level to prevent unit or its contents from falling accidentally and strong enough to support the weight of the unit and contents.

Do not operate built-in models without the trim mounting ring and the control box mounted properly as described in the installation instructions.

The National Sanitation Foundation (NSF) requires that units over 914 mm (36”) in width or weighing more than 36 kg (80 lbs.) either be sealed to or raised above the installation surface. If unit cannot be sealed at the point of use, 102 mm (4”) legs are included to allow for proper cleaning access below unit.

Make sure to clean and sanitize stone surface properly after deep cleaning the surface using abrasives and before placing food product on unit.

NOTICE

Unit is designed and recommended for use in or on metallic countertops. Damage to any countertop material caused by heat generated from Hatco equipment is not covered under the Hatco warranty. Verify with the manufacturer that the material is suitable for prolonged temperatures up to 200°F (93°C).

Built-in units must not have a setpoint temperature higher than 93°C (200°F). Temperatures exceeding 93°C (200°F) will damage unit and void warranty.

Do not lay unit on the side with the control panel. Damage to unit could occur.

Use non-abrasive cleaners and cloths only. Abrasive cleaners and cloths could scratch finish of unit, marring its appearance and making it susceptible to soil accumulation.

Do not drag or slide unit when moving or installing. Carefully lift unit to prevent the rubber feet from tearing off.

Do not modify wiring or cut thermostat capillary on control box to increase remote mounting distance. Cutting thermostat capillary will cause unit to overheat and may damage unit as well as surrounding countertop.

If weight on shelf exceeds 23 kg (50 lbs.), a deflection up to 4 mm (5/32”) is possible. If weight on shelf exceeds 45 kg (100 lbs.), a deflection of 6 mm (1/4”) is possible. Shelf is not guaranteed if weight on shelf exceeds 68 kg (150 lbs.). All weight must be distributed evenly across entire shelf.

MODEL DESCRIPTION

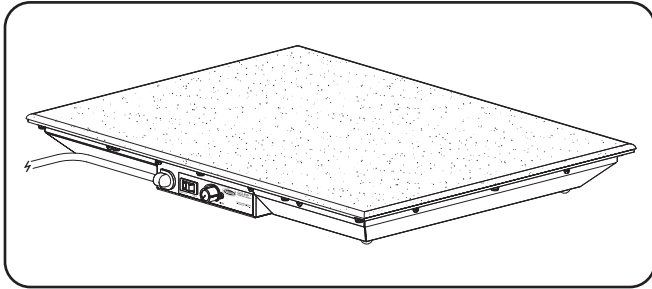


All Models

All Hatco Glo-Ray® Heated Stone Shelves are ideal for pass through areas, buffet lines, and as hors d'oeuvre displays. The unique Heated Stone Shelf is constructed of a simulated stone solid surface and is available in several colors. Standard equipment includes an illuminated Power I/O (on/off) switch, a thermostatically-controlled heated stone top, and painted steel base. The Heated Stone Shelves have a temperature range of 38° to 93°C (100° to 200°F).

GRSS Models

The GRSS Heated Stone Shelf is a portable shelf with an attached 1829 mm (6') cord and plug. The portable unit is available in six models: GRSS-2418, GRSS-3018, GRSS-3618, GRSS-4818, GRSS-6018, and GRSS-7218.

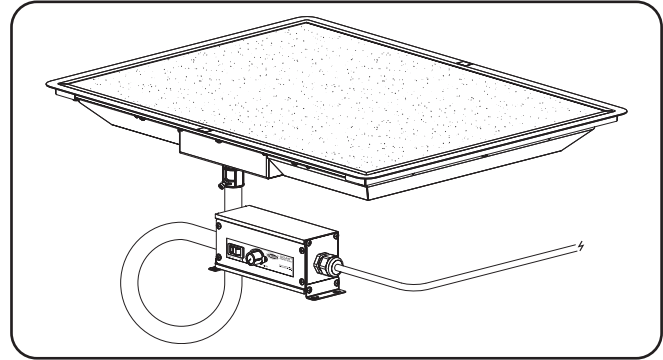


Model GRSS

GRSSB Models

The GRSSB Heated Stone Shelf is a built-in unit that is equipped with an attached trim mounting ring. The unit includes a remote control box that is attached with 3' (914 mm) of conduit. A 1829 mm (6') power cord with plug connects the remote control box to the power source.

The built-in units are available in six models: GRSSB-2418, GRSSB-3018, GRSSB-3618, GRSSB-4818, GRSSB-6018, and GRSSB-7218.

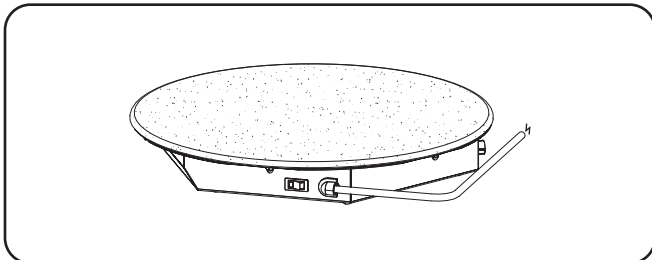


Model GRSSB

NOTE: Refer to the OPTIONS AND ACCESSORIES section in this manual for the available options and accessories.

GRSSR Models

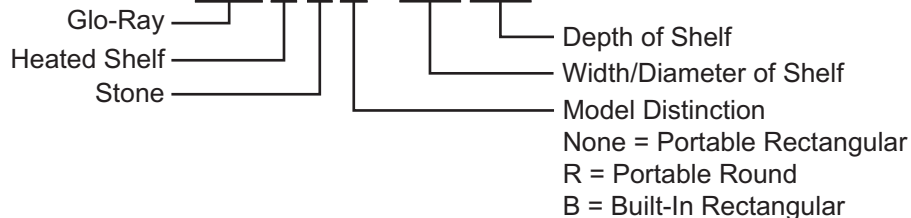
The GRSSR Heated Stone Shelf is a portable round shelf with an attached 1829 mm (6') cord and plug. The portable unit is available in three models: GRSSR-16, GRSSR-18 and GRSSR-20.



Model GRSSR

MODEL DESIGNATION

GRSSX - XXXX



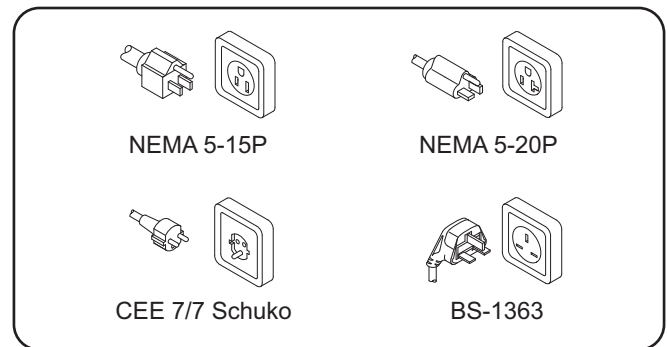
Plug Configuration

Units are supplied from the factory with an electrical cord and plug installed. Plugs are supplied according to the applications.



ELECTRIC SHOCK HAZARD: Plug unit into a properly grounded electrical receptacle of the correct voltage, size, and plug configuration. If plug and receptacle do not match, contact a qualified electrician to determine and install proper voltage and size electrical receptacle.

NOTE: Specification label on bottom of GRSS model, bottom of control box on GRSSB and GRSSR models. See label for serial number and verification of unit electrical information.



Plug Configurations

NOTE: Receptacle not supplied by Hatco.

Electrical Rating Chart — GRSS Models

Model	Voltage	Watts	Amps	Plug Configuration	Shipping Weight
GRSS-2418	120	635	5.3	NEMA 5-15P	12 kg (27 lbs.)
	220–230 (CE)	534–583	2.4–2.5	CEE 7/7 Schuko	12 kg (27 lbs.)
	230–240 (CE)	583–635	2.5–2.6	BS-1363	12 kg (27 lbs.)
GRSS-3018	120	780	6.5	NEMA 5-15P	14 kg (30 lbs.)
	220–230 (CE)	655–716	3.0–3.1	CEE 7/7 Schuko	14 kg (30 lbs.)
	230–240 (CE)	716–780	3.1–3.3	BS-1363	14 kg (30 lbs.)
GRSS-3618	120	930	7.8	NEMA 5-15P	16 kg (35 lbs.)
	220–230 (CE)	782–854	3.6–3.7	CEE 7/7 Schuko	16 kg (35 lbs.)
	230–240 (CE)	854–930	3.7–3.9	BS-1363	16 kg (35 lbs.)
GRSS-4818	120	1270	10.6	NEMA 5-15P	20 kg (45 lbs.)
	220–230 (CE)	1068–1166	4.8–5.0	CEE 7/7 Schuko	20 kg (45 lbs.)
	230–240 (CE)	1166–1270	5.0–5.2	BS-1363	20 kg (45 lbs.)
GRSS-6018	120	1560	13.0	NEMA 5-20P	25 kg (56 lbs.)
	220–230 (CE)	1310–1432	6.0–6.2	CEE 7/7 Schuko	25 kg (56 lbs.)
	230–240 (CE)	1432–1560	6.2–6.6	BS-1363	25 kg (56 lbs.)
GRSS-7218	120	1860	15.6	NEMA 5-20P	31 kg (68 lbs.)
	220–230 (CE)	1564–1708	7.2–7.4	CEE 7/7 Schuko	31 kg (68 lbs.)
	230–240 (CE)	1708–1860	7.4–7.8	BS-1363	31 kg (68 lbs.)

The shaded areas contain electrical information for **International models only**.

NOTE: Shipping weight includes packaging.

SPECIFICATIONS



Electrical Rating Chart — GRSSR Models

Model	Voltage	Watts	Amps	Plug Configuration	Shipping Weight
GRSSR-16	120	250	2.1	NEMA 5-15P	6 kg (14 lbs.)
	100	180	1.8	NEMA 5-15P	6 kg (14 lbs.)
	220-230 (CE)	190-220	0.8-0.9	CEE 7/7 Schuko	6 kg (14 lbs.)
	230-240 (CE)	220-250	0.9-1.0	BS-1363	6 kg (14 lbs.)
GRSSR-18	120	325	2.7	NEMA 5-15P	7 kg (16 lbs.)
	100	230	2.3	NEMA 5-15P	7 kg (16 lbs.)
	220-230 (CE)	265-295	1.2-1.3	CEE 7/7 Schuko	7 kg (16 lbs.)
	230-240 (CE)	295-325	1.3-1.4	BS-1363	7 kg (16 lbs.)
GRSSR-20	120	400	3.3	NEMA 5-20P	8 kg (18 lbs.)
	100	270	2.7	NEMA 5-15P	8 kg (18 lbs.)
	220-230 (CE)	330-370	1.5-1.6	CEE 7/7 Schuko	8 kg (18 lbs.)
	230-240 (CE)	370-400	1.6-1.7	BS-1363	8 kg (18 lbs.)

Electrical Rating Chart — GRSSB Models

Model	Voltage	Watts	Amps	Plug Configuration	Shipping Weight
GRSSB-2418	120	635	5.3	NEMA 5-15P	14 kg (30 lbs.)
	220-230 (CE)	534-583	2.4-2.5	CEE 7/7 Schuko	14 kg (30 lbs.)
	230-240 (CE)	583-635	2.5-2.6	BS-1363	14 kg (30 lbs.)
GRSSB-3018	120	780	6.5	NEMA 5-15P	16 kg (35 lbs.)
	220-230 (CE)	655-716	3.0-3.1	CEE 7/7 Schuko	16 kg (35 lbs.)
	230-240 (CE)	716-780	3.1-3.3	BS-1363	16 kg (35 lbs.)
GRSSB-3618	120	930	7.8	NEMA 5-15P	18 kg (40 lbs.)
	220-230 (CE)	782-854	3.6-3.7	CEE 7/7 Schuko	18 kg (40 lbs.)
	230-240 (CE)	854-930	3.7-3.9	BS-1363	18 kg (40 lbs.)
GRSSB-4818	120	1270	10.6	NEMA 5-15P	23 kg (51 lbs.)
	220-230 (CE)	1068-1166	4.8-5.0	CEE 7/7 Schuko	23 kg (51 lbs.)
	230-240 (CE)	1166-1270	5.0-5.2	BS-1363	23 kg (51 lbs.)
GRSSB-6018	120	1560	13.0	NEMA 5-20P	25 kg (56 lbs.)
	220-230 (CE)	1310-1432	6.0-6.2	CEE 7/7 Schuko	25 kg (56 lbs.)
	230-240 (CE)	1432-1560	6.2-6.6	BS-1363	25 kg (56 lbs.)
GRSSB-7218	120	1860	15.6	NEMA 5-20P	32 kg (70 lbs.)
	220-230 (CE)	1564-1708	7.2-7.4	CEE 7/7 Schuko	32 kg (70 lbs.)
	230-240 (CE)	1708-1860	7.4-7.8	BS-1363	32 kg (70 lbs.)

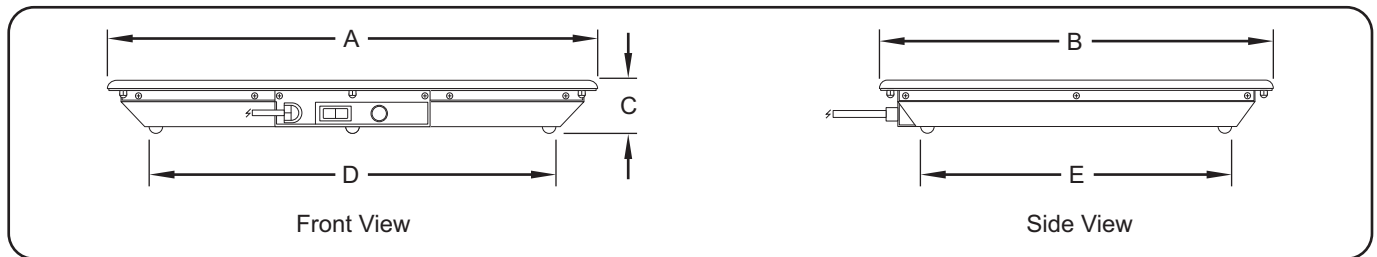
The shaded areas contain electrical information for **International models only**.

NOTE: Shipping weight includes packaging.

Dimensions — GRSS Series

Model	Width (A)	Depth (B)	Height (C)	Footprint Width (D)	Footprint Depth (E)
GRSS-2418	610 mm (24")	457 mm (18")	64 mm (2-1/2")	502 mm (19-3/4")	349 mm (13-3/4")
GRSS-3018	762 mm (30")	457 mm (18")	64 mm (2-1/2")	654 mm (25-3/4")	349 mm (13-3/4")
GRSS-3618	914 mm (36")	457 mm (18")	64 mm (2-1/2")	806 mm (31-3/4")	349 mm (13-3/4")
GRSS-4818*	1220 mm (48")	457 mm (18")	159 mm (6-1/4")	1086 mm (42-3/4")	324 mm (12-3/4")
GRSS-6018*	1524 mm (60")	457 mm (18")	159 mm (6-1/4")	1391 mm (54-3/4")	324 mm (12-3/4")
GRSS-7218*	1828 mm (72")	457 mm (18")	159 mm (6-1/4")	1695 mm (66-3/4")	324 mm (12-3/4")

* Height includes 4" (102 mm) legs.



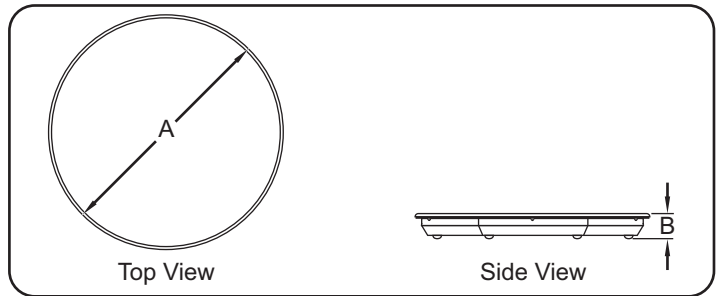
Dimensions—GRSS Model

SPECIFICATIONS



Dimensions — GRSSR Models

Model	Diameter (A)	Height (B)
GRSSR-16	406 mm (16")	67 mm (2-5/8")
GRSSR-18	457 mm (18")	67 mm (2-5/8")
GRSSR-20	508 mm (20")	67 mm (2-5/8")



Dimensions—GRSSR Model

Dimensions — GRSSB Models

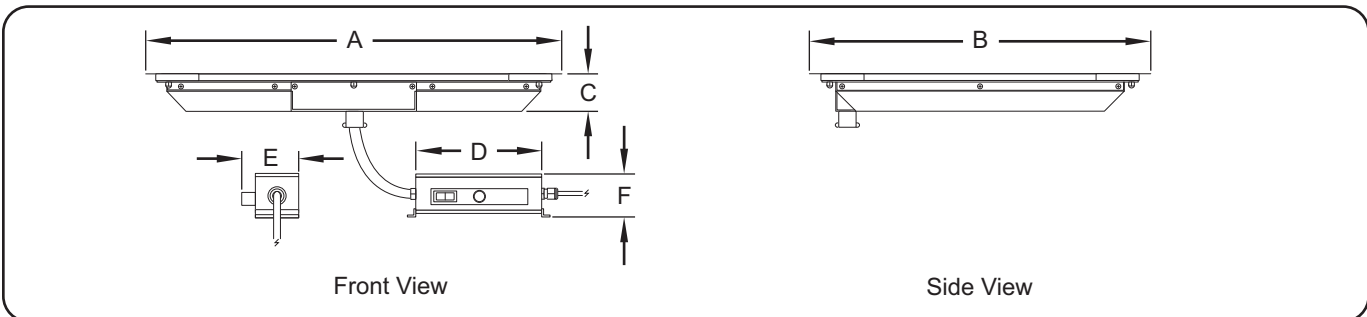
Model	Width (A)	Depth (B)	Height (C)
GRSSB-2418	651 mm (25-5/8")	498 mm (19-5/8")	57 mm (2-1/4")
GRSSB-3018	803 mm (31-5/8")	498 mm (19-5/8")	57 mm (2-1/4")
GRSSB-3618	956 mm (37-5/8")	498 mm (19-5/8")	57 mm (2-1/4")
GRSSB-4818	1260 mm (49-5/8")	498 mm (19-5/8")	57 mm (2-1/4")
GRSSB-6018	1565 mm (61-5/8")	498 mm (19-5/8")	57 mm (2-1/4")
GRSSB-7218	1870 mm (73-5/8")	498 mm (19-5/8")	57 mm (2-1/4")

	Width (D)	Depth (E)	Height (F)
Remote Box (Standard)	178 mm (7")	76 mm (3")	83 mm (3-1/4")

NOTE: See the OPTIONS AND ACCESSORIES section for dimension information for flush-style remote mounted control enclosures.

NOTICE

Refer to the INSTALLATION section of this manual for actual countertop cutout dimensions.



Dimensions—GRSSB Model

General

Use the following procedures to install the GRSS, GRSSR, and GRSSB units.

⚠ WARNING

ELECTRIC SHOCK HAZARD: Unit is not weatherproof. Locate the unit indoors where the ambient air temperature is a minimum of 21°C (70°F).

FIRE HAZARD: Locate unit a minimum of 25 mm (1") from combustible walls and materials. If safe distances are not maintained, combustion or discoloration could occur.

⚠ CAUTION

Locate unit at proper counter height in an area that is convenient for use. Location should be level to prevent unit or its contents from falling accidentally and strong enough to support the weight of the unit and contents.

The National Sanitation Foundation (NSF) requires that units over 914 mm (36") in width or weighing more than 36 kg (80 lbs.) either be sealed to or raised above the installation surface. If unit cannot be sealed at the point of use, 102 mm (4") legs are included to allow for proper cleaning access below unit.

NOTICE

Do not lay unit on the side with the control panel. Damage to unit could occur.

GRSS and GRSSR Models

1. Remove the unit from the box.

NOTE: To prevent delay in obtaining warranty coverage, complete online warranty registration. See the IMPORTANT OWNER INFORMATION section for details.

2. Remove tape and protective packaging from all surfaces of unit.

NOTE: If 102 mm (4") legs are required, refer to the OPTIONS AND ACCESSORIES section in this manual for installation instructions. 102 mm (4") legs are included with models greater than 914 mm (36") in width.

3. Place the unit in the desired location.
 - Locate the unit in an area where the ambient air temperature is constant and a minimum of 21°C (70°F). Avoid areas that may be subject to active air movements or currents (i.e., near exhaust fans/hoods and air conditioning ducts).
 - Make sure the unit is at the proper counter height in an area convenient for use.
 - Make sure the countertop is level and strong enough to support the weight of the unit and food product.
 - Make sure all the feet on the bottom of the unit are positioned securely on the countertop.

4. Install any accessories that came with the unit. Refer to the OPTIONS AND ACCESSORIES section for details.

GRSSB Models

1. Remove the unit from the box.

NOTE: To prevent delay in obtaining warranty coverage, complete online warranty registration. See the IMPORTANT OWNER INFORMATION section for details.

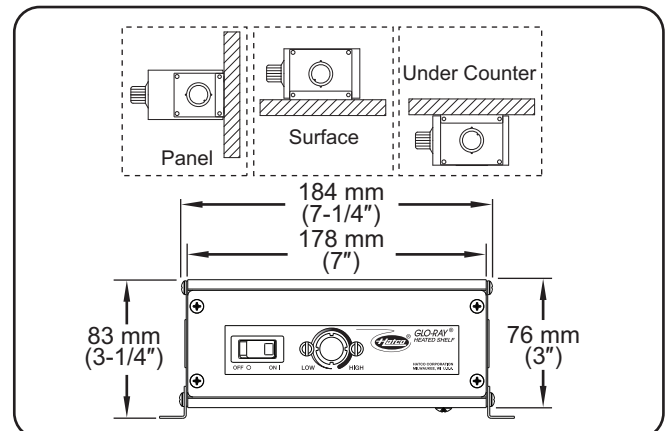
2. Remove tape and protective packaging from all surfaces of unit.

NOTICE

Damage to any countertop material caused by heat generated from Hatco equipment is not covered under the Hatco warranty. Contact the manufacturer of the countertop material for application information.

3. Prepare the countertop opening. Refer to the "GRSSB Countertop Cutout Chart" in this section for recommended countertop cutout dimensions.
4. Apply a bead of National Sanitation Foundation (NSF)-approved sealant on the top edge of the countertop cutout and the underside of the trim mounting ring. The sealant must be rated for use at a minimum temperature of 121° C (250° F).
5. Place the unit into the countertop opening.
6. Remove any excess sealant.
7. Locate the remote control box assembly in an area that is convenient for operation. If desired or necessary, the control box can be mounted in a semi-remote location.
 - Remove the control box from the bottom of the unit.
 - If necessary, remove the end brackets from the control box, rotate/reposition, and re-secure to the control box.
 - The control box can be panel, surface, or under counter mounted.
 - The distance the control box can be mounted from the unit is determined by the 914 mm (3') conduit (optional conduit lengths of 1829 mm [6'] and 3048 mm [10'] are also available with electronic controls). Do not pull the conduit tight to increase the mounting distance. The conduit should have some slack after the control box is mounted.

NOTE: The remote control box should be mounted using screws with a 6 mm (1/4") minimum diameter screw head inserted through the keyholes located on the mounting brackets. The remote control box is to be readily removable—not permanently mounted.



Control Box Mounting Options

...continued

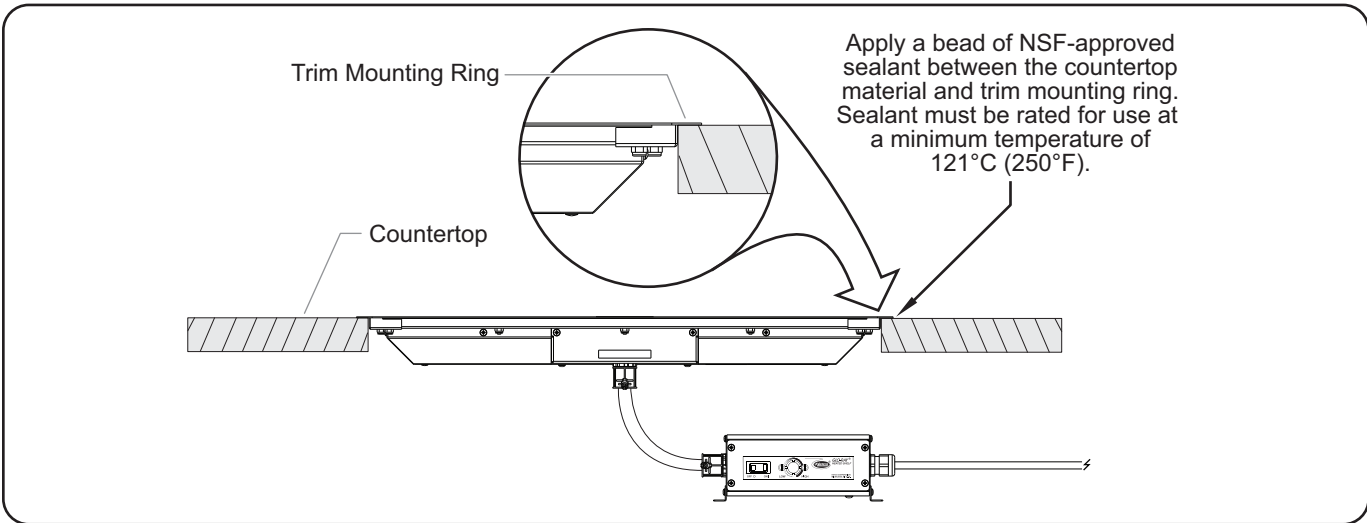
NOTICE

Do not modify wiring or cut thermostat capillary on control box to increase remote mounting distance. Cutting thermostat capillary will cause unit to overheat and may damage unit as well as surrounding countertop.

8. Once all components are secured, proceed to the OPERATION section.

NOTE: A 1829 mm (6') cord is supplied with this unit; any excess cord should be routed neatly so it does not hang down.

GRSSB Built-In Installation



GRSSB Built-In Installation

GRSSB Countertop Cutout Chart

Model	Width	Depth
GRSSB-2418	625 mm (24-5/8") – 632 mm (24-7/8")	473 mm (18-5/8") – 479 mm (18-7/8")
GRSSB-3018	778 mm (30-5/8") – 784 mm (30-7/8")	473 mm (18-5/8") – 479 mm (18-7/8")
GRSSB-3618	930 mm (36-5/8") – 937 mm (36-7/8")	473 mm (18-5/8") – 479 mm (18-7/8")
GRSSB-4818	1235 mm (48-5/8") – 1241 mm (48-7/8")	473 mm (18-5/8") – 479 mm (18-7/8")
GRSSB-6018	1540 mm (60-5/8") – 1546 mm (60-7/8")	473 mm (18-5/8") – 479 mm (18-7/8")
GRSSB-7218	1845 mm (72-5/8") – 1851 mm (72-7/8")	473 mm (18-5/8") – 479 mm (18-7/8")

General

Use the following procedure to turn on and operate the GRSS, GRSSR, and GRSSB units.

⚠ WARNING

Read all safety messages in the **IMPORTANT SAFETY INFORMATION** section before operating this equipment.

Startup

1. Clean and sanitize the stone surface using a clean, damp cloth and a sanitizer approved for food contact surfaces.
2. Plug unit into a properly grounded electrical receptacle of the correct voltage, size, and plug configuration. See SPECIFICATIONS section in this manual for details.
3. Move the Power I/O (on/off) switch to the I (on) position.

⚠ CAUTION

BURN HAZARD: Some exterior surfaces on the unit will get hot. Use caution when touching these areas.

4. Turn the temperature control to the desired temperature setting.

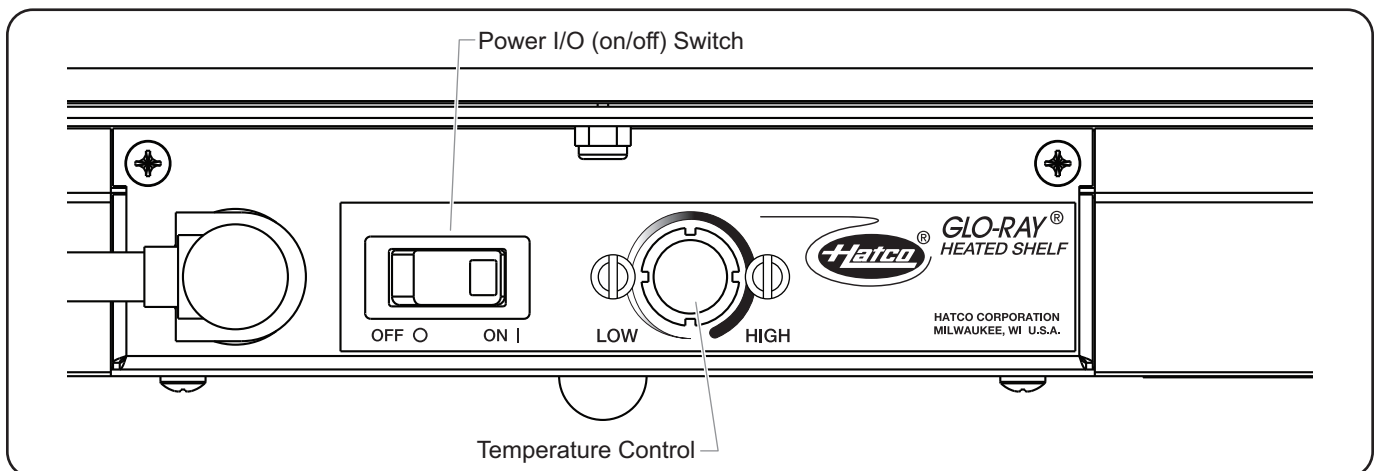
- Turning the temperature control knob clockwise will increase the temperature setting. Turning the temperature control knob counterclockwise will decrease the temperature setting.

5. Allow the unit 30 minutes to reach operating temperature.

NOTE: Refer to the OPTIONS AND ACCESSORIES section for installation and operation information for GRSSB units equipped with a flush-style remote mounted control panel.

NOTICE

If weight on shelf exceeds 23 kg (50 lbs.), a deflection up to 4 mm (5/32") is possible. If weight on shelf exceeds 45 kg (100 lbs.), a deflection of 6 mm (1/4") is possible. Shelf is not guaranteed if weight on shelf exceeds 68 kg (150 lbs.). All weight must be distributed evenly across entire shelf.



Standard Control Panel—GRSS Model

General

Hatco Glo-Ray® Heated Stone Shelves are designed for maximum durability and performance, with minimum maintenance.

WARNING

ELECTRIC SHOCK HAZARD:

- Turn OFF power switch, unplug power cord, and allow unit to cool before performing any cleaning, adjustments, or maintenance.
- DO NOT submerge or saturate with water. Unit is not waterproof. Do not operate if unit has been submerged or saturated with water.
- This unit is not “jet-proof” construction. Do not use jet-clean spray to clean this unit.
- Do not steam clean or use excessive water on unit.
- Use only Genuine Hatco Replacement Parts when service is required. Failure to use Genuine Hatco Replacement Parts will void all warranties and may subject operators of the equipment to hazardous electrical voltage, resulting in electrical shock or burn. Genuine Hatco Replacement Parts are specified to operate safely in the environments in which they are used. Some aftermarket or generic replacement parts do not have the characteristics that will allow them to operate safely in Hatco equipment.

This unit has no “user-serviceable” parts. If service is required on this unit, contact an Authorized Hatco Service Agent or contact the Hatco Service Department at 414-671-6350; fax 414-671-3976.

Daily Cleaning

To preserve the finish of the unit as well as maintain performance, it is recommended that the unit be cleaned daily.

NOTICE

Use non-abrasive cleaners and cloths only. Abrasive cleaners and cloths could scratch finish of unit, marring its appearance and making it susceptible to soil accumulation.

1. Before turning on the unit each day, clean and sanitize the stone surfaces using a clean, damp cloth and a sanitizer approved for food contact surfaces. If additional cleaning is necessary, refer to the “Cleaning the Stone Surface” information in this section.
2. At the end of each day:
 - a. Turn off the unit and allow to cool.
 - b. Wipe down all metal surfaces using a clean, damp, non-abrasive cloth.
 - c. Clean and sanitize the stone surfaces using a clean, damp cloth and a sanitizer approved for food contact surfaces. If additional cleaning is necessary, refer to the “Cleaning the Stone Surface” information in this section.

NOTE: To correct inconsistent staining and discoloration, refer to the “Cleaning the Stone Surface” information in this section.

- d. Wipe dry with a clean, non-abrasive cloth.

Cleaning the Stone Surface

Proper use of the products listed below will not damage the stone surface (follow the directions on the product labels).

NOTE: Stone surfaces are a simulated stone solid surface.

CAUTION

Make sure to clean and sanitize stone surface properly after deep cleaning the surface using abrasives and before placing food product on unit.

Hard to Remove Stains

For hard-to-remove stains, use the supplied abrasive pad along with an abrasive cleaner such as Ajax, Comet, Bon Ami, or Bar Keeper’s Friend. Additional abrasive pads are available from Hatco (P/N 04.39.049.00). **NOTICE: Use supplied abrasive pad on stone surface only.**

NOTE: Do not use steel wool or metal scouring pads.

Mineral Based Stains

For a mineral-based stain, cleaners designed to remove iron or rust are recommended and should not harm the stone surface.

Scratches

For scratches, use sandpaper starting with the coarsest grit and going to finest grit until the scratch disappears. Blend area in with the supplied abrasive pad.



This unit must be serviced by trained and qualified personnel only. Service by unqualified personnel may lead to electric shock or burn.



ELECTRIC SHOCK HAZARD: Turn OFF power switch, unplug power cord, and allow unit to cool before performing any cleaning, adjustments, or maintenance.

Symptom	Probable Cause	Corrective Action
Unit too hot.	Temperature control set too high.	Change the temperature setting to a lower setting.
	Unit plugged into incorrect power supply.	Verify with qualified personnel that power supply matches unit specification.
	Temperature control defective.	Contact Authorized Service Agent or Hatco for assistance.
Unit not hot enough.	Temperature control set too low.	Change the temperature setting to a higher setting.
	Location of unit is susceptible to air currents (air conditioning ducts or exhaust fans).	Block air currents or relocate unit.
Unit not working at all.	Unit not plugged in.	Plug unit into proper power supply.
	Unit not turned on.	Move Power I/O (on/off) switch to the I (on) position.
	Power I/O (on/off) switch defective.	Contact Authorized Service Agent or Hatco for assistance.
	Temperature control defective.	Contact Authorized Service Agent or Hatco for assistance.
	Base heating element burned out.	Contact Authorized Service Agent or Hatco for assistance.
Stone surface material is stained, discolored, or has inconsistent staining/discoloration.	Stone surface is not being cleaned properly.	Clean surface using the "Cleaning the Stone Surface" information in the MAINTENANCE section of this manual. If these methods fail to produce acceptable results, contact Hatco for assistance.
Shelf is flexing.	Excessive weight on shelf.	Distribute weight evenly on entire shelf. If weight on the shelf exceeds 23 kg (50 lbs.), a deflection up to 4 mm (5/32") is possible. If weight on the shelf exceeds 45 kg (100 lbs.), a deflection of 1/4" (6 mm) is possible. The shelf is not guaranteed if weight on shelf exceeds 68 kg (150 lbs.).

Troubleshooting Questions?

If you continue to have problems resolving an issue, please contact the nearest Authorized Hatco Service Agency or Hatco for assistance. To locate the nearest Service Agency, log onto the Hatco website at www.hatcocorp.com and click on *Find Service Agent*, or contact the **Hatco Parts and Service Team** at:

Telephone: 414-671-6350

e-mail: partsandservice@hatcocorp.com

Fax: 414-671-3976

102 mm (4") Adjustable Legs (GRSS Models only)

Use the following procedure to install 102 mm (4") adjustable legs in place of the rubber feet on a GRSS unit.

NOTE: 102 mm (4") legs are included with models greater than 914 mm (36") in width.

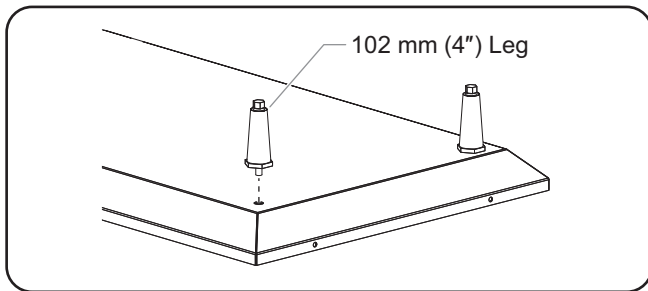


ELECTRIC SHOCK HAZARD: Turn OFF power switch, unplug power cord, and allow unit to cool before performing any cleaning, adjustments, or maintenance.



Do not lay unit on the side with the control panel. Damage to unit could occur.

1. Turn off the unit, unplug the power cord, and allow the unit to cool.
2. Carefully turn the unit upside down and lay the unit on a flat surface. Make sure to cover the surface with something to prevent scratching the glass.
3. At each corner of the base, remove the foot screw and rubber foot.



Installing the 102 mm (4") Legs

4. At each corner of the base, screw a 102 mm (4") leg through the bottom of the base.

NOTE: The feet on the 102 mm (4") legs are adjustable for leveling the unit. Use a 16 mm (5/8") open-end wrench to make leveling adjustments once the unit is placed in its final position.

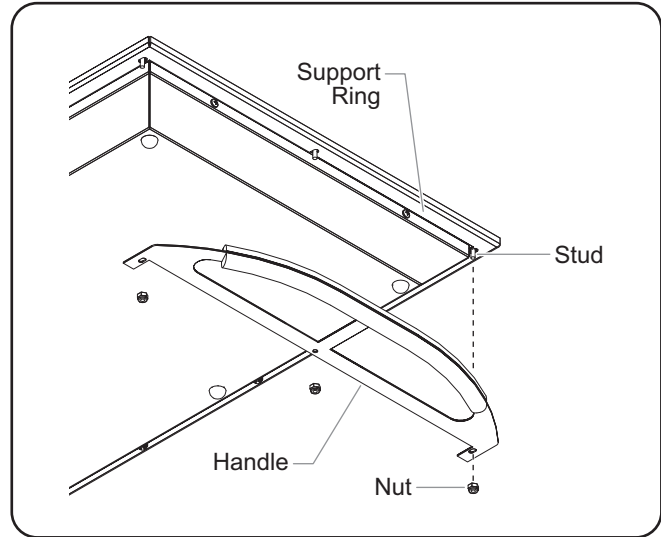
Handles (GRSS Models only)

Designer black powdercoated rounded stainless steel handles are available for GRSS models.

The handles are field retrofittable and are installed onto each end of the unit using the following procedure.

On each end of the unit:

1. Remove the three nuts located on the underside of the stone surface support ring.
2. Align the three holes on the handle with the three studs on the support ring, and position the handle on the studs.
3. Replace the three nuts onto the studs, and tighten securely.



Handle Installation

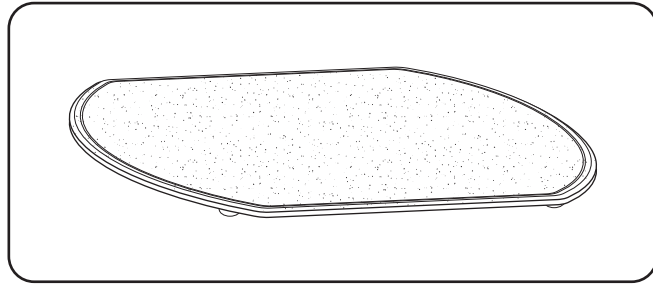
Recessed Top for GRSSB Models

An optional recessed top is available for GRSSB models. Units with a recessed top allows the heated surface to sit lower than countertop surface.

Cutting Board (GRSSR Models only)

The cutting board comes equipped with rubber feet on the bottom to center it on the unit.

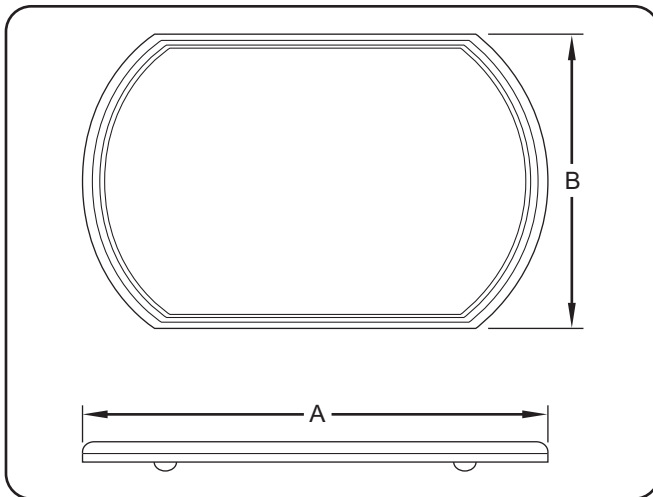
The cutting board is made of the same material as the heated stone surface and is available in the same colors.



Cutting Board

Cutting Board Dimensions

Model	Width (A)	Depth (B)
GRSSR-16	432 mm (17")	298 mm (11-3/4")
GRSSR-18	483 mm (19")	349 mm (13-3/4")
GRSSR-20	533 mm (21")	400 mm (15-3/4")



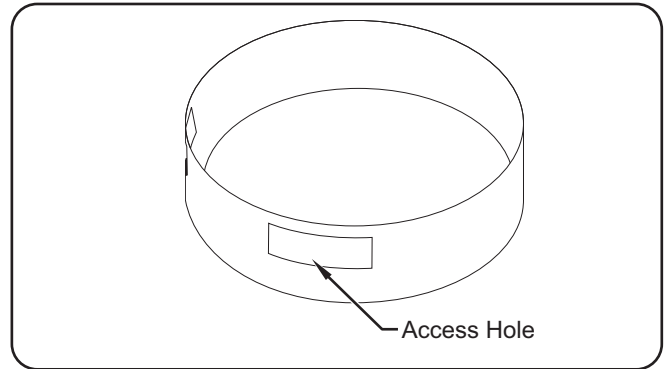
Cutting Board Dimensions

Risers (GRSSR Models only)

Steel risers are available to increase the height of GRSSR units. They are available in 76 mm (3") and 127 mm (5") heights in several colors and in stainless steel.

To install the riser:

1. Place the riser in the desired location on the countertop.
2. Thread the power cord of the GRSSR unit through one of the access holes in the riser.
3. Set the GRSSR unit inside the riser. Make sure the controls are accessible through the access holes in the riser.



Model GRSSR 127 mm (5") Riser

Remote Mounted Control Enclosures (GRSSB Models only)

Two flush-style remote mounted control enclosures are available for the GRSSB model — the Mechanical Temperature Control enclosure and the Digital Temperature Controller enclosure. Both enclosures are installed using the following procedure.



WARNING

ELECTRIC SHOCK HAZARD: Remote mounted control enclosure must be mounted on a vertical wall and installed in vertical position. Mounting control enclosure in horizontal position may result in collection of liquids and lead to an electric shock.

NOTICE

Install remote mounted control enclosure outside of heat zone. Locating control enclosure inside heat zone will cause control(s) to overheat, malfunction, and fail.

Do not modify wiring or cut thermostat capillary on control box to increase remote mounting distance. Cutting thermostat capillary will cause unit to overheat and may damage unit as well as surrounding countertop.

NOTE: A qualified electrician is recommended for connecting the units to a power source.

1. Prepare cutout and pre-drill screw holes.
2. Remove trim cover from control enclosure assembly.
3. Position control enclosure into opening through the backside.
4. Secure control enclosure to mounting surface using screws (not supplied).
5. Connect proper power source to the mounted remote control enclosure.
6. Reinstall trim cover.

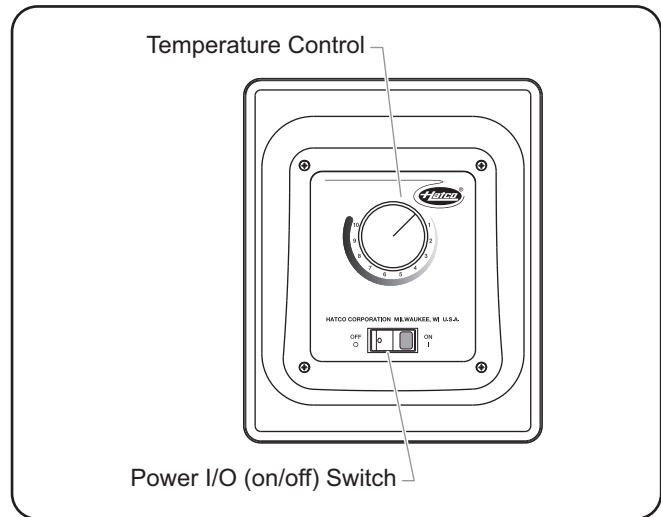
NOTE: Units are equipped with a 914 mm (3') flexible conduit connecting the control enclosure to the unit. The digital temperature controller also offers 1829 mm (6') and 3048 mm (10') conduit lengths.

Power I/O (on/off) Switch

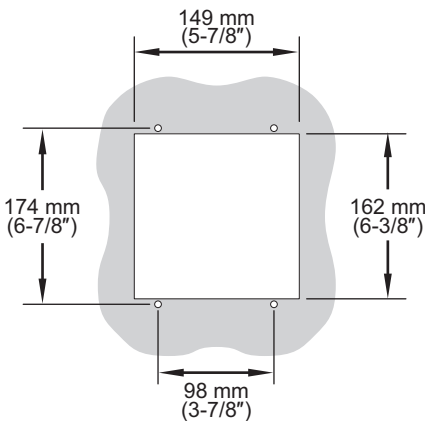
Both flush-style remote mounted control enclosures are equipped with a Power I/O (on/off) switch. Move the Power I/O (on/off) switch to the I (on) position to turn on the unit. The indicator light in the switch glows when the unit is on.

Changing the Setpoint Temperature — Mechanical Temperature Control

Turn the temperature control clockwise to increase the setpoint temperature. Turn the temperature control counterclockwise to decrease the setpoint temperature.



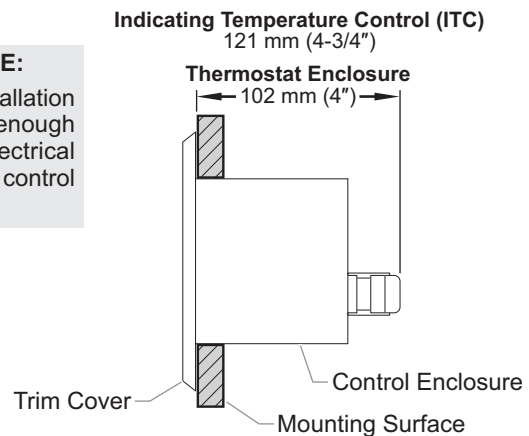
Mechanical Temperature Control



Front View of Cutout

IMPORTANT NOTE:

Make sure the installation location provides enough room for electrical connections to the control enclosure.



Side View of Installed Enclosure

Optional Remote Mounted Control Enclosure Installation Dimensions

Changing the Setpoint Temperature — Digital Temperature Controller

Units equipped with a digital temperature controller will heat up to the setpoint temperature automatically when they are turned on. Use the following procedure to change the setpoint temperature.

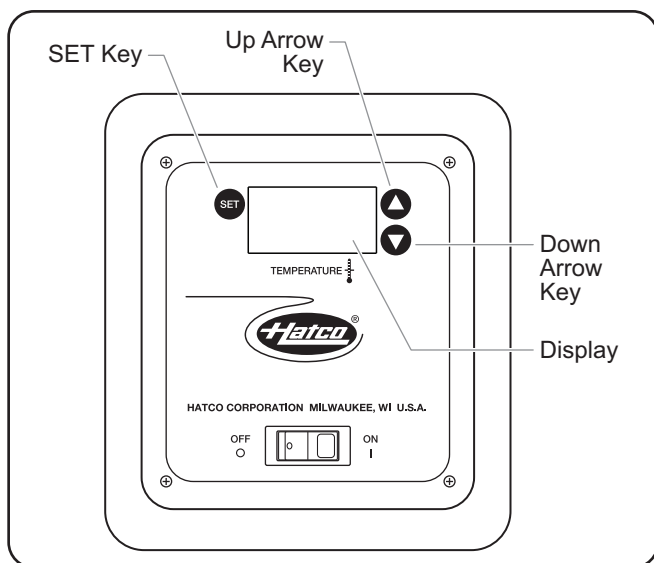
NOTICE

Built-in units must not have a setpoint temperature higher than 93°C (200°F). Temperatures exceeding 93°C (200°F) will damage unit and void warranty.

NOTE: The temperature shown on the display may be inaccurate when unit temperature is below 54°C (130°F).

1. Press the **SET** key three times. The current setpoint temperature will be shown on the TEMPERATURE display ("SP" will be displayed after the second press).
2. Press the **▲** key or **▼** key within 10 seconds to change the setpoint temperature.
3. Press the **SET** key to lock in the new setpoint temperature. The TEMPERATURE display will go blank for two seconds to show that the new setting has been accepted.

NOTE: After 10 seconds of inactivity during the programming process, the controller will exit programming mode automatically without saving any changes.



Digital Temperature Controller

Changing Fahrenheit and Celsius Setting — Digital Temperature Controller

Use the following procedure to change between Fahrenheit and Celsius on the display.

1. Press the **SET** key once. Either an "F" for Fahrenheit or "C" for Celsius will be displayed.
2. Press the **▲** key or **▼** key within 10 seconds to change between "F" (Fahrenheit) and "C" (Celsius).
3. Press the **SET** key three times to lock in the new setting. The TEMPERATURE display will go blank for two seconds to show that the new setting has been accepted.

NOTE: After 10 seconds of inactivity during the programming process, the controller will exit programming mode automatically without saving any changes.

1. PRODUCT WARRANTY

Hatco warrants the products that it manufactures (the "Products") to be free from defects in materials and workmanship, under normal use and service, for a period of one (1) year from the date of purchase when installed and maintained in accordance with Hatco's written instructions or 18 months from the date of shipment from Hatco. Buyer must establish the Product's purchase date by registering the Product with Hatco or by other means satisfactory to Hatco in its sole discretion.

Hatco warrants the following Product components to be free from defects in materials and workmanship from the date of purchase (subject to the foregoing conditions) for the period(s) of time and on the conditions listed below:

a) Two (2) Year Parts Warranty:

Conveyor Toaster Elements (metal sheathed)
Drawer Warmer Elements (metal sheathed)
Drawer Warmer Drawer Rollers and Slides
Strip Heater Elements (metal sheathed)
Display Warmer Elements (metal sheathed air heating)
Holding Cabinet Elements (metal sheathed air heating)
Heated Well Elements — HW and HWB Series
(metal sheathed)

b) Five (5) Year Parts Warranty:

3CS and FR Tanks

c) Ten (10) Year Parts Warranty:

Electric Booster Heater Tanks
Gas Booster Heater Tanks

d) Ninety (90) Day Parts Warranty:

Replacement Parts

THE FOREGOING WARRANTIES ARE EXCLUSIVE AND IN LIEU OF ANY OTHER WARRANTY, EXPRESSED OR IMPLIED, INCLUDING BUT NOT LIMITED TO ANY IMPLIED WARRANTY OF MERCHANTABILITY OR FITNESS FOR A PARTICULAR PURPOSE OR PATENT OR OTHER INTELLECTUAL PROPERTY RIGHT INFRINGEMENT. Without limiting the generality of the foregoing, SUCH WARRANTIES DO NOT COVER: Coated incandescent light bulbs, fluorescent lights, heat lamp bulbs, coated halogen light bulbs, halogen heat lamp bulbs, xenon light bulbs, LED light tubes, glass components, and fuses; Product failure in booster tank, fin tube heat exchanger, or other water heating equipment caused by liming, sediment buildup, chemical attack, or freezing; or Product misuse, tampering or misapplication, improper installation, or application of improper voltage.

2. LIMITATION OF REMEDIES AND DAMAGES

Hatco's liability and Buyer's exclusive remedy hereunder will be limited solely to replacement of part or Product using, at Hatco's option, new or refurbished parts or Product by Hatco or a Hatco-authorized service agency with respect to any claim made within the applicable warranty period referred to above. Hatco reserves the right to accept or reject any such claim in whole or in part. In the context of this Limited Warranty, "refurbished" means a part or Product that has been returned to its original specifications by Hatco or a Hatco-authorized service agency. Hatco will not accept the return of any Product without prior written approval from Hatco, and all such approved returns shall be made at Buyer's sole expense. HATCO WILL NOT BE LIABLE, UNDER ANY CIRCUMSTANCES, FOR CONSEQUENTIAL OR INCIDENTAL DAMAGES, INCLUDING BUT NOT LIMITED TO LABOR COSTS OR LOST PROFITS RESULTING FROM THE USE OF OR INABILITY TO USE THE PRODUCTS OR FROM THE PRODUCTS BEING INCORPORATED IN OR BECOMING A COMPONENT OF ANY OTHER PRODUCT OR GOODS.

SERVICE INFORMATION

The warranty on Hatco Glo-Ray® Heated Stone Shelves is for one year from date of purchase or eighteen months from date of shipping from Hatco, whichever occurs first.

If you experience a problem with a Glo-Ray® Heated Stone Shelf during the warranty period, please do the following:

Contact Local Hatco Dealer

When contacting the Hatco dealer for service assistance, please supply the dealer with the following information to ensure prompt processing:

- Model of unit
- Serial number (located on the bottom of the unit)
- Specific problem with the unit
- Date of purchase
- Name of business
- Shipping address
- Contact name and phone number

The Hatco dealer will do the following:

- Provide replacement part(s) as required
- Submit warranty claim to Hatco for processing

Non-Warranty Problems

If you experience a non-warranty problem that requires assistance, please contact the nearest Authorized Hatco Service Agency.

To locate the nearest Service Agency:

- access our website at www.hatcocorp.com, select the *Resources* pull-down menu, and click on "Find Service Agent/Distributor"
- call Hatco Service at 414-671-6350
- e-mail Hatco Service at partsandservice@hatcocorp.com

Información Importante para el Propietario	19	Instalación	26
Introducción	19	Generalidades.....	26
Información Importante de Seguridad	20	Modelos GRSS y GRSSR	26
Descripción del Modelo	21	Modelos GRSSB.....	26
Todos los Modelos.....	21	Operación	28
Modelos GRSS	21	Generalidades.....	28
Modelos GRSSR	21	Mantenimiento	29
Modelos GRSSB.....	21	Generalidades.....	29
Denominación del Modelo	21	Limpieza diaria.....	29
Especificaciones	22	Limpieza de la superficie pétreo.....	29
Configuraciones del Enchufe.....	22	Guía de Resolución de Problemas	30
Cuadro de Clasificación Eléctrica.....	22	Opciones y Accesorios	31
Dimensiones	24	Garantía Internacional Limitada	35
		Información del Servicio de Garantía	35

INFORMACIÓN IMPORTANTE PARA EL PROPIETARIO

Anote el número de modelo, número de serie (Etiqueta de especificaciones en la parte inferior del modelo GRSS, o en la parte inferior de la caja de control de los modelos GRSSB y GRSSR), voltaje y fecha de compra de su unidad en los espacios a continuación. Por favor, tenga esta información disponible cuando llame a Hatco para recibir asistencia técnica.

Modelo No. _____

Serie No. _____

Voltaje _____


Fecha de compra _____

¡No olvide registrar su aparato!
 Registre la garantía en nuestro sitio web para evitar retrasos en la obtención de la cobertura de la garantía. Visite el sitio web de Hatco: www.hatcocorp.com, seleccione el menú desplegable "Piezas & Mantenimiento" (Parts & Service) y haga clic en "Registrar la Garantía" (Warranty Registration).

Horario de atención: 7:00 a.m. a 5:00 p.m.
 Horario de la zona central
 (Horario de verano: junio a septiembre
 7:00 a.m. a 5:00 p.m. horario de la zona central, lunes a jueves
 7:00 a.m. a 4:00 p.m. horario de la zona central, viernes)

Teléfono: 414-671-6350
 Correo Electrónico: partsandservice@hatcocorp.com
 Fax: 414-671-3976 (Piezas y servicio)

Puede encontrar información adicional si visita nuestro sitio Web en www.hatcocorp.com.



Desecho correcto de este producto
 Esta marca indica que este producto y sus componentes electrónicos no deben desecharse con otros residuos comerciales. Para evitar posibles daños al medio ambiente o a la salud humana debido al desecho no controlado de residuos, recicle en forma responsable para promover el reuso sustentable de los recursos materiales. Para desechos este producto y sus componentes electrónicos, comuníquese con el proveedor en donde compró el producto para conocer las normas de reciclaje ambiental seguro.

INTRODUCCIÓN

El Estante pétreo calentado Glo-Ray® de Hatco está diseñado para mantener calientes los alimentos preparados y al mismo tiempo integrarse con su decoración. Los estantes pétreos calentados mantendrán todos los alimentos a una temperatura óptima para servir, sin afectar la calidad. Estos calentadores tienen una base con calor controlado termostáticamente para prolongar el tiempo en que se puede mantener la mayoría de los alimentos.

Los Estantes pétreos calentados Glo-Ray son productos que cuentan con amplias pruebas de campo e investigación. Los materiales utilizados se seleccionaron por su máxima durabilidad, apariencia atractiva y rendimiento óptimo. Cada unidad se inspecciona y prueba minuciosamente antes de salir al mercado.

Este manual contiene las instrucciones de instalación, seguridad y uso del Estante pétreo calentado Glo-Ray. Hatco recomienda que se lean todas las instrucciones de instalación, uso y seguridad que se encuentran en este manual antes de instalar o usar una unidad.

La información de seguridad que aparece en este manual se identifica a través de los siguientes paneles con señales y palabras:

 **ADVERTENCIA**

ADVERTENCIA indica una situación peligrosa que, en caso de no evitarse, puede resultar en lesiones graves e incluso la muerte.

 **ATENCIÓN**

ATENCIÓN indica una situación peligrosa que, en caso de no evitarse, puede resultar en lesiones menores o moderadas.

AVISO

AVISO se usa para abordar prácticas que no están relacionadas con lesiones personales.



Lea la siguiente importante información de seguridad para evitar lesiones personales o la muerte, y para evitar daños al equipo o la propiedad.

ADVERTENCIA

PELIGRO DE DESCARGA ELÉCTRICA:

- Enchufe la unidad a un tomacorriente adecuadamente conectado a tierra del voltaje, tamaño y configuración del enchufe correctos. Si el enchufe y el tomacorriente no coinciden, comuníquese con un electricista calificado para determinar e instalar el voltaje y el tamaño de tomacorriente correctos.
- La carcasa del control de montaje remoto debe montarse sobre una pared vertical e instalarse en posición vertical. El montaje de la carcasa del control en posición horizontal puede ocasionar la recolección de líquidos y provocar una descarga eléctrica.
- Antes de realizar cualquier tipo de limpieza, ajuste o mantenimiento, APAGUE el interruptor, desenchufe el cable de alimentación y deje que la unidad se enfríe.
- NO sumerja ni sature la unidad con agua. La unidad no es impermeable. No opere la unidad si ésta se sumergió o saturó con agua.
- La unidad no es a prueba de intemperie. Coloque la unidad en interiores donde la temperatura del aire ambiente sea de un mínimo de 21°C (70°F).
- No limpie con vapor ni use agua en exceso en la unidad.
- Esta unidad no tiene una construcción "a prueba de chorros". No use un pulverizador de limpieza a chorro para limpiar la unidad.
- No tire la unidad por el cable de alimentación.
- No use la unidad si el cable de alimentación está deshilachado o desgastado.
- No intente reparar ni reemplazar un cable de alimentación dañado. El cable deberá reemplazarlo Hatco, un agente de servicio Hatco autorizado o una persona con calificaciones similares.
- No limpie la unidad cuando esté energizada o caliente.
- Use sólo repuestos Hatco originales cuando se necesite realizar mantenimiento. En caso de no utilizarse repuestos Hatco originales, se anularán todas las garantías y se puede someter a los operadores del equipo a voltajes eléctricos peligrosos, dando como resultado descargas eléctricas o quemaduras. Los repuestos Hatco originales están especificados para operar en forma segura en los entornos en los que se usan. Los repuestos de mercado secundario o genéricos no cuentan con las características que les permiten operar en forma segura en los equipos Hatco.

RIESGO DE INCENDIO: Coloque la unidad a un mínimo de 25 mm de paredes y materiales que sean combustibles. Si no se mantienen las distancias seguras, podría provocarse combustión o decoloración.

Esta unidad no debe ser utilizada por niños o personas con capacidades físicas, sensoriales o mentales disminuidas. Asegúrese de los niños están supervisados y manténgalos alejados de la unidad.

Asegúrese de que los usuarios de esta unidad han recibido la formación necesaria para garantizar el manejo de esta unidad de forma segura y apropiada.

Asegure que los productos alimenticios han sido calentados a la temperatura adecuada para la seguridad de los alimentos antes de colocarlos en la unidad. No calentar el producto alimenticio de forma correcta podría resultar en graves riesgos para la salud. Esta unidad es sólo de mantenimiento de productos alimenticios precalentados.

ADVERTENCIA

Esta unidad no tiene piezas a las que el usuario pueda realizar mantenimiento. Si necesita realizar mantenimiento en esta unidad, comuníquese con un agente de servicio autorizado de Hatco o con el Departamento de Servicio de Hatco al 414-671-6350; fax 414-671-3976.

ATENCIÓN

PELIGRO DE QUEMADURAS: Algunas superficies exteriores de la unidad se calientan. Tenga precaución al tocar estas áreas.

Coloque la unidad a la altura correcta del mesón en un área que sea cómoda para su uso. La ubicación debe estar nivelada para evitar que la unidad o su contenido caigan accidentalmente y ser lo suficientemente firme para soportar el peso de la unidad y el contenido.

Nunca opere modelos integrados si el anillo de montaje de ajuste y la caja de control no se han instalado como se indica en las instrucciones de instalación.

La National Sanitation Foundation (NSF) requiere que las unidades con un ancho mayor de 914 mm (36") o que pesen más de 36 kg (80 libras) se sellen o queden separadas de la superficie de instalación. Si la unidad no se puede sellar en el lugar de uso, se incluyen unas patas de 102 mm (4") que dejan un espacio adecuado para permitir la limpieza debajo de la unidad.

Asegúrese de limpiar y desinfectar los estantes pétreos calentados correctamente antes de utilizar abrasivos para limpiar profundamente la superficie y antes de colocar productos alimenticios sobre la unidad.

AVISO

La unidad está diseñada para ser usada en o sobre mostradores metálicos y se recomienda respetar esas indicaciones de diseño. La garantía de Hatco no cubre los daños de materiales del mostrador causados por el calor que generan los equipos Hatco. Consulte al fabricante para saber qué material es adecuado para temperaturas sostenidas de hasta 93 °C (200 °F).

Las unidades integradas no deben tener un punto de ajuste de temperatura superior a los 93 °C (200 °F). La temperatura que supere los 93 °C (200 °F) dañará la unidad y anulará la garantía.

No coloque la unidad sobre el lado del panel de control o podrían producirse daños en la unidad.

Utilice únicamente paños y productos de limpieza no abrasivos. Los paños o productos de limpieza abrasivos podrían rayar el acabado de la unidad, lo que podría deteriorar su apariencia y hacerla susceptible de acumular suciedad.

No arrastre ni deslice la unidad cuando la esté moviendo o instalando. Eleve la unidad con cuidado para evitar que se rompan las patas de goma.

No modifique el cableado ni corte el cable capilar del termostato en la caja de control para aumentar la distancia de montaje remoto. Si corta el cable capilar del termostato, la unidad se recalentará y dañará, así como también el mostrador circundante.

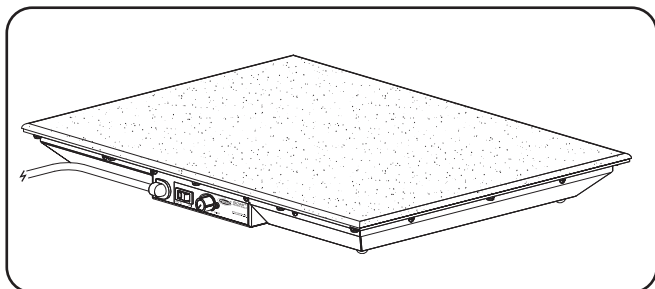
Si el peso sobre los estantes supera los 23 kg (50 libras), es posible que se produzca una desviación de 4 mm (5/32"). Si el peso sobre los estantes supera los 45 kg (100 libras), es posible que se produzca una desviación de 6 mm (1/4"). El estante no queda garantizado si el peso sobre el mismo supera los 68 kg (150 libras). El peso total se debe distribuir uniformemente sobre todo el estante.

Todos los Modelos

Todos los estantes térmicos de piedra de Hatco son ideales para áreas de acceso, líneas de bufés y exhibidores de entremeses. El estante pétreo calentado exclusivo está construido con una superficie sólida que simula ser de piedra y está disponible en varios colores. El equipo estándar incluye un conmutador oscilante de encendido/apagado iluminado, una superficie de piedra termostáticamente controlada y una base de acero pintada. Los estantes térmicos de piedra soportan un intervalo de temperatura de 38 a 93 °C (de 100 a 200 °F).

Modelos GRSS

El estante térmico de piedra GRSS es un estante portátil que incluye un cordón eléctrico de 1829 mm (6') y un enchufe. La unidad portátil está disponible en seis modelos: GRSS-2418, GRSS-3018, GRSS-3618, GRSS-4818, GRSS-6018 y GRSS-7218.

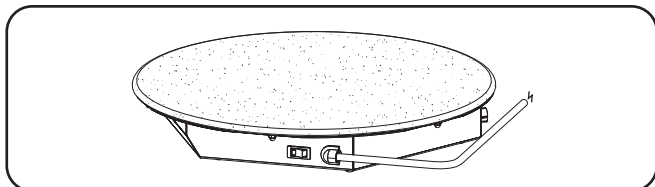


Model GRSS

GRSSR Models

El GRSSR climatizada Stone Continental es portátil ronda continental con un adjunto 1829 mm (6') cordón y enchufe.

La unidad portátil está disponible en tres modelos: GRSSR-16, GRSSR-18 y GRSSR-20.

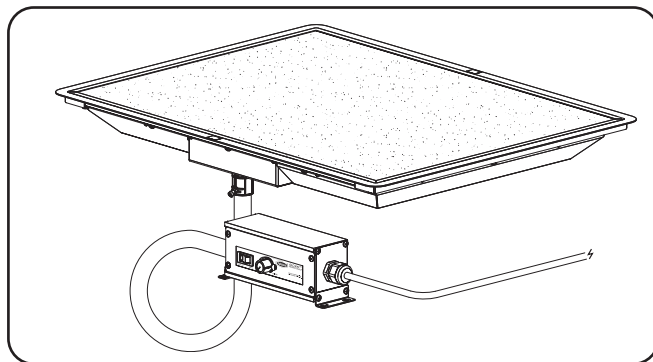


Model GRSSR

GRSSB Models

El estante térmico de piedra GRSSB es una unidad empotrada que viene equipada con un bastidor de montaje en el borde. La unidad incluye una caja de control remoto que está conectada a un conducto de 914 mm (3') Un cordón eléctrico de 1829 mm (6') conecta la caja del control remoto con la fuente de alimentación eléctrica.

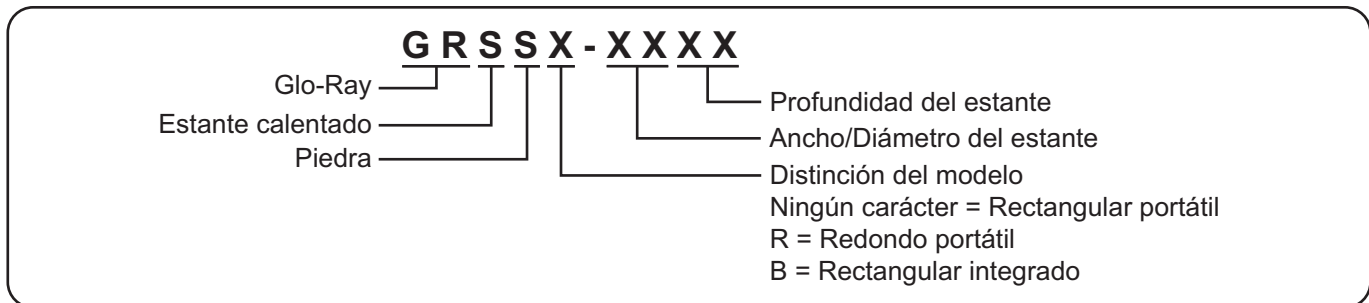
El construido-en unidades están disponibles en seis modelos: GRSSB-2418, GRSSB-3018, GRSSB-3618, GRSSB-4818, GRSSB-6018 y GRSSB-7218.



Model GRSSB

NOTA: Consulte la sección OPCIONES Y ACCESORIOS incluida en este manual para conocer las opciones y los accesorios disponibles.

DENOMINACIÓN DEL MODELO



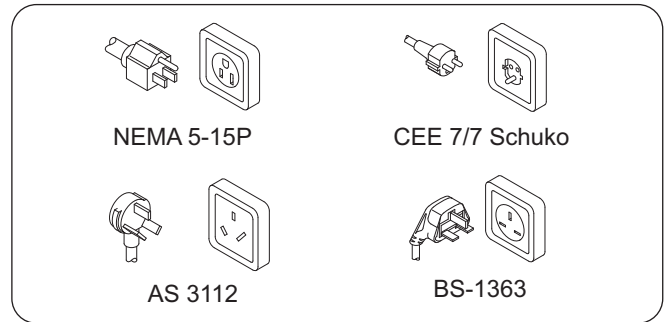
Configuraciones del Enchufe

Las unidades salen de fábrica con un cable eléctrico y un enchufe instalados. Los enchufes se suministran de acuerdo con las aplicaciones.

ADVERTENCIA

PELIGRO DE DESCARGA ELÉCTRICA: Enchufe la unidad a un tomacorriente adecuadamente conectado a tierra del voltaje, tamaño y configuración del enchufe correctos. Si el enchufe y el tomacorriente no coinciden, comuníquese con un electricista calificado para determinar e instalar el voltaje y el tamaño de tomacorriente correctos.

NOTA: Etiqueta de especificaciones en la parte inferior del modelo GRSS, o en la parte inferior de la caja de control de los modelos GRSSB y GRSSR. Consulte la etiqueta para ver el número de serie y la verificación de la información eléctrica de la unidad.



Configuraciones del Enchufe

NOTA: Hatco no proporciona el tomacorriente.

Cuadro de Clasificación Eléctrica — Modelos GRSS

Modelo	Voltaje	Vatios	Amperios	Configuraciones del Enchufe	Peso de Envío
GRSS-2418	120	635	5.3	NEMA 5-15P	12 kg (27 lbs.)
	220-230 (CE)	534-583	2.4-2.5	CEE 7/7 Schuko	12 kg (27 lbs.)
	230-240 (CE)	583-635	2.5-2.6	BS-1363	12 kg (27 lbs.)
GRSS-3018	120	780	6.5	NEMA 5-15P	14 kg (30 lbs.)
	220-230 (CE)	655-716	3.0-3.1	CEE 7/7 Schuko	14 kg (30 lbs.)
	230-240 (CE)	716-780	3.1-3.3	BS-1363	14 kg (30 lbs.)
GRSS-3618	120	930	7.8	NEMA 5-15P	16 kg (35 lbs.)
	220-230 (CE)	782-854	3.6-3.7	CEE 7/7 Schuko	16 kg (35 lbs.)
	230-240 (CE)	854-930	3.7-3.9	BS-1363	16 kg (35 lbs.)
GRSS-4818	120	1270	10.6	NEMA 5-15P	20 kg (45 lbs.)
	220-230 (CE)	1068-1166	4.8-5.0	CEE 7/7 Schuko	20 kg (45 lbs.)
	230-240 (CE)	1166-1270	5.0-5.2	BS-1363	20 kg (45 lbs.)
GRSS-6018	120	1560	13.0	NEMA 5-20P	25 kg (56 lbs.)
	220-230 (CE)	1310-1432	6.0-6.2	CEE 7/7 Schuko	25 kg (56 lbs.)
	230-240 (CE)	1432-1560	6.2-6.6	BS-1363	25 kg (56 lbs.)
GRSS-7218	120	1860	15.6	NEMA 5-20P	31 kg (68 lbs.)
	220-230 (CE)	1564-1708	7.2-7.4	CEE 7/7 Schuko	31 kg (68 lbs.)
	230-240 (CE)	1708-1860	7.4-7.8	BS-1363	31 kg (68 lbs.)

La información eléctrica en las áreas sombreadas se refiere **solamente a los modelos para exportación.**

NOTA: El peso de envío incluye el material de embalaje.

Cuadro de Clasificación Eléctrica — Modelos GRSSR

Modelo	Voltaje	Vatios	Amperios	Configuraciones del Enchufe	Peso de Envío
GRSSR-16	120	250	2.1	NEMA 5-15P	6 kg (14 lbs.)
	100	180	1.8	NEMA 5-15P	6 kg (14 lbs.)
	220–230 (CE)	190–220	0.8–0.9	CEE 7/7 Schuko	6 kg (14 lbs.)
	230–240 (CE)	220–250	0.9–1.0	BS-1363	6 kg (14 lbs.)
GRSSR-18	120	325	2.7	NEMA 5-15P	7 kg (16 lbs.)
	100	230	2.3	NEMA 5-15P	7 kg (16 lbs.)
	220–230 (CE)	265–295	1.2–1.3	CEE 7/7 Schuko	7 kg (16 lbs.)
	230–240 (CE)	295–325	1.3–1.4	BS-1363	7 kg (16 lbs.)
GRSSR-20	120	400	3.3	NEMA 5-20P	8 kg (18 lbs.)
	100	270	2.7	NEMA 5-15P	8 kg (18 lbs.)
	220–230 (CE)	330–370	1.5–1.6	CEE 7/7 Schuko	8 kg (18 lbs.)
	230–240 (CE)	370–400	1.6–1.7	BS-1363	8 kg (18 lbs.)

Cuadro de Clasificación Eléctrica — Modelos GRSSB

Modelo	Voltaje	Vatios	Amperios	Configuraciones del Enchufe	Peso de Envío
GRSSB-2418	120	635	5.3	NEMA 5-15P	14 kg (30 lbs.)
	220–230 (CE)	534–583	2.4–2.5	CEE 7/7 Schuko	14 kg (30 lbs.)
	230–240 (CE)	583–635	2.5–2.6	BS-1363	14 kg (30 lbs.)
GRSSB-3018	120	780	6.5	NEMA 5-15P	16 kg (35 lbs.)
	220–230 (CE)	655–716	3.0–3.1	CEE 7/7 Schuko	16 kg (35 lbs.)
	230–240 (CE)	716–780	3.1–3.3	BS-1363	16 kg (35 lbs.)
GRSSB-3618	120	930	7.8	NEMA 5-15P	18 kg (40 lbs.)
	220–230 (CE)	782–854	3.6–3.7	CEE 7/7 Schuko	18 kg (40 lbs.)
	230–240 (CE)	854–930	3.7–3.9	BS-1363	18 kg (40 lbs.)
GRSSB-4818	120	1270	10.6	NEMA 5-15P	23 kg (51 lbs.)
	220–230 (CE)	1068–1166	4.8–5.0	CEE 7/7 Schuko	23 kg (51 lbs.)
	230–240 (CE)	1166–1270	5.0–5.2	BS-1363	23 kg (51 lbs.)
GRSSB-6018	120	1560	13.0	NEMA 5-20P	25 kg (56 lbs.)
	220–230 (CE)	1310–1432	6.0–6.2	CEE 7/7 Schuko	25 kg (56 lbs.)
	230–240 (CE)	1432–1560	6.2–6.6	BS-1363	25 kg (56 lbs.)
GRSSB-7218	120	1860	15.6	NEMA 5-20P	32 kg (70 lbs.)
	220–230 (CE)	1564–1708	7.2–7.4	CEE 7/7 Schuko	32 kg (70 lbs.)
	230–240 (CE)	1708–1860	7.4–7.8	BS-1363	32 kg (70 lbs.)

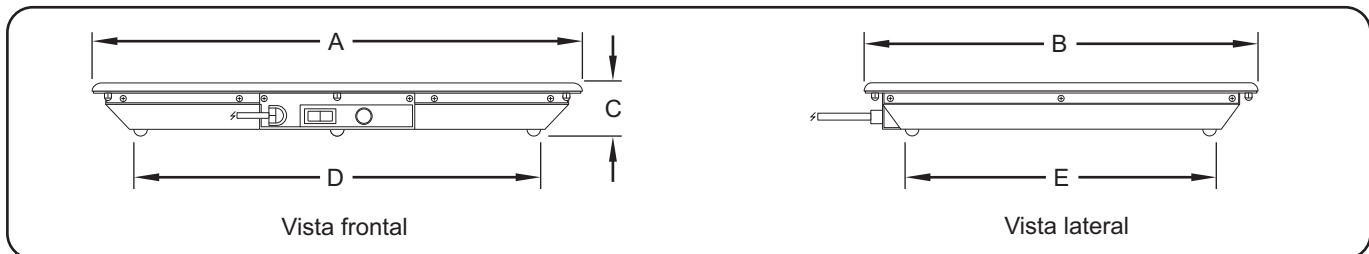
La información eléctrica en las áreas sombreadas se refiere **solamente a los modelos para exportación**.

NOTA: El peso de envío incluye el material de embalaje.

Dimensiones — Series GRSS

Modelo	Ancho (A)	Profundidad (B)	Altura (C)	Ancho de las patas (D)	Profundidad de las patas (E)
GRSS-2418	610 mm (24")	457 mm (18")	64 mm (2-1/2")	502 mm (19-3/4")	349 mm (13-3/4")
GRSS-3018	762 mm (30")	457 mm (18")	64 mm (2-1/2")	654 mm (25-3/4")	349 mm (13-3/4")
GRSS-3618	914 mm (36")	457 mm (18")	64 mm (2-1/2")	806 mm (31-3/4")	349 mm (13-3/4")
GRSS-4818*	1220 mm (48")	457 mm (18")	159 mm (6-1/4")	1086 mm (42-3/4")	324 mm (12-3/4")
GRSS-6018*	1524 mm (60")	457 mm (18")	159 mm (6-1/4")	1391 mm (54-3/4")	324 mm (12-3/4")
GRSS-7218*	1828 mm (72")	457 mm (18")	159 mm (6-1/4")	1695 mm (66-3/4")	324 mm (12-3/4")

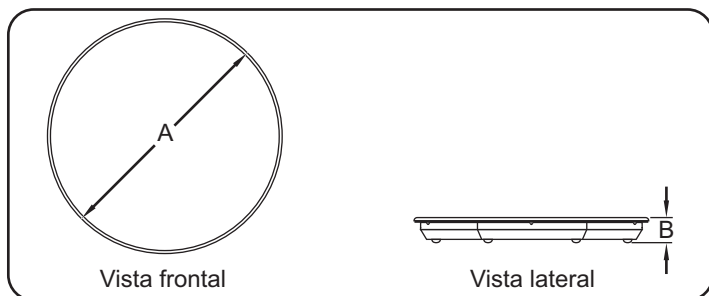
* La altura incluye las patas de 102 mm (4").



Dimensiones—Modelo GRSS

Dimensiones — Modelos GRSSR

Modelo	Diámetro (A)	Altura (B)
GRSSR-16	406 mm (16")	67 mm (2-5/8")
GRSSR-18	457 mm (18")	67 mm (2-5/8")
GRSSR-20	508 mm (20")	67 mm (2-5/8")



Dimensiones—Modelo GRSSR

Dimensiones — Modelos GRSSB

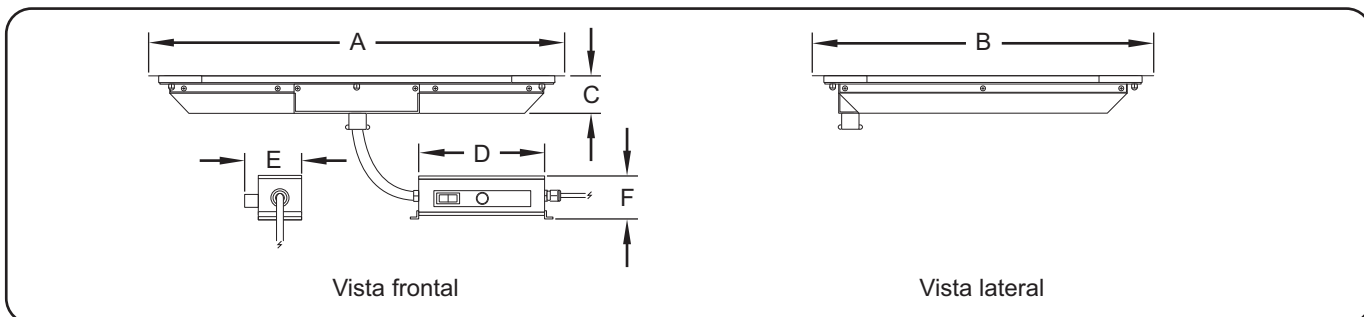
Modelo	Ancho (A)	Profundidad (B)	Altura (C)
GRSSB-2418	651 mm (25-5/8")	498 mm (19-5/8")	57 mm (2-1/4")
GRSSB-3018	803 mm (31-5/8")	498 mm (19-5/8")	57 mm (2-1/4")
GRSSB-3618	956 mm (37-5/8")	498 mm (19-5/8")	57 mm (2-1/4")
GRSSB-4818	1260 mm (49-5/8")	498 mm (19-5/8")	57 mm (2-1/4")
GRSSB-6018	1565 mm (61-5/8")	498 mm (19-5/8")	57 mm (2-1/4")
GRSSB-7218	1870 mm (73-5/8")	498 mm (19-5/8")	57 mm (2-1/4")

	Ancho (D)	Profundidad (E)	Altura (F)
Caja remota (estándar)	178 mm (7")	76 mm (3")	83 mm (3-1/4")

NOTA: Consulte la sección OPCIONES Y ACCESORIOS para obtener información de las dimensiones para las carcasas del control de montaje remoto al ras.

AVISO

Consulte la sección de instalación de este manual para conocer las dimensiones reales de recorte del mostrador.



Dimensiones—Modelo GRSSB

Generalidades

Use los siguientes procedimientos para instalar las unidades GRSS, GRSSR y GRSSB.

ADVERTENCIA

PELIGRO DE DESCARGA ELÉCTRICA: La unidad no es a prueba de intemperie. Coloque la unidad en interiores donde la temperatura del aire ambiente sea de un mínimo de 21° C (70° F).

RIESGO DE INCENDIO: Coloque la unidad a un mínimo de 25 mm de paredes y materiales que sean combustibles. Si no se mantienen las distancias seguras, podría provocarse combustión o decoloración.

ATENCIÓN

Coloque la unidad a la altura correcta del mesón en un área que sea cómoda para su uso. La ubicación debe estar nivelada para evitar que la unidad o su contenido caigan accidentalmente y ser lo suficientemente firme para soportar el peso de la unidad y el contenido.

La National Sanitation Foundation (NSF) requiere que las unidades con un ancho mayor de 914 mm (36") o que pesen más de 36 kg (80 libras) se sellen o queden separadas de la superficie de instalación. Si la unidad no se puede sellar en el lugar de uso, se incluyen unas patas de 102 mm (4") que dejan un espacio adecuado para permitir la limpieza debajo de la unidad.

AVISO

No coloque la unidad sobre el lado del panel de control o podrían producirse daños en la unidad.

Modelos GRSS y GRSSR

1. Retire la unidad de la caja.
2. Quite la cinta y el material de embalaje de todas las superficies de la unidad.

NOTA: A fin de evitar demoras para obtener la cobertura de garantía, complete el registro de la garantía en línea. Consulte la sección INFORMACIÓN IMPORTANTE PARA EL PROPIETARIO para obtener detalles.

NOTA: Si se requieren patas de 102 mm (4"), diríjase a la sección Opciones y ACCESORIOS de este manual para ver instrucciones de colocación. Las patas de 102 mm (4") se incluyen con los modelos de un ancho mayor a 914 mm (36").

3. Coloque la unidad en la ubicación que desea.
 - Coloque la unidad en una zona en la cual la temperatura ambiente sea constante y no sea inferior a 21 °C (70°F). Evite áreas que puedan ser propensas a circulación de aire o corrientes de aire activas (es decir, cerca de extractores o campanas de extracción y conductos de aire acondicionado).
 - Asegúrese de que la unidad está a la altura correcta del mesón en un área cómoda para su uso.
 - Asegúrese de que la superficie del mesón esté a nivel y sea lo suficientemente firme para soportar el peso de la unidad y los alimentos.

- Asegúrese de que todas las patas de la parte inferior de la unidad se ubiquen en forma segura sobre la superficie del mesón.

4. Instale los accesorios que vinieron con la unidad, si los hay. Consulte la sección OPCIONES Y Accesorios para conocer los detalles.

Modelos GRSSB

1. Saque la unidad de la caja.

NOTA: A fin de evitar demoras para obtener la cobertura de garantía, complete el registro de la garantía en línea. Consulte la sección INFORMACIÓN IMPORTANTE PARA EL PROPIETARIO para obtener detalles.

2. Quite la cinta y el material de embalaje de todas las superficies de la unidad.

AVISO

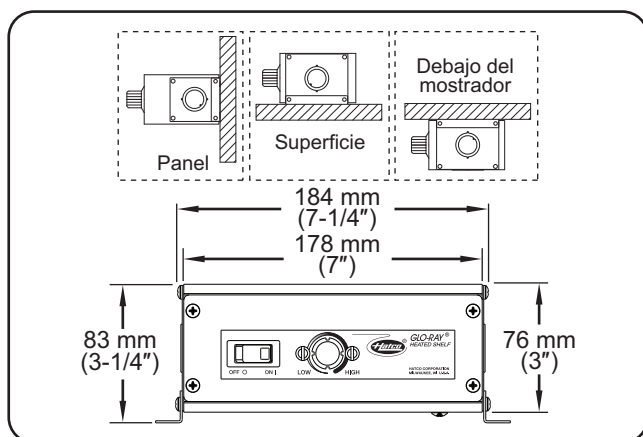
La garantía de Hatco no cubre los daños de materiales del mesón causados por el calor que generan los equipos Hatco. Póngase en contacto con el fabricante del material de la cubierta para obtener información sobre la aplicación.

3. Prepare la abertura de la superficie del gabinete. Consulte la "Tabla de recorte del mostrador GRSSB" en esta sección para obtener las dimensiones recomendadas de recorte del mostrador.
4. Aplique un cordón de un sellador aprobado por NSF (National Sanitation Foundation) en el borde superior del corte de la superficie del gabinete y en la parte inferior del bastidor de montaje en el borde. El sellador debe estar aprobado para su uso a una temperatura mínima de 121 °C (250 °F).
5. Coloque la GRSSB unidad en la encimera apertura.
6. Elimine el exceso de sellador.
7. Ubique el conjunto de la caja del control remoto en un área que sea conveniente para su operación. Si así lo deseara o fuese necesario, la caja de control se puede montar en una ubicación semi remota.

- Quite la caja de control de la parte inferior de la unidad.
- Si fuese necesario, retire los soportes terminales de la caja de control, gírelos para modificar su posición y vuélvalos a ajustar.
- La caja de control puede montarse sobre un panel o una superficie, debajo del mostrador.
- La distancia a la que la caja de control puede montarse de la unidad está determinada por el conducto de 914 mm (3') (las longitudes opcionales de conductos de 1829 mm [6'] y 3048 mm [10'] también están disponibles con controles electrónicos). No coloque el conducto de forma tirante para aumentar la distancia de montaje. El conducto debe tener un poco de holgura luego de montar la caja de control.

NOTA: La caja de control remoto se debe montar con un tornillo cuya cabeza tenga un diámetro mínimo de 6 mm (1/4") utilizando los orificios tipo cerradura que se encuentran en los soportes de montaje. La caja de control remoto no se monta permanentemente, se puede quitar fácilmente.

...continuación



Opciones de montaje de la caja de control

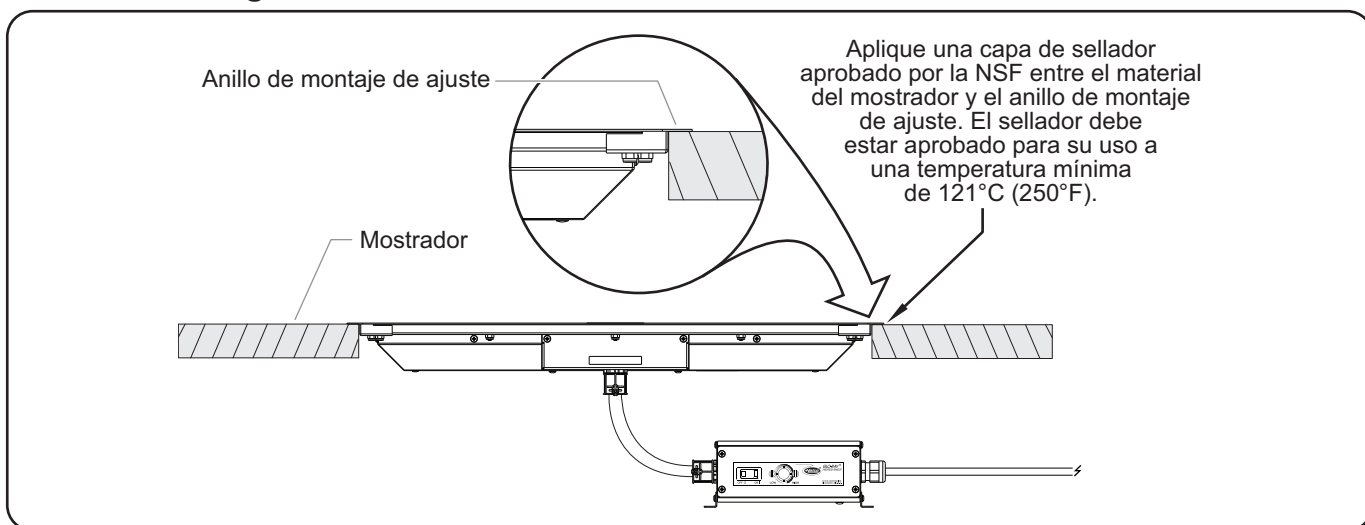
AVISO

No modifique el cableado ni corte el cable capilar del termostato en la caja de control para aumentar la distancia de montaje remoto. Si corta el cable capilar del termostato, la unidad se recalentará y dañará, así como también el mostrador circundante.

8. Una vez que fije todos los componentes, continúe con la sección FUNCIONAMIENTO.

NOTA: Se proporciona un cordón eléctrico de 1829 mm (6') con este electrodoméstico; el exceso de cordón se debe acomodar para que no cuelgue.

Instalación integrada de la unidad GRSSB



Instalación integrada de la unidad GRSSB

Tabla de recorte del mostrador GRSSB

Modelo	Ancho	Profundidad
GRSSB-2418	625 mm (24-5/8") – 632 mm (24-7/8")	473 mm (18-5/8") – 479 mm (18-7/8")
GRSSB-3018	778 mm (30-5/8") – 784 mm (30-7/8")	473 mm (18-5/8") – 479 mm (18-7/8")
GRSSB-3618	930 mm (36-5/8") – 937 mm (36-7/8")	473 mm (18-5/8") – 479 mm (18-7/8")
GRSSB-4818	1235 mm (48-5/8") – 1241 mm (48-7/8")	473 mm (18-5/8") – 479 mm (18-7/8")
GRSSB-6018	1540 mm (60-5/8") – 1546 mm (60-7/8")	473 mm (18-5/8") – 479 mm (18-7/8")
GRSSB-7218	1845 mm (72-5/8") – 1851 mm (72-7/8")	473 mm (18-5/8") – 479 mm (18-7/8")

Generalidades

Use los siguientes procedimientos para encender y operar las unidades GRSS, GRSSR y GRSSB.

ADVERTENCIA

Lea todos los mensajes de seguridad de la sección Información de seguridad importante antes de operar el equipo.

Encendido

1. Limpie y desinfecte las superficies pétreas con un paño limpio y húmedo y un desinfectante aprobado para superficies de contacto con alimentos.
2. Enchufe la unidad en la toma de corriente eléctrica, apropiadamente conectada a tierra, con la configuración de tensión, tamaño y enchufe correctos. Vea la sección ESPECIFICACIONES para detalles.
3. Mueva el interruptor de alimentación I/O (encendido/apagado) a la posición I (encendido).

ATENCIÓN

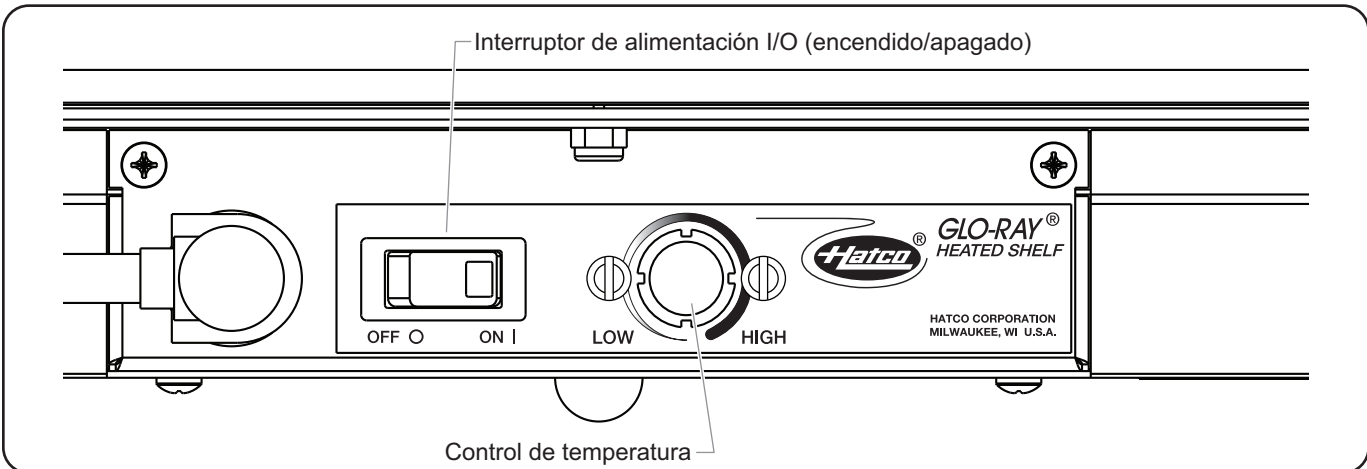
PELIGRO DE QUEMADURAS: Algunas superficies exteriores de la unidad se calientan. Tenga precaución al tocar estas áreas.

4. Coloque el termostato en el ajuste de temperatura deseado.
 - Girar la perilla del control de temperatura en sentido horario incrementará la configuración de temperatura. Girar la perilla del control de temperatura en sentido anti horario disminuirá la configuración de temperatura.
5. Permita 30 minutos para que la unidad alcance la temperatura de operación.

NOTA: Consulte la sección OPCIONES Y ACCESORIOS para obtener información de instalación y funcionamiento de las unidades GRSSB equipadas con un panel de control de montaje remoto al ras.

AVISO

Si el peso sobre los estantes supera los 23 kg (50 libras), es posible que se produzca una desviación de 4 mm (5/32"). Si el peso sobre los estantes supera los 45 kg (100 libras), es posible que se produzca una desviación de 6 mm (1/4"). El estante no queda garantizado si el peso sobre el mismo supera los 68 kg (150 libras). El peso total se debe distribuir uniformemente sobre todo el estante.



Panel de control estándar — Modelo GRSS

Generalidades

Los Estantes pétreos calentados Glo-Ray® de Hatco están diseñados para obtener la máxima durabilidad y un óptimo rendimiento, con un mantenimiento mínimo.

ADVERTENCIA

PELIGRO DE DESCARGA ELÉCTRICA:

- Antes de realizar cualquier tipo de limpieza, ajuste o mantenimiento, **APAGUE** el interruptor, desenchufe el cable de alimentación y deje que la unidad se enfríe.
- **NO** sumerja ni sature la unidad con agua. La unidad no es impermeable. No opere la unidad si ésta se sumergió o saturó con agua.
- No limpie con vapor ni use agua en exceso en la unidad.
- No limpie la unidad cuando esté energizada o caliente.

Esta unidad no tiene piezas a las que el usuario pueda realizar mantenimiento. Si necesita realizar mantenimiento en esta unidad, comuníquese con un agente de servicio autorizado de Hatco o con el Departamento de Servicio de Hatco al 414-671-6350; fax 414-671-3976.

Limpeza diaria

Se recomienda que la unidad se limpie diariamente para preservar el acabado de la unidad así como para mantener su rendimiento.

AVISO

Utilice únicamente paños y productos de limpieza no abrasivos. Los paños o productos de limpieza abrasivos podrían rayar el acabado de la unidad, lo que podría deteriorar su apariencia y hacerla susceptible de acumular suciedad.

1. Antes de encender la unidad todos los días, limpie y desinfecte las superficies pétreas con un paño limpio y húmedo y un desinfectante aprobado para superficie de contacto con alimentos. Si fuera necesaria una limpieza adicional, consulte la información "Limpeza de la superficie pétrea" que se encuentra en esta sección.
2. Al final de cada día:
 - a. Apague la unidad y permita que se enfríe.
 - b. Limpie todas las superficies metálicas con un paño limpio, húmedo y no abrasivo.
 - c. Limpie y desinfecte las superficies pétreas con un paño limpio y húmedo y un desinfectante aprobado para superficies de contacto con alimentos. Si fuera necesaria una limpieza adicional, consulte la información "Limpeza de la superficie pétrea" que se encuentra en esta sección.

NOTE: Para corregir manchas o decoloración desigual, consulte la información "Limpeza de la superficie pétrea" que se encuentra en esta sección.

- d. Seque la unidad con un paño limpio y no abrasivo.

Limpeza de la superficie pétrea

El uso correcto de los productos enumerados a continuación no dañará la superficie pétrea (siga las instrucciones que se encuentran en las etiquetas del producto).

NOTA: Las superficies pétreas son superficies sólidas que simulan ser de piedra.

ATENCIÓN

Asegúrese de limpiar y desinfectar los estantes pétreos calentados correctamente antes de utilizar abrasivos para limpiar profundamente la superficie y antes de colocar productos alimenticios sobre la unidad.

Manchas difíciles de quitar

Para manchas difíciles de quitar, utilice la esponja abrasiva que se proporciona junto con un limpiador abrasivo como Ajax®, Comet®, Bon Ami®, o Bar Keeper's Friend®. Hay esponjas abrasivas disponibles de Hatco (P/N 04.39.049.00). **AVISO:** Utilice la esponja abrasiva suministrada únicamente sobre la superficie pétrea.

NOTA: No utilice esponjas de acero o metálicas.

Manchas de minerales

Para manchas de minerales, se recomienda usar limpiadores diseñados para quitar hierro u óxido que no dañarán la superficie pétrea.

Rayones

Para los rayones, use papel de lija; comience con el más áspero y termine con el más fino hasta que desaparezca el rayón. Difume el área con la esponja abrasiva que se proporciona.

⚠ ADVERTENCIA

Sólo personal calificado debe realizar mantenimiento a la unidad. El mantenimiento realizado por personal no calificado puede causar descargas eléctricas o quemaduras.

⚠ ADVERTENCIA

Peligro de descarga eléctrica: Antes de realizar cualquier tipo de limpieza, ajuste o mantenimiento, APAGUE el interruptor, desenchufe el cable de alimentación y deje que la unidad se enfríe.

Síntoma	Causa Probable	Acción Correctiva
Unidad demasiado caliente.	Ajuste del control de temperatura demasiado alto.	Cambie el ajuste de temperatura a un valor menor.
	Unidad enchufada en fuente de alimentación incorrecta.	Verifique con personal cualificado que la fuente de alimentación corresponde a las especificaciones de la unidad.
	Control de temperatura defectuoso.	Póngase en contacto con un agente de servicio autorizado.
Unidad no suficientemente caliente.	Ajuste del control de temperatura demasiado bajo.	Cambie el ajuste de temperatura a un valor superior.
	Ubicación de unidad susceptible a corrientes de aire (conductos de aire acondicionado o extractores).	Bloquee las corrientes de aire o reubique la unidad.
La unidad no funciona.	Unidad no enchufada.	Enchufe la unidad en la fuente de alimentación correcta.
	Unidad no encendida.	Mueva el interruptor de alimentación I/O a la posición I (encendido).
	Interruptor de alimentación I/O (encendido/apagado) defectuoso.	Póngase en contacto con un agente de servicio autorizado.
	Control de temperatura defectuoso.	Póngase en contacto con un agente de servicio autorizado.
	Elemento de calentamiento de base fundido.	Póngase en contacto con un agente de servicio autorizado.
El material de la base pétreo está manchado, decolorado o tiene manchas o decoloraciones desiguales.	La superficie pétreo no se ha limpiado correctamente.	Limpie la superficie siguiendo las instrucciones de "Limpieza de la superficie pétreo" de la sección MANTENIMIENTO de este manual. Si estos métodos no producen resultados aceptables, póngase en contacto con Hatco para obtener ayuda.
El estante se está doblando.	Demasiado peso sobre el estante.	Distribuya el peso uniformemente sobre todo el estante. Si el peso sobre el estante supera los 23 kg (50 libras), es posible que se produzca una desviación de 4 mm (5/32"). Si el peso sobre el estante supera los 45 kg (100 libras), es posible que se produzca una desviación de 6 mm (1/4"). El estante no queda garantizado si el peso sobre el mismo supera los 68 kg (150 libras).

¿Tiene preguntas sobre cómo resolver un problema?

Si no logra resolver un problema, póngase en contacto con el agente de servicio autorizado de Hatco más cercano para obtener ayuda. Para encontrar al agente de servicio más cercano, inicie sesión en el sitio web de Hatco en www.hatcocorp.com y haga clic en Find Service Agent (Encontrar un agente de servicio) o póngase en contacto con el Equipo de piezas y servicio de Hatco:

Teléfono: 414-671-6350

Correo electrónico: partsandservice@hatcocorp.com

Fax: 414-671-3976

Patas ajustables de 102 mm (4") (solo modelos GRSS)

Utilice el siguiente procedimiento para instalar las patas ajustables de 102 mm (4") en lugar de los pies de goma en una unidad GRSS.

NOTA: Las patas de 102 mm (4") se incluyen con los modelos de un ancho mayor a 914 mm (36").

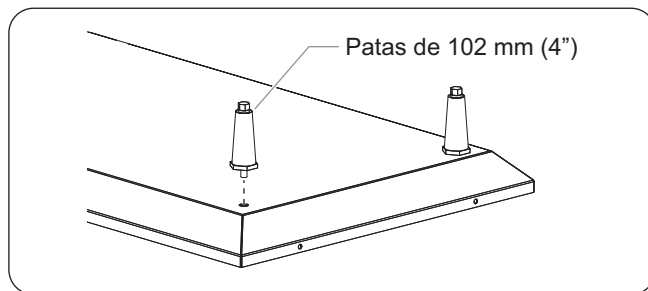
ADVERTENCIA

PELIGRO DE DESCARGA ELÉCTRICA: Antes de realizar cualquier tipo de limpieza, ajuste o mantenimiento, **APAGUE** el interruptor, desenchufe el cable de alimentación y deje que la unidad se enfríe.

AVISO

No coloque la unidad sobre el lado del panel de control o podrían producirse daños en la unidad.

1. Apague la unidad, desenchufe el cable y permita que la unidad se enfríe.
2. Con cuidado voltee la unidad boca abajo y colóquela sobre una superficie plana. Asegúrese de cubrir la superficie con algo para evitar que el vidrio se raye.
3. En cada esquina de la base, quite los tornillos de los pies y los pies de goma.



Instalación de las patas de 102 mm (4")

4. En cada esquina de la base, atornille una pata de 102 mm (4") a través de la parte inferior de la base.

NOTA: Los extremos de las patas de 102 mm (4") pueden ajustarse para nivelar la unidad. Use una llave de boca abierta de 16 mm (5/8") para realizar los ajustes de nivelación una vez que haya colocado la unidad en la posición final.

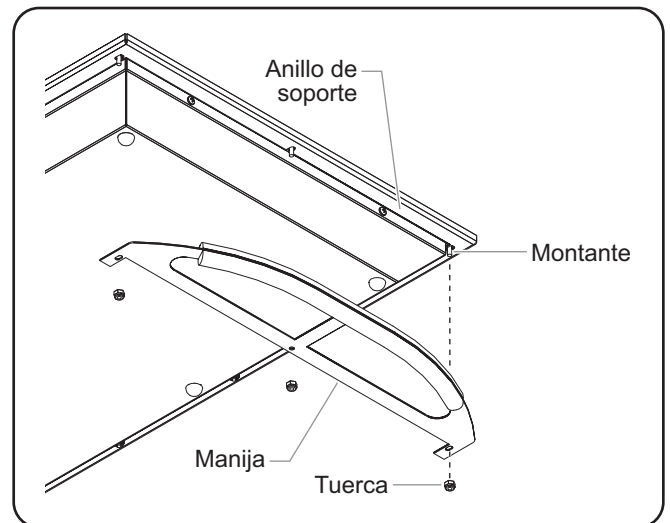
Manijas (solo modelos GRSS)

Las manijas redondeadas de diseñador de acero inoxidable revestidas en polvo negro están disponibles para los modelos GRSS.

Las manijas se instalan en cada extremo de la unidad a través del siguiente procedimiento y se pueden retroinstalar.

En cada extremo de la unidad:

1. Quite las tres tuercas ubicadas en la cara inferior del anillo de soporte de la superficie pétreo.
2. Alinee los tres orificios en la manija con los tres montantes en el anillo de soporte y coloque la manija sobre los montantes.
3. Vuelva a colocar las tres tuercas en los montantes y ajústelas firmemente.



Instalación de manija

Cubierta superior empotrada para modelos GRSSB

La cubierta superior empotrada está disponible para los modelos GRSSB. Las unidades con cubierta superior empotrada permiten que la superficie calentada se coloque debajo de la superficie del mostrador.

Tabla Para Cortar (Sólo Para la Serie GRSSR)

La tabla para cortar viene equipada con patas de caucho en la parte inferior para que se adapte directamente sobre la base.

La placa de corte está hecha del mismo material que la superficie pétrea calentada y está disponible en los mismos colores.

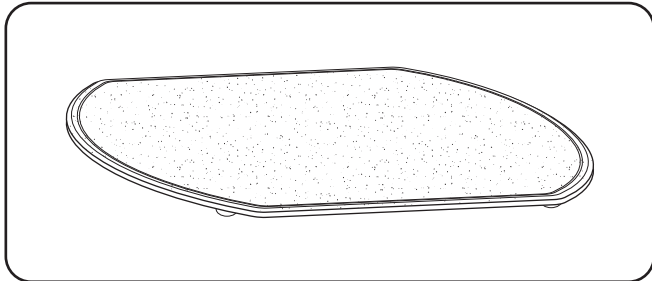
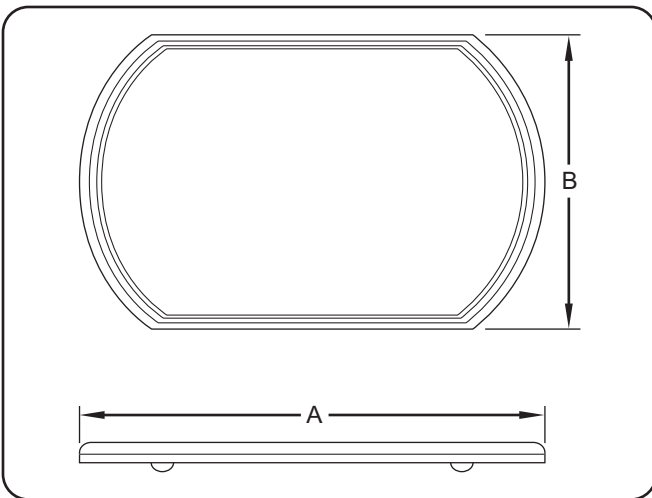


Tabla Para Cortar

Dimensiones de la placa de corte

Modelo	Ancho (A)	Profundidad (B)
GRSSR-16	432 mm (17")	298 mm (11-3/4")
GRSSR-18	483 mm (19")	349 mm (13-3/4")
GRSSR-20	533 mm (21")	400 mm (15-3/4")



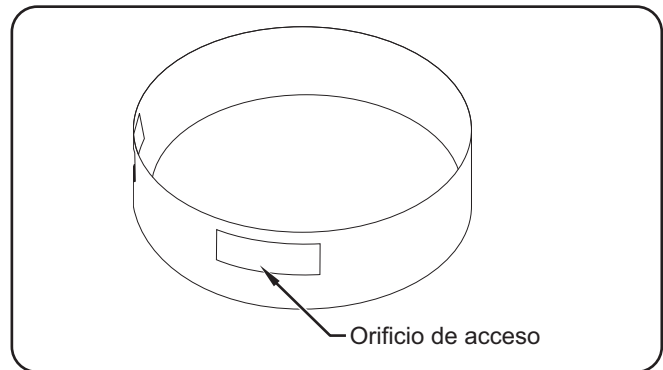
Dimensiones de la placa de corte

Apoyo elevador (solo modelos GRSSR)

Los apoyos elevadores de acero están disponibles para incrementar la altura de las unidades GRSSR. Están disponibles en alturas de 76 mm (3") y 127 mm (5") en varios colores y en acero inoxidable.

Para instalar el apoyo elevador:

1. Coloque el apoyo elevador en la ubicación deseada en el mostrador.
2. Pase el cable de alimentación de la unidad GRSSR a través de uno de los orificios de acceso en el apoyo elevador.
3. Coloque la unidad GRSSR dentro del apoyo elevador. Asegúrese de que se pueda obtener acceso a los controles a través de los orificios en el apoyo elevador.



Apoyo elevador de 127 mm (5") del modelo GRSSR

Carcasas del control de montaje remoto (solo modelos GRSSB)

Hay dos carcasas de controles de montaje remoto al ras disponibles para el modelo GRSSB: la carcasa del Control de temperatura mecánico y la carcasa del Control de temperatura digital. Ambas carcasas se instalan a través del siguiente procedimiento.

⚠ ADVERTENCIA

La carcasa del control remoto debe montarse en una pared vertical e instalarse además en posición vertical. El montaje de la carcasa del control remoto en posición horizontal puede ocasionar la recolección de líquidos y provocar una descarga eléctrica.

AVISO

Instale la carcasa del control remoto fuera de la zona de calor. Si ubica la carcasa del control dentro de la zona de calor, provocará que éste se sobrecaliente, funcione de manera defectuosa y falle.

No modifique el cableado ni corte el cable capilar del termostato en la carcasa del control para aumentar la distancia de montaje remoto. Si corta el cable capilar del termostato, la unidad se recalientará y dañará, así como también el mostrador circundante.

NOTA: Se recomienda un electricista calificado para conectar la unidad a una fuente de alimentación.

1. Prepare los orificios de corte para los tornillos y perforelos.
2. Quite la cubierta de ajuste del ensamble de la carcasa del control.
3. Coloque la carcasa de control abierta a través de la parte posterior.
4. Fije la carcasa del control a la superficie de montaje con tornillos (no provistos).
5. Conecte la fuente de alimentación adecuada a la carcasa del control de montaje remoto.
6. Vuelva a instalar la cubierta decorativa.

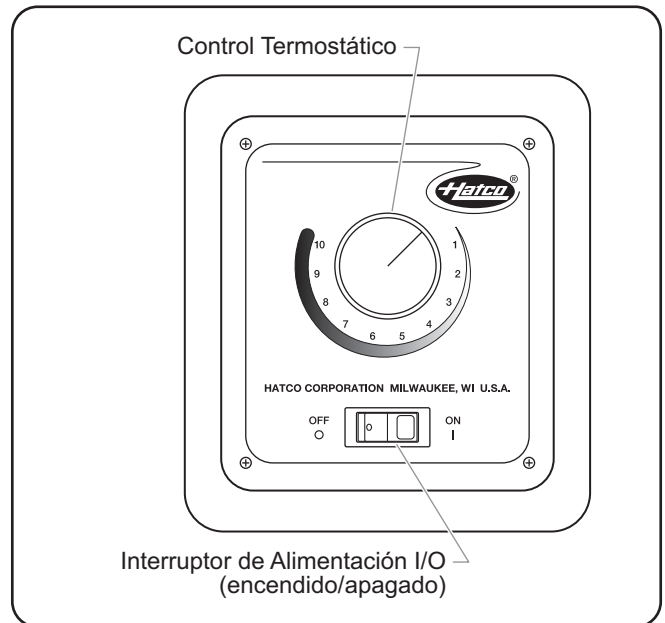
NOTA: Las unidades están equipadas con un conducto flexible de 914 mm (36") al panel de control.

Interruptor de Alimentación I/O (encendido/apagado)

Ambas carcasas de control remoto de estilo al ras están equipadas con un interruptor de alimentación I/O (encendido/apagado). Mueva el interruptor de alimentación I/O (encendido/apagado) a la posición I (encendido) para activar la unidad. La luz indicadora en el interruptor brilla cuando la unidad está encendida.

Ajuste del control termostático

Gire el control de temperatura hacia la derecha para aumentar la calibración de temperatura. Gire el control de temperatura hacia la izquierda para disminuir la calibración de temperatura.



Carcasa del control termostático

Vista Frontal del Recorte

NOTA IMPORTANTE:
Asegúrese de que la ubicación donde instalará la carcasa de control tenga suficiente espacio para las conexiones eléctricas.

Carcasa del Control de Indicación de Temperatura 4-3/4" (121 mm)

Carcasa Termostática 4" (102 mm)

Cubierta de los Componentes

Carcasa del Control

Superficie de Montaje

Vista Lateral de la Carcasa Instalada

Dimensiones de Instalación de la Carcasa del Control Remoto

Cambio del punto de ajuste de temperatura: controlador digital de temperatura

Las unidades equipadas con un controlador digital de temperatura se calentarán hasta el punto de ajuste de temperatura automáticamente cuando se enciendan. Realice el siguiente procedimiento para cambiar el punto de ajuste de temperatura.

NOTA: La temperatura que aparece en la pantalla puede ser inexacta cuando la temperatura de la unidad está por debajo de 130 °F (54 °C).

Si se interrumpe la secuencia de programación antes de completar el último paso, los valores cambiados no se aceptarán en la memoria.

1. Presione la tecla **SET** tres veces. El punto de ajuste de temperatura actual se muestra en la pantalla TEMPERATURA (aparecerá "SP" después de presionar la segunda vez).
2. Presione la tecla **▲** o la tecla **▼** durante 10 segundos para cambiar el punto de ajuste de temperatura.
3. Presione la tecla **SET** para fijar el nuevo punto de ajuste de temperatura. La pantalla TEMPERATURA quedará en blanco por dos segundos para mostrar que la nueva configuración se ha aceptado.

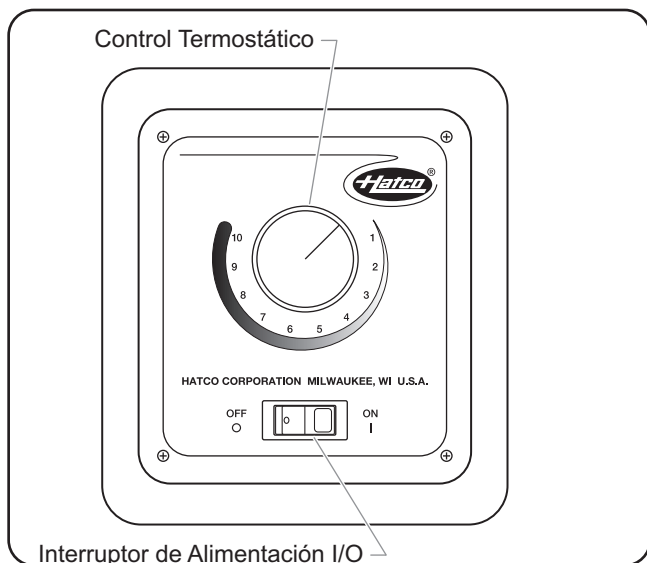
NOTA: Después de 10 segundos de inactividad durante el proceso de programación, el controlador sale del modo de programación automáticamente sin guardar ningún cambio.

Cambio de ajuste de grados Fahrenheit y Celsius: Controlador digital de temperatura

Realice el siguiente procedimiento para cambiar entre grados Fahrenheit y Celsius en la pantalla.

1. Presione la tecla **SET** una vez. Aparecerá una "F" por Fahrenheit, o una "C" por Celsius.
2. Presione la tecla **▲** o la tecla **▼** durante 10 segundos para cambiar entre "F" (Fahrenheit) y "C" (Celsius).
3. Presione la tecla **SET** tres veces para fijar el nuevo ajuste. La pantalla TEMPERATURA quedará en blanco por dos segundos para mostrar que la nueva configuración se ha aceptado.

NOTA: Después de 10 segundos de inactividad durante el proceso de programación, el controlador sale del modo de programación automáticamente sin guardar ningún cambio.



Controlador digital de temperatura

1. GARANTÍA DEL PRODUCTO

Hatco garantiza que los productos que fabrica estarán libres de defectos en los materiales, bajo condiciones normales de uso y servicio, durante un período de un (1) año a partir de la fecha de compra cuando se instalan y reciben mantenimiento de acuerdo con las instrucciones por escrito de Hatco, o por 18 meses a partir de su envío por Hatco. El comprador debe establecer la fecha de compra del producto registrando el producto con Hatco o por otros medios que Hatco considere satisfactorios a su discreción exclusiva.

Hatco garantiza que los siguientes componentes del producto están libres de defectos en materiales a partir de la fecha de compra (sujetos a las condiciones precedentes) durante los períodos de tiempo y las condiciones que figuran a continuación:

a) Garantía de Dos (2) Años para las Piezas:

Componentes de la Tostadora de Correa Transportadora (recubiertos de metal)
Resistencias de los Cajones Térmicos (recubiertos de metal)
Cajones Térmicos, rodillos del cajón y piezas deslizantes
Elementos calentadores de banda (recubiertos de metal)
Resistencias del vitrinas expositoras (calor por aire recubierto de metal)
Resistencias de vitrinas mantenedoras (calor por aire recubierto de metal)
Elementos de embalse acalorados — Series HW y HWB (recubiertos de metal)

b) Garantía de Cinco (5) Años para las Piezas:

Depósitos 3DS y FR

c) Garantía de Diez (10) Años para las Piezas:

Calentadores de agua eléctricos de refuerzo
Calentadores de agua a gas de refuerzo

d) Garantía de Noventa (90) Días para las Piezas:

Piezas de Repuesto

LAS GARANTÍAS ANTERIORES SON EXCLUSIVAS Y SUSTITUYEN A CUALQUIER OTRA GARANTÍA, EXPRESA O IMPLÍCITA, INCLUYENDO PERO SIN LIMITARSE A CUALQUIER GARANTÍA IMPLÍCITA DE COMERCIABILIDAD O ADECUACIÓN PARA UN FIN PARTICULAR O PATENTE U OTRA INFRACCIÓN DEL DERECHO DE PROPIEDAD INTELECTUAL. Sin limitar la generalidad de lo anterior, TALES GARANTÍAS NO CUBREN: Bombillas incandescentes revestidas, bombillas fluorescentes, bombillas para lámparas de calor, bombillas halógenas revestidas, bombillas halógenas para lámparas de calor, bombillas de xenón, tubos de LED, componentes de vidrio y fusibles; mal funcionamiento del Producto en los calentadores de agua, en los intercambiadores de calor de tubos aleteados o en cualquier otro equipo de calefacción de agua causado por acumulación de cal, acumulación de sedimentos, productos químicos o congelación; o por el uso indebido, manipulación, aplicación indebida, instalación deficiente o suministro de tensión eléctrica inadecuado al Producto.

2. LIMITACIÓN DE REMEDIOS Y DAÑOS

La responsabilidad de Hatco y los derechos del Comprador descritos a continuación se limitarán exclusivamente al reemplazo de la pieza o del Producto empleando, a discreción de Hatco, piezas nuevas o restauradas o un Producto nuevo o restaurado por Hatco o uno de sus centros de servicio autorizados siempre que la reclamación se haya efectuado dentro de los plazos de garantía mencionados anteriormente. Hatco se reserva el derecho a aceptar o rechazar de forma total o parcial cualquier reclamación efectuada. A efectos de la presente Garantía Limitada, se entenderá por "restaurado/a" la pieza o el Producto que haya recuperado sus especificaciones originales tras haber sido reparado/a por Hatco o por uno de sus centros de servicio autorizados. Hatco no aceptará la devolución de ningún producto sin la previa aprobación de Hatco por escrito, y en todas las devoluciones aprobadas el comprador correrá con los gastos. HATCO NO SERÁ RESPONSABLE, BAJO NINGUNA CIRCUNSTANCIA, DE DAÑOS INDIRECTOS O INCIDENTALES, INCLUYENDO PERO SIN LIMITARSE A COSTOS DE MANO DE OBRA O PÉRDIDA DE INGRESOS QUE RESULTEN DEL USO O DE LA INCAPACIDAD DE USAR EL PRODUCTO O DE QUE EL PRODUCTO SE INCORPORA A OTRO PRODUCTO O MERCANCÍA O SEA UN COMPONENTE DE DICHO PRODUCTO.

INFORMACIÓN DEL SERVICIO DE GARANTÍA

La garantía sobre los Estantes pétreos calentados Glo-Ray® de Hatco es por un año a partir de la fecha de compra o por dieciocho meses a partir de la fecha de envío desde Hatco, lo que ocurra primero.

Ante cualquier problema con un Estante pétreo calentado Glo-Ray durante el período de garantía, haga lo siguiente:

Póngase en Contacto con un Distribuidor Local de Hatco

Al comunicarse con un distribuidor de Hatco para recibir asistencia con el servicio, proporcione al distribuidor la siguiente información para asegurar un pronto procesamiento:

- Modelo de la Unidad
- Número de Serie (ubicado en la parte inferior de la unidad)
- Problema Específico con la Unidad
- Fecha de Compra
- Nombre de su Negocio
- Dirección de Envío
- Nombre de Contacto y Número de Teléfono

El distribuidor de Hatco hará lo siguiente:

- Proporcionará piezas de repuesto, según sea requerido
- Presentará un reclamo bajo la garantía a Hatco para su procesamiento

Problemas no relacionados con la garantía

Si tiene un problema no relacionado con la garantía y que requiere asistencia, póngase en contacto con el Centro de Servicio Autorizado por Hatco más cercano. Para localizar el Centro de Servicio más próximo:

- Visite el sitio web de Hatco: www.hatcocorp.com, seleccione el menú desplegable "Recursos" (Resources) y haga clic en "Localizar un Centro de Servicio/Distribuidor" (Find Service Agent/Distributor)
- Llame al número de teléfono del Servicio de Atención al Cliente de Hatco: 414-671-6350
- Mandé un e-mail al Servicio de Atención al Cliente de Hatco a la siguiente dirección: partsandservice@hatcocorp.com

Informations Importantes pour le Propriétaire	36	Installation	43
Introduction	36	Modèles GRSS et GRSSR	43
Consignes de Sécurité Importantes	37	Modèles GRSSB	43
Description du Modèle	38	Mode d'emploi	45
Tous les Modèles	38	Généralités	45
Modèles GRSS	38	Maintenance	46
Modèles GRSSR	38	Généralités	46
Modèles GRSSB	38	Nettoyage quotidien	46
Désignation du Modèle	39	Nettoyer la surface en pierre	46
Caractéristiques Techniques	39	Guide de Dépannage	47
Configuration des Fiches	39	Options et accessoires	48
Tableau des valeurs nominales électriques	39	Garantie Limitée Internationale	52
Dimensions	41	Informations de Service	52

INFORMATIONS IMPORTANTES POUR LE PROPRIÉTAIRE

Notez le numéro de modèle, le numéro de série, la tension et la date d'achat de l'appareil dans les espaces ci-dessous (étiquette des caractéristiques techniques en dessous du modèle GRSS et en dessous du boîtier de commande des modèles GRSSB et GRSSR). Veuillez avoir cette information à portée de la main si vous appelez Hatco pour assistance.

Modèle No. _____

Numéro de série _____

Voltage _____

Date d'achat _____

Enregistrez votre appareil!

Remplissez la garantie en ligne pour éviter les retards pour faire jouer la garantie. Accédez au site Web Hatco www.hatcocorp.com, sélectionnez le menu déroulant Parts & Service, puis cliquez sur Warranty Registration.

Horaires
ouvrables : 7h00 à 17h00
Heure du Centre des États-Unis (CST)
(Horaires d'été : juin à septembre—
7h00 à 17h00 CST du lundi au jeudi
7h00 à 16h00 CST le vendredi)

Téléphone : +1-414-671-6350

Courriel: partsandservice@hatcocorp.com

Télécopieur : +1-414-671-3976 (Pièces et Service après-vente)

Des renseignements supplémentaires sont disponibles sur notre site Web à www.hatcocorp.com.



Mise au rebut correcte de ce produit

Cette indication signale que ce produit et ses composants électroniques ne doivent pas être jetés avec les autres déchets commerciaux. Dans le but d'éviter tout danger pour l'environnement ou la santé humaine susceptible d'être causé par la mise au rebut non contrôlée des déchets, recyclez de manière responsable afin de promouvoir la réutilisation durable des ressources matérielles. Contactez le vendeur du produit pour mettre au rebut ce produit et ses composants électroniques afin de recycler de manière écologique.

INTRODUCTION

La plaque chauffante en pierre Glo-Ray® de Hatco est conçue pour conserver la nourriture préparée au chaud tout en se fondant dans votre décor. Les plaques chauffantes en pierre garderont tous les aliments à une température de service optimale sans nuire à leur qualité. Elles comportent une base chauffante contrôlée par un thermostat afin de prolonger les temps de conservation de la plupart des plats.

Les plaques chauffantes en pierre Glo-Ray sont des produits issus d'une recherche approfondie et d'essais sur le terrain. Les matériaux utilisés ont été sélectionnés pour un maximum de durabilité, d'aspect esthétique et de performance optimum. Chaque appareil est minutieusement inspecté et testé avant expédition.

Ce manuel fournit les instructions d'installation, de sécurité et d'utilisation des plaques chauffantes en pierre. Hatco vous recommande de lire l'ensemble des instructions d'installation, de sécurité et de fonctionnement contenues dans ce manuel avant d'installer et d'utiliser l'appareil.

Les consignes de sécurité qui apparaissent dans ce manuel sont identifiées par les mots indicateurs suivants :

AVERTISSEMENT

AVERTISSEMENT indique une situation dangereuse qui, si elle n'est pas évitée, peut provoquer la mort ou des blessures graves.

ATTENTION

ATTENTION indique une situation dangereuse qui, si elle n'est pas évitée, peut provoquer des blessures légères ou moyennes.

AVIS

AVIS est utilisé pour des questions sans rapport avec des blessures corporelles.



Lisez l'information de sécurité importante suivante avant d'utiliser cet équipement pour éviter des dommages ou la mort sérieux et pour éviter d'endommager l'équipement ou la propriété.

⚠ AVERTISSEMENT

DANGER DE DÉCHARGE ÉLECTRIQUE :

- Brancher l'appareil sur une prise de courant avec terre de tension, de format et de configuration des broches corrects. Si la fiche et la prise ne se correspondent pas, s'adresser à un électricien qualifié pour déterminer et installer une prise de courant de format et de tension corrects.
- Le boîtier de commande monté à distance peut être installé sur un mur vertical en position verticale. L'installation du boîtier de commande en position horizontale peut conduire à une accumulation de liquides et entraîner une décharge électrique.
- Mettez l'unité hors tension depuis l'interrupteur, débranchez le cordon d'alimentation et laissez l'unité refroidir avant d'effectuer tout nettoyage, tout réglage ou tout entretien.
- NE PAS immerger l'appareil ni le saturer d'eau. L'appareil n'est pas étanche à l'eau. Ne pas le faire fonctionner s'il a été immergé ou saturé d'eau.
- Ne pas nettoyer à la vapeur ni utiliser trop d'eau sur l'appareil.
- Cet appareil n'est pas étanche aux jets. Ne pas utiliser de jet sous pression pour nettoyer l'appareil.
- L'appareil n'est pas à l'épreuve des intempéries. Placer l'appareil à l'intérieur à une température ambiante de 21°C (70°F) minimum.
- Ne pas utiliser l'appareil si le cordon est endommagé ou usé.
- Ne pas tirer l'appareil par son cordon électrique.
- Ne pas tenter de réparer ni de changer un cordon électrique endommagé. Ce cordon doit être changé par Hatco, par un réparateur Hatco agréé ou par une personne de qualifications comparables.
- Utilisez uniquement des pièces de rechange d'origine Hatco lorsque l'entretien est nécessaire. Utilisez des pièces détachées Hatco authentiques sous peine d'annuler toutes les garanties et d'exposer l'utilisateur à des tensions électriques dangereuses pouvant entraîner une électrocution ou des brûlures. Les pièces de rechange authentiques Hatco sont spécifiées pour fonctionner en toute sécurité dans les environnements dans lesquels elles sont utilisées. Certaines pièces de rechange génériques ou d'après-vente n'ont pas les caractéristiques qui leur permettent d'opérer en toute sécurité dans les équipements Hatco.

DANGER D'INCENDIE : Placez l'unité à au moins 25 mm (1") de murs ou de matières inflammables. Si ces distances de sécurité ne sont pas respectées, une décoloration ou une combustion peut se produire.

Hatco Corporation n'est pas responsable de la température réelle à laquelle les aliments sont servis. Il est de la responsabilité de l'utilisateur de s'assurer que les produits alimentaires sont maintenus et servis à une température sans danger.

Assurez-vous que tous les opérateurs ont été formés à l'utilisation sûre et correcte de l'appareil.

⚠ AVERTISSEMENT

S'assurer que la nourriture a été chauffée à une température adaptée à une alimentation saine avant de la placer sur l'appareil. Le non-chauffage des aliments à une température appropriée peut poser un grand risque pour la santé. Cet appareil n'est destiné qu'à maintenir des aliments préchauffés au chaud.

Cet appareil ne doit pas être utilisé par des enfants ou des personnes avec des capacités physiques, sensorielles ou mentales diminuées. Assurez-vous que les enfants sont bien surveillés et tenez-les à l'écart de l'appareil.

La réparation de cet appareil doit être confiée exclusivement à du personnel qualifié. Les réparations par des personnes non qualifiées peuvent provoquer des décharges électriques et des brûlures.

Cet appareil ne contient aucune pièce réparable par l'utilisateur. Si cet appareil doit être réparé, contacter un réparateur Hatco agréé ou le Service après-vente Hatco au +1 414-671-6350 ; télécopieur +1 414-671-3976.

⚠ ATTENTION

DANGER DE BRÛLURE : Certaines surfaces extérieures de l'appareil deviennent chaudes. Toucher ces zones de l'appareil avec précaution.

Placez l'unité à une hauteur adaptée au comptoir, à un emplacement pratique à utiliser. L'emplacement doit être plan pour éviter que l'unité ou son contenu ne tombe accidentellement, et suffisamment solide pour supporter le poids de l'unité et de son contenu.

Ne pas utiliser les modèles intégrés si la bordure de montage et le boîtier de commande ne sont pas correctement installés comme décrit dans les instructions d'installation.

La National Sanitation Foundation (NSF) exige que les appareils de plus de 914 mm (36") de large ou pesant plus de 36 kg (80 lb) soient fixés sur ou surélevés par rapport à la surface d'installation. Si l'appareil ne peut pas être fixé sur l'emplacement d'utilisation, des pieds de 102 mm (4") sont fournis pour permettre le nettoyage en dessous de l'appareil.

S'assurer de nettoyer et de désinfecter correctement la surface en pierre après avoir nettoyé la surface en profondeur avec des abrasifs et avant de placer des aliments sur l'appareil.

AVIS

Les dommages pouvant être causés au dessus de comptoir par l'équipement de Hatco ne sont pas couverts par la garantie de Hatco. Contactez le fabricant du comptoir pour les informations concernant l'application.

Les appareils intégrés ne doivent pas atteindre un point de consigne de température supérieur à 93 °C (200 °F). Les températures dépassant les 93 °C (200 °F) endommagent l'appareil et annulent la garantie.

AVIS

Ne pas modifier le câblage ni couper le tube capillaire du thermostat du boîtier de commande pour augmenter l'éloignement du montage à distance. La coupe du tube capillaire du thermostat fera surchauffer l'appareil et peut l'endommager ainsi que le comptoir qui l'entoure.

Ne couchez pas l'unité sur le côté comportant le panneau de commande. L'unité pourrait être endommagée.

Utilisez seulement des nettoyants non abrasifs et des chiffons doux. Les chiffons et nettoyant abrasifs pourraient érafler la finition de l'unité, entachant son apparence et la rendant susceptible à l'accumulation de saleté.

AVIS

Pour déplacer ou installer l'appareil, ne le traînez pas ou ne le faites pas glisser. Soulevez-le avec précaution afin d'éviter que les pieds en caoutchouc ne se détachent.

Si le poids sur la plaque dépasse les 23 kg (50 lb), une déflexion de 4 mm (5/32") maximum est possible. Si le poids sur la plaque dépasse les 45 kg (100 lb), une déflexion de 6 mm (1/4") maximum est possible. La plaque n'est plus garantie si elle doit supporter un poids supérieur à 68 kg (150 lb). Le poids doit être réparti de manière uniforme sur l'ensemble de la plaque.

DESCRIPTION DU MODÈLE

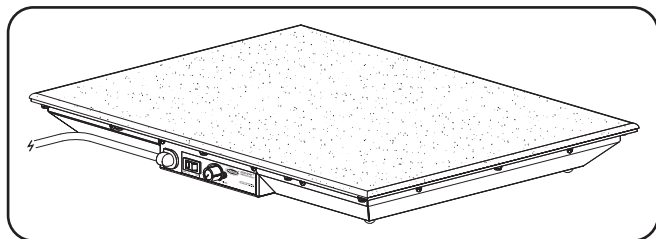
Tous les modèles

Toutes les plaques chauffantes en pierre Glo-Ray® de Hatco sont idéales pour des passages dans des zones, pour les buffets et pour présenter les hors d'œuvre. Les plaques chauffantes en pierre sont uniques, constituées d'une surface solide imitation pierre et disponibles en plusieurs couleurs. L'équipement standard inclut un interrupteur marche/arrêt de l'alimentation éclairé, une surface supérieure chauffée en pierre contrôlée par un thermostat et une base en acier peinte.

NOTA: Se référer à la partie OPTIONS ET ACCESSOIRES de ce manuel pour connaître les options et accessoires disponibles.

Modèles GRSS

La plaque chauffante en pierre GRSS est une plaque portable reliée à un cordon d'1,829 mm (6') et une prise. L'appareil portable est disponible en six modèles : GRSS-2418, GRSS-3018, GRSS-3618, GRSS-4818, GRSS-6018 et GRSS-7218.

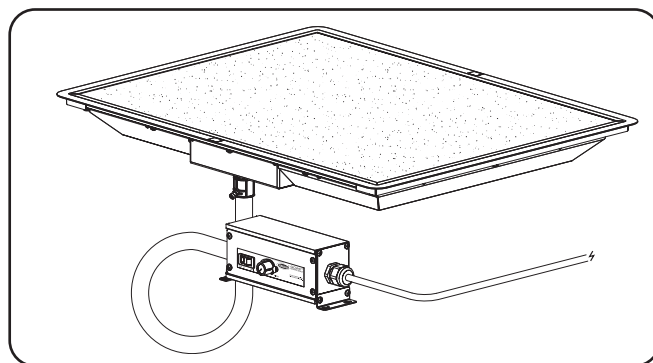


Modèle GRSS

Modèles GRSSB

La plaque chauffante en pierre GRSSB est un appareil intégré qui est équipé d'une bordure de montage fixée. L'appareil comprend un boîtier de commande à distance auquel il est relié à l'aide d'une gaine de 914 mm (3'). Un cordon d'alimentation d'1,829 mm (6') doté d'une prise connecte le boîtier de commande à distance à la source d'alimentation.

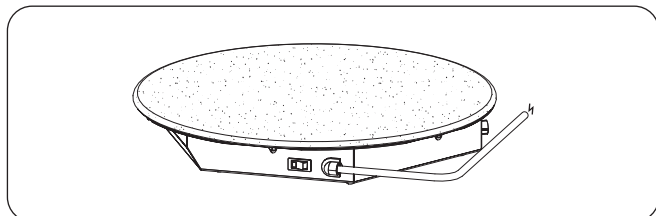
Les appareils intégrés sont disponibles en six modèles : GRSSB-2418, GRSSB-3018, GRSSB-3618, GRSSB-4818, GRSSB-6018 et GRSSB-7218.



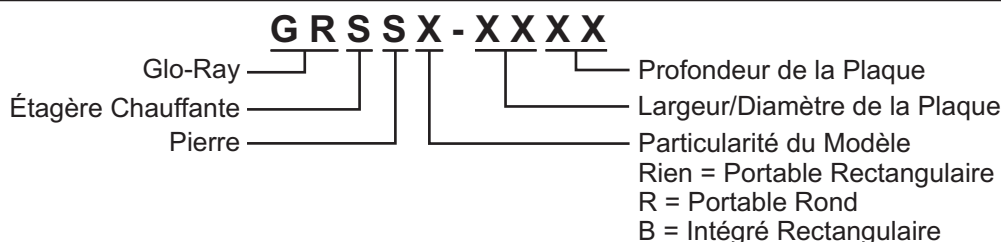
Modèle GRSSB

Modèles GRSSR

La plaque chauffante en pierre GRSSR est une plaque portable ronde reliée à un cordon de 1,829 mm (6') et une prise. L'appareil portable est disponible en trois modèles : GRSSR-16, GRSSR-18 et GRSSR-20.



Modèle GRSSR



CARACTÉRISTIQUES TECHNIQUES

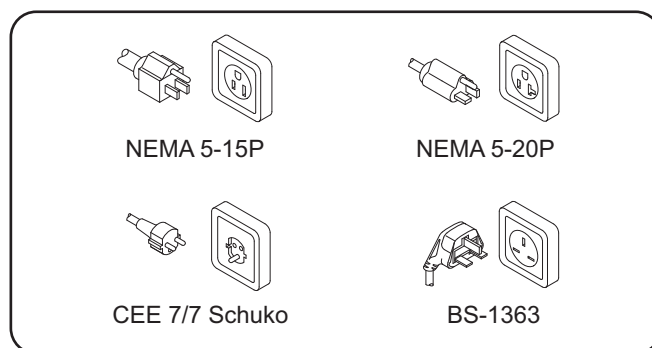
Configuration des fiches

Les appareils sont livrés avec un cordon électrique avec fiche. Différentes fiches sont fournies selon les applications.

AVERTISSEMENT

DANGER DE DÉCHARGE ÉLECTRIQUE : Brancher l'appareil sur une prise de courant avec terre de tension, de format et de configuration des broches corrects. Si la fiche et la prise ne se correspondent pas, s'adresser à un électricien qualifié pour déterminer et installer une prise de courant de format et de tension corrects.

NOTA: Étiquette des caractéristiques techniques en dessous du modèle GRSS et en dessous du boîtier de commande des modèles GRSSB et GRSSR. Consultez l'étiquette pour connaître le numéro de série et vérifier les caractéristiques électriques de l'appareil.



Configuration des fiches

NOTA: Prise non fournie par Hatco.

Tableau des valeurs nominales électriques — GRSS Models

Modèle	Tension	Intensité	Amps	Configuration de Fiches	Poids d'embarquement
GRSS-2418	120	635	5.3	NEMA 5-15P	12 kg (27 lbs.)
	220-230 (CE)	534-583	2.4-2.5	CEE 7/7 Schuko	12 kg (27 lbs.)
	230-240 (CE)	583-635	2.5-2.6	BS-1363	12 kg (27 lbs.)
GRSS-3018	120	780	6.5	NEMA 5-15P	14 kg (30 lbs.)
	220-230 (CE)	655-716	3.0-3.1	CEE 7/7 Schuko	14 kg (30 lbs.)
	230-240 (CE)	716-780	3.1-3.3	BS-1363	14 kg (30 lbs.)
GRSS-3618	120	930	7.8	NEMA 5-15P	16 kg (35 lbs.)
	220-230 (CE)	782-854	3.6-3.7	CEE 7/7 Schuko	16 kg (35 lbs.)
	230-240 (CE)	854-930	3.7-3.9	BS-1363	16 kg (35 lbs.)
GRSS-4818	120	1270	10.6	NEMA 5-15P	20 kg (45 lbs.)
	220-230 (CE)	1068-1166	4.8-5.0	CEE 7/7 Schuko	20 kg (45 lbs.)
	230-240 (CE)	1166-1270	5.0-5.2	BS-1363	20 kg (45 lbs.)
GRSS-6018	120	1560	13.0	NEMA 5-20P	25 kg (56 lbs.)
	220-230 (CE)	1310-1432	6.0-6.2	CEE 7/7 Schuko	25 kg (56 lbs.)
	230-240 (CE)	1432-1560	6.2-6.6	BS-1363	25 kg (56 lbs.)
GRSS-7218	120	1860	15.6	NEMA 5-20P	31 kg (68 lbs.)
	220-230 (CE)	1564-1708	7.2-7.4	CEE 7/7 Schuko	31 kg (68 lbs.)
	230-240 (CE)	1708-1860	7.4-7.8	BS-1363	31 kg (68 lbs.)

Les zones ombrées contiennent des informations électriques pour les modèles internationaux uniquement.

NOTA: Le poids d'embarquement comprend l'emballage.

Tableau des valeurs nominales électriques — Séries GRSSR

Modèle	Tension	Intensité	Amps	Configuration de Fiches	Poids d'embarquement
GRSSR-16	120	250	2.1	NEMA 5-15P	6 kg (14 lbs.)
	100	180	1.8	NEMA 5-15P	6 kg (14 lbs.)
	220-230 (CE)	190-220	0.8-0.9	CEE 7/7 Schuko	6 kg (14 lbs.)
	230-240 (CE)	220-250	0.9-1.0	BS-1363	6 kg (14 lbs.)
GRSSR-18	120	325	2.7	NEMA 5-15P	7 kg (16 lbs.)
	100	230	2.3	NEMA 5-15P	7 kg (16 lbs.)
	220-230 (CE)	265-295	1.2-1.3	CEE 7/7 Schuko	7 kg (16 lbs.)
	230-240 (CE)	295-325	1.3-1.4	BS-1363	7 kg (16 lbs.)
GRSSR-20	120	400	3.3	NEMA 5-20P	8 kg (18 lbs.)
	100	270	2.7	NEMA 5-15P	8 kg (18 lbs.)
	220-230 (CE)	330-370	1.5-1.6	CEE 7/7 Schuko	8 kg (18 lbs.)
	230-240 (CE)	370-400	1.6-1.7	BS-1363	8 kg (18 lbs.)

Tableau des valeurs nominales électriques — Séries GRSSB

Modèle	Tension	Intensité	Amps	Configuration de Fiches	Poids d'embarquement
GRSSB-2418	120	635	5.3	NEMA 5-15P	14 kg (30 lbs.)
	220-230 (CE)	534-583	2.4-2.5	CEE 7/7 Schuko	14 kg (30 lbs.)
	230-240 (CE)	583-635	2.5-2.6	BS-1363	14 kg (30 lbs.)
GRSSB-3018	120	780	6.5	NEMA 5-15P	16 kg (35 lbs.)
	220-230 (CE)	655-716	3.0-3.1	CEE 7/7 Schuko	16 kg (35 lbs.)
	230-240 (CE)	716-780	3.1-3.3	BS-1363	16 kg (35 lbs.)
GRSSB-3618	120	930	7.8	NEMA 5-15P	18 kg (40 lbs.)
	220-230 (CE)	782-854	3.6-3.7	CEE 7/7 Schuko	18 kg (40 lbs.)
	230-240 (CE)	854-930	3.7-3.9	BS-1363	18 kg (40 lbs.)
GRSSB-4818	120	1270	10.6	NEMA 5-15P	23 kg (51 lbs.)
	220-230 (CE)	1068-1166	4.8-5.0	CEE 7/7 Schuko	23 kg (51 lbs.)
	230-240 (CE)	1166-1270	5.0-5.2	BS-1363	23 kg (51 lbs.)
GRSSB-6018	120	1560	13.0	NEMA 5-20P	25 kg (56 lbs.)
	220-230 (CE)	1310-1432	6.0-6.2	CEE 7/7 Schuko	25 kg (56 lbs.)
	230-240 (CE)	1432-1560	6.2-6.6	BS-1363	25 kg (56 lbs.)
GRSSB-7218	120	1860	15.6	NEMA 5-20P	32 kg (70 lbs.)
	220-230 (CE)	1564-1708	7.2-7.4	CEE 7/7 Schuko	32 kg (70 lbs.)
	230-240 (CE)	1708-1860	7.4-7.8	BS-1363	32 kg (70 lbs.)

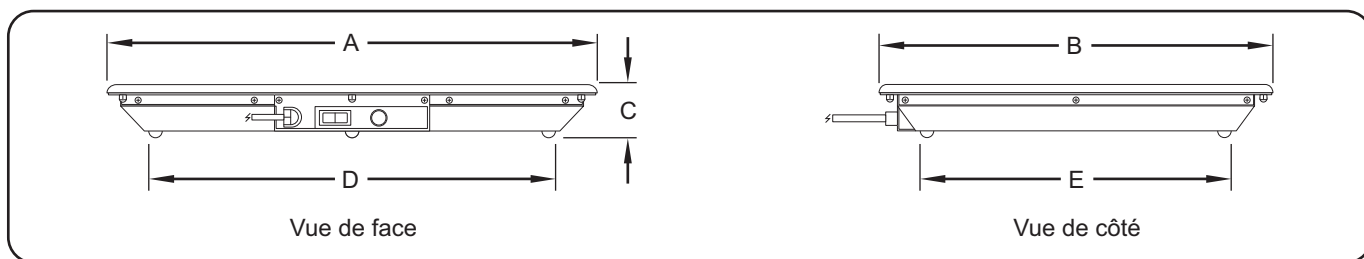
Les zones ombrées contiennent des informations électriques pour **les modèles internationaux uniquement**.

NOTA: Le poids d'embarquement comprend l'emballage.

Dimensions — Série GRSS

Modèle	Largeur (A)	Profondeur (B)	Hauteur (C)	Empattement Largeur (D)	Empattement Profondeur (E)
GRSS-2418	610 mm (24")	457 mm (18")	64 mm (2-1/2")	502 mm (19-3/4")	349 mm (13-3/4")
GRSS-3018	762 mm (30")	457 mm (18")	64 mm (2-1/2")	654 mm (25-3/4")	349 mm (13-3/4")
GRSS-3618	914 mm (36")	457 mm (18")	64 mm (2-1/2")	806 mm (31-3/4")	349 mm (13-3/4")
GRSS-4818*	1220 mm (48")	457 mm (18")	159 mm (6-1/4")	1086 mm (42-3/4")	324 mm (12-3/4")
GRSS-6018*	1524 mm (60")	457 mm (18")	159 mm (6-1/4")	1391 mm (54-3/4")	324 mm (12-3/4")
GRSS-7218*	1828 mm (72")	457 mm (18")	159 mm (6-1/4")	1695 mm (66-3/4")	324 mm (12-3/4")

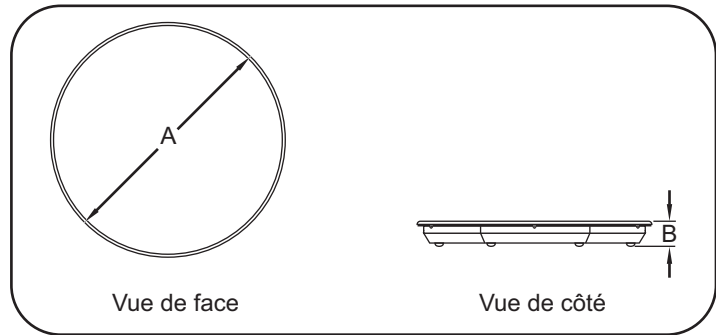
* La hauteur comprend les pieds de 102 mm (4").



GRSS Dimensions

Dimensions — Séries GRSSR

Modèle	Diamètre (A)	Hauteur (B)
GRSSR-16	406 mm (16")	67 mm (2-5/8")
GRSSR-18	457 mm (18")	67 mm (2-5/8")
GRSSR-20	508 mm (20")	67 mm (2-5/8")



GRSSR Dimensions

Dimensions — Séries GRSSB

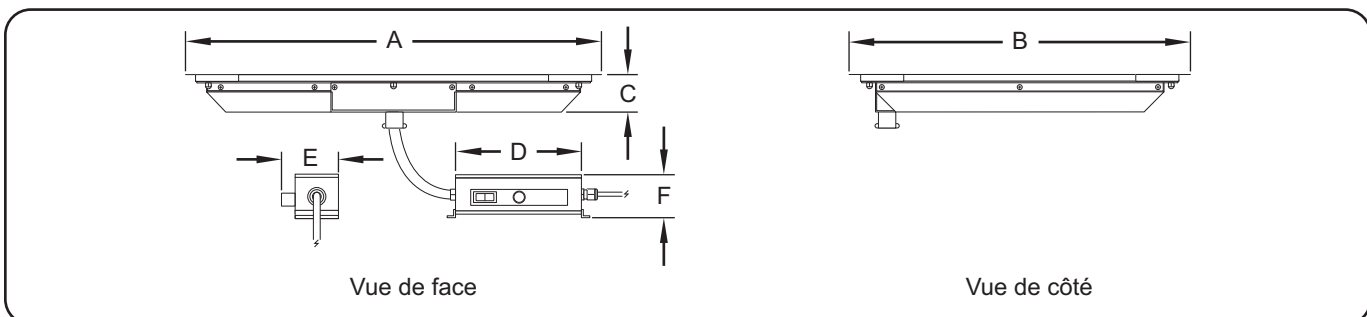
Modèle	Largeur (A)	Profondeur (B)	Hauteur (C)
GRSSB-2418	651 mm (25-5/8")	498 mm (19-5/8")	57 mm (2-1/4")
GRSSB-3018	803 mm (31-5/8")	498 mm (19-5/8")	57 mm (2-1/4")
GRSSB-3618	956 mm (37-5/8")	498 mm (19-5/8")	57 mm (2-1/4")
GRSSB-4818	1260 mm (49-5/8")	498 mm (19-5/8")	57 mm (2-1/4")
GRSSB-6018	1565 mm (61-5/8")	498 mm (19-5/8")	57 mm (2-1/4")
GRSSB-7218	1870 mm (73-5/8")	498 mm (19-5/8")	57 mm (2-1/4")

	Largeur (D)	Profondeur (E)	Hauteur (F)
Boîtier à distance (standard)	178 mm (7")	76 mm (3")	83 mm (3-1/4")

NOTA: Consulter la partie OPTIONS ET ACCESSOIRES pour connaître les dimensions des boîtiers de commande encastrés montés à distance.

AVIS

Se référer à la partie INSTALLATION de ce manuel pour connaître les dimensions réelles de la découpe dans le comptoir.



GRSSB Dimensions

Généralités

Suivre les procédures suivantes pour monter les appareils GRSS, GRSSR et GRSSB.

AVERTISSEMENT

DANGER DE DÉCHARGE ÉLECTRIQUE : L'appareil n'est pas à l'épreuve des intempéries. Placer l'appareil à l'intérieur à une température ambiante de 21°C minimum.

DANGER D'INCENDIE : Placer l'appareil à un minimum de 25 mm des parois et matières combustibles. Si une distance sûre n'est pas maintenue, la chaleur peut provoquer une combustion ou une altération de couleur.

ATTENTION

Placez l'unité à une hauteur adaptée au comptoir, à un emplacement pratique à utiliser. L'emplacement doit être plan pour éviter que l'unité ou son contenu ne tombe accidentellement, et suffisamment solide pour supporter le poids de l'unité et de son contenu.

La National Sanitation Foundation (NSF) exige que les appareils de plus de 914 mm (36") de large ou pesant plus de 36 kg (80 lb) soient fixés sur ou surélevés par rapport à la surface d'installation. Si l'appareil ne peut pas être fixé sur l'emplacement d'utilisation, des pieds de 102 mm (4") sont fournis pour permettre le nettoyage en dessous de l'appareil.

AVIS

Ne couchez pas l'unité sur le côté comportant le panneau de commande. L'unité pourrait être endommagée.

Modèles GRSS et GRSSR

1. Retirer l'appareil de sa boîte.
2. Retirer le ruban et le film de protection de toutes les surfaces de l'appareil.

NOTA: Pour éviter des retards dans l'obtention de la couverture de la garantie, complétez l'enregistrement en ligne de votre garantie. Lisez la section INFORMATIONS IMPORTANTES POUR LE PROPRIÉTAIRE pour plus de détails.

NOTA: Si des pieds de 102 mm (4") sont nécessaires, se reporter à la partie OPTIONS ET ACCESSOIRES de ce manuel pour obtenir des instructions d'installation. Les pieds de 102 mm (4") sont inclus avec les modèles de plus de 914 mm (36") de large.

3. Placer l'appareil à l'endroit souhaité.
 - Placez l'appareil dans une zone où la température ambiante est toujours de 21°C (70°F) minimum. Évitez les zones situées dans les courants d'air (par exemple à proximité d'une porte extérieure, des ventilateurs d'échappement/hottes, des conduites de climatisation, etc.).
 - S'assurer que l'appareil est sur un plan de travail de hauteur correcte à un endroit qui convient pour son utilisation.
 - S'assurer que le plan de travail est de niveau et suffisamment solide pour résister au poids de l'appareil et des produits alimentaires.
 - Vérifier que tous les pieds sous l'appareil reposent solidement sur le plan de travail.

4. Monter les accessoires qui accompagnent l'appareil. Pour plus de détails, se reporter à la partie OPTIONS ET ACCESSOIRES.

Modèles GRSSB

1. Retirer l'appareil de sa boîte.
2. Retirer le ruban et le film de protection de toutes les surfaces de l'appareil.

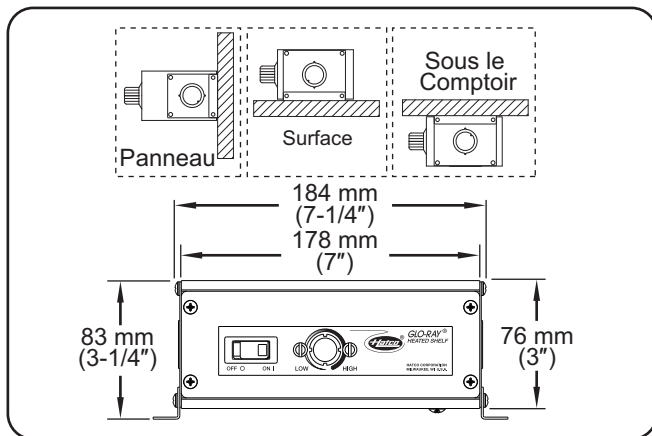
NOTA: Pour éviter des retards dans l'obtention de la couverture de la garantie, complétez l'enregistrement en ligne de votre garantie. Lisez la section INFORMATIONS IMPORTANTES POUR LE PROPRIÉTAIRE pour plus de détails.

AVIS

Les dommages pouvant être causés au dessus de comptoir par l'équipement de Hatco ne sont pas couverts par la garantie de Hatco. Contactez le fabricant du comptoir pour les informations concernant l'application.

3. Préparez l'ouverture du comptoir. Se référer au « Tableau des découpes dans le comptoir pour les GRSSB » afin d'obtenir les dimensions de découpe dans le comptoir recommandées.
4. Appliquer un cordon d'un produit d'étanchéité approuvé par la National Sanitation Foundation (NSF) sur le bord supérieur de la découpe dans le comptoir et en dessous de la bordure de montage. Le produit d'étanchéité doit être prévu pour une utilisation à une température minimale de 121 °C (250 °F).
5. Placez l'appareil dans la découpe.
6. Retirez l'excédent d'agent d'étanchéité.
7. Placer l'ensemble boîtier de commande à distance dans une zone d'utilisation pratique. En fonction des besoins, le boîtier de contrôle peut être installé en position semi-distante.
 - Retirez le boîtier de contrôle du dessous de l'appareil.
 - Si cela est nécessaire, retirez les supports d'extrémité du boîtier de contrôle, faites tourner/repositionnez et refixez le boîtier de contrôle.
 - Le boîtier de commande peut être monté sur un panneau, une surface ou sous le comptoir.
 - La distance d'installation du boîtier de contrôle est limitée par la gaine de câbles qui mesure 914 mm (36"). Ne tirez pas sur la gaine de câbles pour essayer d'augmenter la distance d'installation. La gaine de câbles doit présenter un peu de jeu après l'installation du boîtier de contrôle.

NOTA: Le boîtier de commande à distance doit être monté à l'aide de vis, dont la tête doit avoir un diamètre minimum de 6 mm (1/4"), insérées dans les orifices situés sur les supports de montage. Le boîtier de commande à distance doit être facilement déplaçable, et non pas fixé de manière permanente.



Options de montage du boîtier de commande

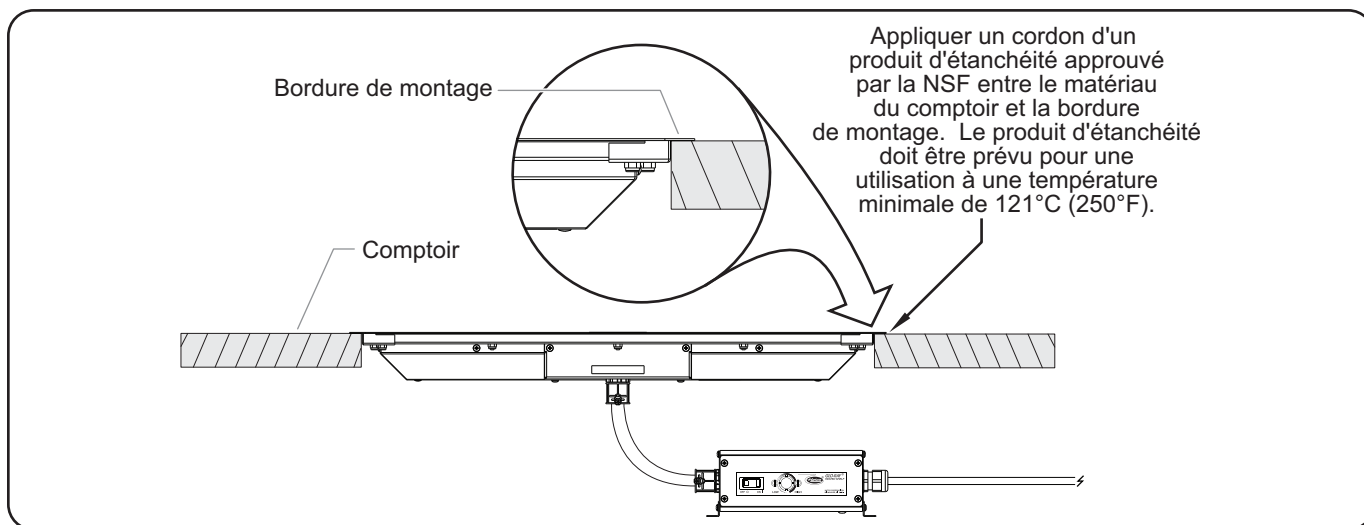
AVIS

Ne pas modifier le câblage ni couper le tube capillaire du thermostat du boîtier de commande pour augmenter l'éloignement du montage à distance. La coupe du tube capillaire du thermostat fera surchauffer l'appareil et peut l'endommager ainsi que le comptoir qui l'entoure.

8. Une fois que tous les composants sont fixés, passer à la partie MODE D'EMPLOI.

NOTA: Un cordon d'1,829 mm (6') est fourni avec l'appareil ; tout excès de cordon doit être soigneusement disposé afin qu'il ne pende pas.

Installation des GRSSB intégrés



Installation des GRSSB intégrés

Tableau des découpes dans le comptoir pour les GRSSB		
Modèle	Largeur	Profondeur
GRSSB-2418	625 mm (24-5/8") – 632 mm (24-7/8")	473 mm (18-5/8") – 479 mm (18-7/8")
GRSSB-3018	778 mm (30-5/8") – 784 mm (30-7/8")	473 mm (18-5/8") – 479 mm (18-7/8")
GRSSB-3618	930 mm (36-5/8") – 937 mm (36-7/8")	473 mm (18-5/8") – 479 mm (18-7/8")
GRSSB-4818	1235 mm (48-5/8") – 1241 mm (48-7/8")	473 mm (18-5/8") – 479 mm (18-7/8")
GRSSB-6018	1540 mm (60-5/8") – 1546 mm (60-7/8")	473 mm (18-5/8") – 479 mm (18-7/8")
GRSSB-7218	1845 mm (72-5/8") – 1851 mm (72-7/8")	473 mm (18-5/8") – 479 mm (18-7/8")

Généralités

Suivre les procédures suivantes pour allumer et utiliser les appareils GRSS, GRSSR et GRSSB.

⚠ AVERTISSEMENT

Lire tous les messages de sécurité de la section Consignes de sécurité importantes avant d'utiliser ce matériel.

Mise en marche

1. Nettoyer et désinfecter les surfaces en pierre en utilisant un tissu propre et humide, et un désinfectant agréé pour les surfaces en contact avec des aliments.
2. Brancher l'appareil sur une prise électrique correctement mise à la terre du type, de la taille et de la tension corrects. Voir des détails à la section CARACTÉRISTIQUES TECHNIQUES.
3. Placer interrupteur d'alimentation I/O (marche/arrêt) sur la position I (marche) .

⚠ ATTENTION

DANGER DE BRÛLURE : Certaines surfaces extérieures de l'appareil deviennent chaudes. Toucher ces zones de l'appareil avec précaution.

4. Tourner la commande de la température pour choisir le réglage de température souhaité.

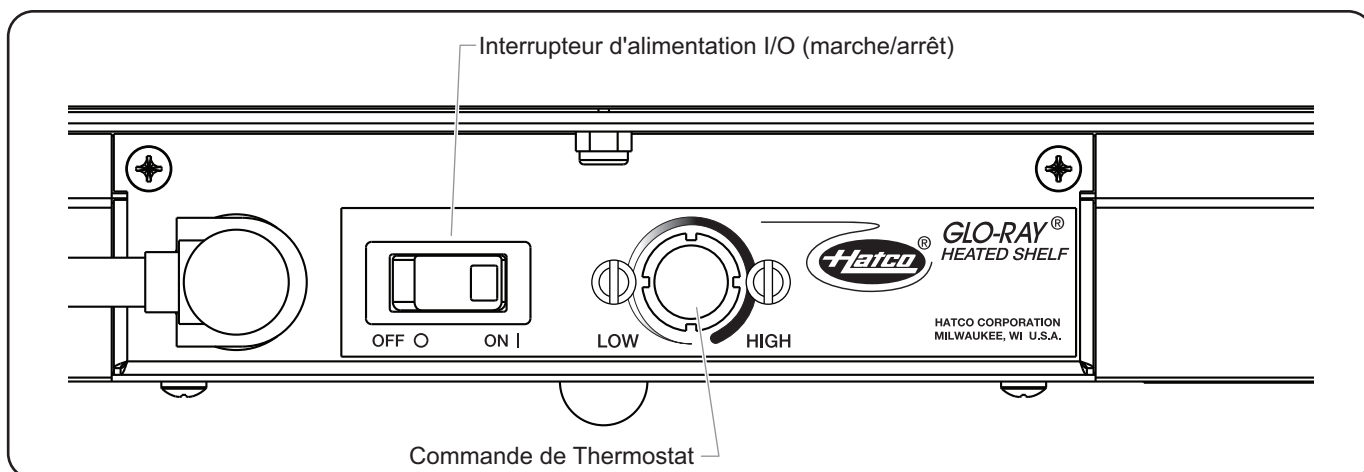
- Tourner le bouton de commande de la température dans le sens des aiguilles d'une montre pour augmenter le réglage de température. Tourner le bouton de commande de la température dans le sens inverse des aiguilles d'une montre pour baisser le réglage de température.

5. Attendre 30 minutes que l'appareil ait le temps d'atteindre sa température d'exploitation avant d'y placer le produit alimentaire préchauffé.

NOTA: Se référer à la partie OPTIONS ET ACCESSOIRES de ce manuel pour connaître les informations d'installation et d'utilisation relatives aux appareils GRSSB équipés d'un panneau de commande encastré monté à distance.

AVIS

Si le poids sur la plaque dépasse les 23 kg (50 lb), une déflexion de 4 mm (5/32") maximum est possible. Si le poids sur la plaque dépasse les 45 kg (100 lb), une déflexion de 6 mm (1/4") maximum est possible. La plaque n'est plus garantie si elle doit supporter un poids supérieur à 68 kg (150 lb). Le poids doit être réparti de manière uniforme sur l'ensemble de la plaque.



Panneau de commande standard — Modèle GRSS

Généralités

Les plaques chauffantes en pierre Glo-Ray® de Hatco sont conçues pour une durabilité et des performances maximum, avec un entretien minimum.

AVERTISSEMENT

DANGER DE DÉCHARGE ÉLECTRIQUE :

- Mettez l'unité hors tension depuis l'interrupteur, débranchez le cordon d'alimentation et laissez l'unité refroidir avant d'effectuer tout nettoyage, tout réglage ou tout entretien.
- NE PAS immerger l'appareil ni le saturer d'eau. L'appareil n'est pas étanche à l'eau. Ne pas le faire fonctionner s'il a été immergé ou saturé d'eau.
- Cet appareil n'est pas étanche aux jets. Ne pas utiliser de jet sous pression pour nettoyer l'appareil.
- Ne pas nettoyer à la vapeur ni utiliser trop d'eau sur l'appareil.
- Utilisez uniquement des pièces de rechange d'origine Hatco lorsque l'entretien est nécessaire. Utilisez des pièces détachées Hatco authentiques sous peine d'annuler toutes les garanties et d'exposer l'utilisateur à des tensions électriques dangereuses pouvant entraîner une électrocution ou des brûlures. Les pièces de rechange authentiques Hatco sont spécifiées pour fonctionner en toute sécurité dans les environnements dans lesquels elles sont utilisées. Certaines pièces de rechange génériques ou d'après-vente n'ont pas les caractéristiques qui leur permettent d'opérer en toute sécurité dans les équipements Hatco.

Cet appareil ne contient aucune pièce réparable par l'utilisateur. Si cet appareil doit être réparé, contacter un réparateur Hatco agréé ou le Service après-vente Hatco au +1 414-671-6350 ; télécopieur +1 414-671-3976.

Nettoyage quotidien

Pour préserver la finition de l'appareil et maintenir la performance, il est recommandé de nettoyer tous les jours l'appareil.

AVIS

Utilisez seulement des nettoyants non abrasifs et des chiffons doux. Les chiffons et nettoyant abrasifs pourraient érafler la finition de l'unité, entachant son apparence et la rendant susceptible à l'accumulation de saleté.

1. Avant d'allumer l'appareil chaque jour, nettoyer et désinfecter les surfaces de pierre à l'aide d'un chiffon propre et humide et un désinfectant approuvé pour les surfaces de contact alimentaire. Si un nettoyage supplémentaire est nécessaire, reportez-vous à la section «Nettoyage de la surface de la pierre» informations de cette section.
2. À la fin de chaque jour:
 - a. Mettre l'appareil hors tension et laisser refroidir l'appareil.
 - b. Essuyez toutes les surfaces métalliques à l'aide d'un chiffon propre humide non abrasif.
 - c. Nettoyer et désinfecter les surfaces en pierre en utilisant un tissu propre et humide, et un désinfectant agréé pour les surfaces en contact avec des aliments. Si un nettoyage supplémentaire est nécessaire, se référer aux informations « Nettoyer la surface en pierre » de cette partie.

NOTA: pour remédier aux taches inégales et aux décolorations, se référer aux informations « Nettoyer la surface en pierre » de cette partie.

d. Séchez à l'aide d'un chiffon propre non abrasif.

Nettoyer la surface en pierre

Une utilisation appropriée du produit telle que mentionnée ci-dessous n'endommagera pas la surface en pierre (suivez les instructions sur les étiquettes du produit).

NOTA: Les surfaces en pierre sont en pierre artificielle.

ATTENTION

Veillez à nettoyer et désinfecter correctement les étagères chauffantes en pierre après l'utilisation d'abrasifs pour un nettoyage en profondeur de la surface, avant de placer un produit alimentaire sur l'unité.

Taches tenaces

Pour les taches tenaces, utiliser la compresse abrasive fournie ainsi qu'un nettoyant abrasif comme Ajax®, Comet®, Bon Ami®, ou Bar Keeper's Friend®. Des compresses abrasives supplémentaires sont disponibles auprès de Hatco (P/N 04.39.049.00). **AVIS : Utiliser uniquement la compresse abrasive fournie sur la surface en pierre.**

NOTE: Ne pas utiliser de laine d'acier ou de compresse de décapage en métal.

Taches minérales

Pour une tache minérale, il est recommandé d'utiliser des nettoyants conçus pour nettoyer le fer ou la rouille qui n'endommageront pas la surface en pierre.

Rayures

Pour les rayures, utiliser du papier de verre en commençant par les plus gros grains de poussière, puis en passant aux plus fins, jusqu'à ce que les rayures disparaissent. Passer la compresse abrasive fournie sur toute la surface.

AVERTISSEMENT

La réparation de cet appareil doit être confiée exclusivement à du personnel qualifié. Les réparations par des personnes non qualifiées peuvent provoquer des décharges électriques et des brûlures.

AVERTISSEMENT

DANGER DE DÉCHARGE ÉLECTRIQUE: Mettez l'unité hors tension depuis l'interrupteur, débranchez le cordon d'alimentation et laissez l'unité refroidir avant d'effectuer tout nettoyage, tout réglage ou tout entretien.

Symptôme	Cause Probable	Solution
Appareil trop chaud.	La commande de la température est réglée à un niveau trop élevé.	Baisser le réglage de la température.
	Appareil branché sur une alimentation inadaptée.	Assurez-vous auprès d'un personnel qualifié que l'alimentation correspond aux spécifications de l'appareil.
	La commande de la température est défectueuse.	Contactez votre agent de maintenance agréé ou Hatco.
Appareil pas assez chaud.	La commande de la température est réglée à un niveau trop faible.	Augmenter le réglage de la température.
	L'appareil est exposé à des courants d'air (conduites de climatisation ou ventilateurs d'échappement).	Éliminer les courants d'air ou déplacez l'appareil.
L'appareil ne fonctionne pas du tout.	Appareil non branché.	Brancher l'appareil sur une alimentation adéquate.
	L'appareil n'a pas été mis sous tension.	Placer interrupteur d'alimentation I/O (marche/arrêt) sur I (marche).
	Interrupteur d'alimentation I/O (marche/arrêt) défectueux.	Contactez votre agent de maintenance agréé ou Hatco.
	La commande de la température est défectueuse.	Contactez votre agent de maintenance agréé ou Hatco.
	Élément chauffant de la base grillé.	Contactez votre agent de maintenance agréé ou Hatco.
La matière de la surface en pierre est tachée, décolorée ou est maculée/décolorée par endroits.	La surface en pierre n'a pas été nettoyée correctement.	Nettoyer la surface en suivant les informations "Nettoyage de la surface en pierre" à la section ENTRETIEN de ce manuel. Si ces méthodes ne parviennent pas à fournir des résultats acceptables, contactez Hatco pour obtenir une assistance.
La plaque ploie.	Poids excessif sur la plaque.	Répartir le poids de manière uniforme sur l'ensemble de la plaque. Si le poids sur la plaque dépasse les 23 kg (50 lb), une déflexion de 4 mm (5/32") maximum est possible. Si le poids sur la plaque dépasse les 45 kg (100 lb), une déflexion de 6 mm (1/4") maximum est possible. La plaque n'est plus garantie si elle doit supporter un poids supérieur à 68 kg (150 lb).

Vous avez des questions en ce qui concerne les pannes ?

Si le problème persiste, veuillez contacter l'agence d'entretien agréée Hatco la plus proche ou Hatco pour obtenir une assistance. Pour trouver l'agence d'entretien la plus proche, rendez-vous sur le site Internet de Hatco (www.hatcocorp.com) et cliquez sur Trouver un agent d'entretien, ou contactez l'équipe d'entretien et de pièces détachées de Hatco :

Numéro de

téléphone: 800-558-0607 ou 414-671-6350

Courriel: partsandservice@hatcocorp.com

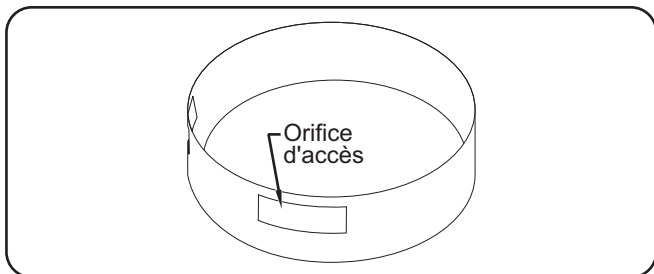
Télécopie: 800-690-2966 ou 414-671-3976

Rehausseurs (modèles GRSSR uniquement)

Des rehausseurs en acier sont disponibles pour augmenter la hauteur des appareils GRSSR. Deux tailles sont disponibles : 76 mm (3") ou 127 mm (5") de hauteur, en différentes couleurs et en acier inoxydable.

Pour monter un rehausseur :

1. Placer le rehausseur au niveau de son emplacement souhaité sur le comptoir.
2. Passer le cordon d'alimentation de l'appareil GRSSR à travers l'un des orifices d'accès du rehausseur.
3. Installer l'appareil GRSSR dans le rehausseur. S'assurer que les commandes sont accessibles par le biais des orifices d'accès du rehausseur.



Rehausseur de 127 mm (5") du modèle GRSSR

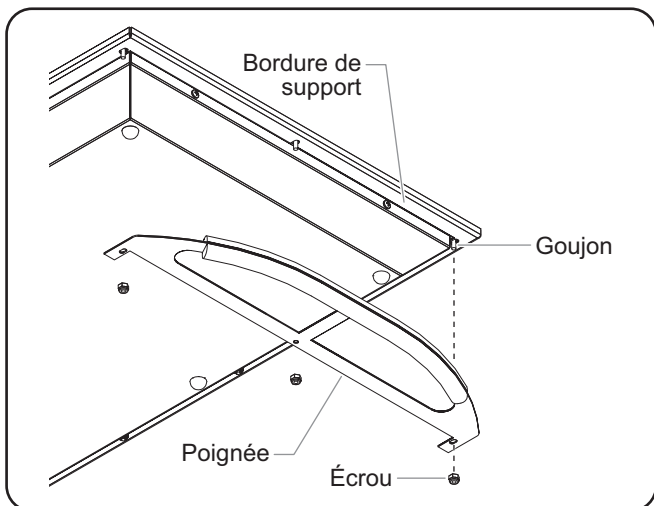
Poignées (modèles GRSSS uniquement)

Des poignées Designer rondes en acier inoxydable et revêtues de poudre noire sont disponibles pour les modèles GRSSS.

Ces poignées sont modifiables sur place et sont montées sur chaque extrémité de l'appareil en suivant la procédure suivante.

Sur chaque extrémité de l'appareil :

1. Retirer les trois écrous placés en dessous de la bordure de support de la surface en pierre.
2. Aligner les trois orifices de la poignée avec les trois goujons de la bordure de support, puis positionner la poignée sur les goujons.
3. Remettre les trois écrous sur les goujons et serrer fermement.



Montage des poignées

Planche à découper (modèles GRSSR uniquement)

La planche à découper est équipée de pieds en caoutchouc dans sa partie inférieure pour pouvoir être placée au-dessus de la surface chauffante en pierre.

La planche à découper est composée du même matériau que la surface chauffante en pierre et est disponible dans les mêmes couleurs.

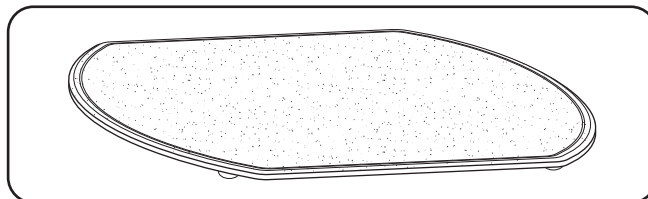
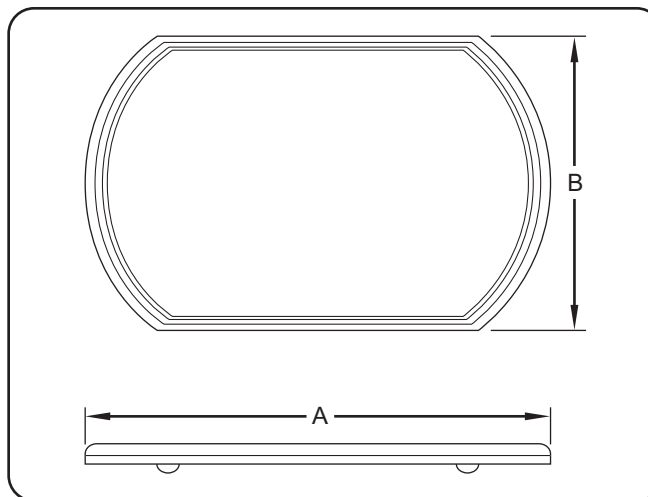


Planche à découper

Dimensions de la planche à découper

Modèle	Largeur (A)	Profondeur (B)
GRSSR-16	432 mm (17")	298 mm (11-3/4")
GRSSR-18	483 mm (19")	349 mm (13-3/4")
GRSSR-20	533 mm (21")	400 mm (15-3/4")



Dimensions de la planche à découper

Boîtiers de Contrôle Distant (modèles GRSSB uniquement)

Deux types de boîtier de commande encastré monté à distance sont disponibles pour le modèle GRSSB — le boîtier de commande thermostatique mécanique et le boîtier de régulation de la température indicateur (ITC) numérique. Ces deux boîtiers de commande doivent être montés en suivant la procédure suivante.

⚠ AVERTISSEMENT

Le boîtier de contrôle à distance doit être installé en position verticale sur un mur vertical. Si le boîtier de contrôle à distance est installé en position horizontale, du liquide risque de s'accumuler à l'intérieur et provoquer une décharge électrique.

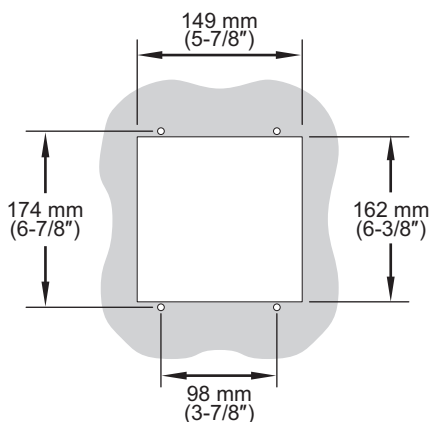
AVIS

Installez le boîtier de contrôle distant hors de la zone chauffée. Si vous placez le boîtier de contrôle dans la zone chauffée, cela pourrait provoquer des surchauffes, des dysfonctionnements ou des défaillances des commandes.

Ne modifiez pas le câblage et ne coupez pas le câble capillaire du thermostat du boîtier de contrôle pour augmenter la distance d'installation de la commande à distance. Si vous coupez le câble capillaire du thermostat, cela risque de provoquer une surchauffe et des dommages à l'appareil ainsi qu'au comptoir.

NOTA: Les branchements des appareils à l'alimentation électrique doivent être faits par un électricien qualifié.

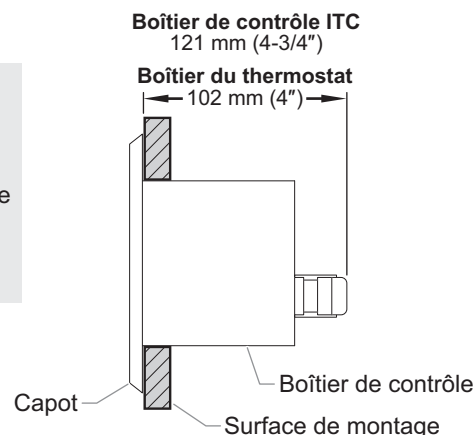
1. Préparez la découpe et pré-percez les orifices des vis (consultez l'illustration ci-dessous pour connaître les dimensions).
2. Retirez le capot du boîtier de contrôle.
3. Placez le boîtier de contrôle dans l'ouverture par l'arrière.
4. Fixez le boîtier de contrôle à la surface à l'aide des vis (non fournies).



Vue de Face de la Découpe

REMARQUE IMPORTANTE :

Assurez-vous que l'emplacement choisi présente assez de place pour les branchements électriques au boîtier électrique.



Vue de côté du boîtier installé

Boîtiers de commande montés à distance

5. Branchez une alimentation électrique adaptée au boîtier de contrôle distant.
6. Réinstallez le capot.

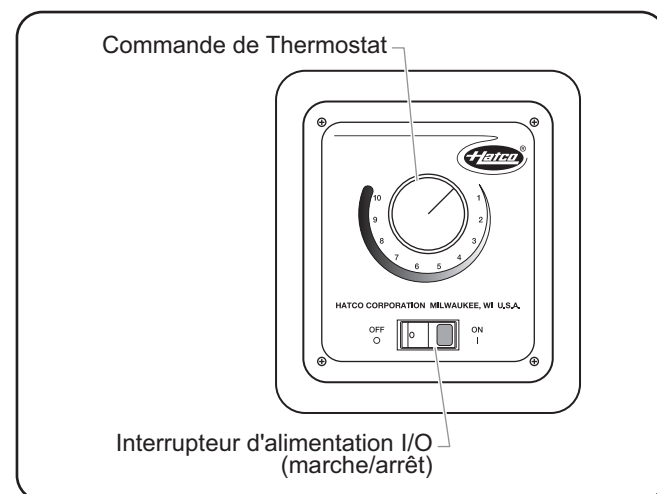
NOTA: Les appareils sont équipés d'une gaine de câbles de 914 mm (36") pour brancher le boîtier de contrôle sur l'appareil.

Interrupteur d'alimentation I/O (marche / arrêt)

Les deux boîtiers de commande à distance encastrables intègrent un interrupteur d'alimentation I/O (marche/arrêt). Placez interrupteur d'alimentation I/O (marche/arrêt) sur la position I (marche) pour allumer l'appareil. Le témoin lumineux de l'interrupteur s'allume lorsque l'appareil est en marche.

Changer la température nominale — Contrôle mécanique de la température

Tournez le contrôle de la température dans le sens des aiguilles d'une montre pour augmenter la température nominale. Tournez le contrôle de la température dans le sens inverse des aiguilles d'une montre pour réduire la température nominale.



Contrôle mécanique de la température

Changer la température nominale — Régulateur numérique de la température

Une fois allumés, les appareils munis du régulateur numérique de la température chaufferont automatiquement jusqu'à la température nominale. Suivez la procédure ci-après pour programmer la température nominale.

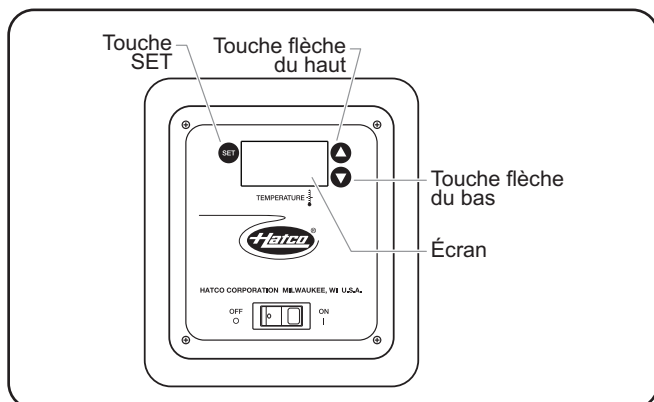
AVIS

Les appareils intégrés ne doivent pas atteindre un point de consigne de température supérieur à 93 °C (200 °F). Les températures dépassant les 93 °C (200 °F) endommagent l'appareil et annulent la garantie.

NOTA: La température affichée à l'écran peut s'avérer inexacte lorsque la température de l'appareil est inférieure à 54 °C (130 °F).

1. Appuyez 3 fois sur la touche **SET**. La température nominale actuelle s'affichera sur l'écran TEMPÉRATURE (le signe « SP » s'affichera après la deuxième pression).
2. Appuyez sur la touche ▲ ou ▼ dans les 10 secondes pour modifier la température nominale.
3. Appuyez sur la touche **SET** pour verrouiller la nouvelle température nominale. L'affichage TEMPÉRATURE restera vierge pendant deux secondes puis indiquera que les nouveaux paramètres ont été acceptés.

NOTA: Après dix secondes d'inactivité au cours de la programmation, le régulateur quittera automatiquement le mode programmation sans mémoriser la nouvelle valeur.



Régulateur de température numérique

Alternance entre l'affichage Fahrenheit et Celsius — Régulateur numérique de la température

Utilisez la procédure ci-après pour alterner entre l'affichage Fahrenheit et Celsius.

1. Appuyez une fois sur la touche **SET**. Saisissez « F » pour un affichage en Fahrenheit ou « C » pour un affichage en Celsius.
2. Appuyez sur la touche ▲ ou ▼ dans les 10 secondes pour alterner entre l'affichage « F » (Fahrenheit) et « C » (Celsius).
3. Appuyez trois fois sur la touche **SET** pour verrouiller le nouveau paramètre. L'affichage TEMPÉRATURE restera vierge pendant deux secondes puis indiquera que les nouveaux paramètres ont été acceptés.

NOTA: Après dix secondes d'inactivité au cours de la programmation, le régulateur quittera automatiquement le mode programmation sans mémoriser la nouvelle valeur.

Pieds réglables de 102 mm (4") (modèles GRSS uniquement)

Suivre la procédure suivante pour monter les pieds réglables de 102 mm (4") à la place des pieds en caoutchouc sur un appareil GRSS.

NOTA: Les pieds de 102 mm (4") sont inclus avec les modèles de plus d'914 mm (36") de large.

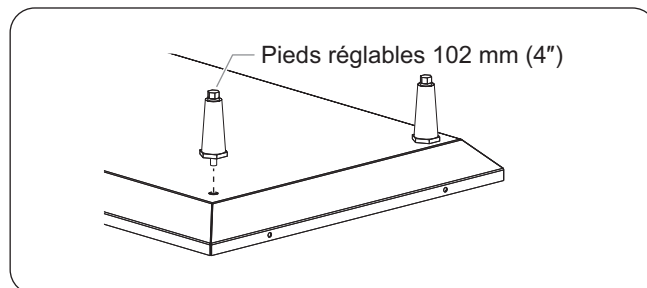
AVERTISSEMENT

DANGER DE DÉCHARGE ÉLECTRIQUE: Mettez l'unité hors tension depuis l'interrupteur, débranchez le cordon d'alimentation et laissez l'unité refroidir avant d'effectuer tout nettoyage, tout réglage ou tout entretien.

AVIS

Ne couchez pas l'unité sur le côté comportant le panneau de commande. L'unité pourrait être endommagée.

1. Mettre l'appareil hors tension et laisser refroidir l'appareil.
2. Retourner avec précaution l'appareil et le poser sur une surface plate. S'assurer de recouvrir la surface afin d'éviter toute éraflure.
3. À chaque coin de la base, enlevez la vis du pied puis le pied en caoutchouc.



Installation des pieds de 102 mm (4")

4. À chaque coin de la base, vissez un pied de 102 mm (4") sur le dessous de la base.

NOTA: Les pieds de 102 mm (4") sont réglables pour mettre à niveau l'appareil. Utiliser une clé à fourche de 16 mm (5/8") pour effectuer des réglages de mise à niveau une fois que l'appareil est placé dans sa position finale.

Partie supérieure creuse pour les modèles GRSSB

Une partie supérieure creuse en option est disponible pour les modèles GRSSB. Les appareils dotés de cette partie supérieure creuse disposent d'une surface chauffante située en dessous du niveau de la surface du comptoir.

1. GARANTIE DU PRODUIT

Hatco garantit que les produits qu'il fabrique (les " produits ") seront dépourvus de vices de matériel, dans des conditions normales d'utilisation et de maintenance, pendant une période d'un (1) an à partir de la date d'achat à condition qu'ils soient installés et entretenus conformément aux instructions écrites de Hatco ou de 18 mois à partir de la date d'expédition de l'usine Hatco. L'acheteur doit prouver la date d'achat du Produit par l'enregistrement du produit auprès de Hatco ou par d'autres moyens satisfaisants pour Hatco, à sa seule discrétion.

Hatco garantit que les composants du produit suivant ne présentent aucuns défauts dans les matériaux employés pour leur construction, à partir de la date d'achat (sujet aux conditions en vigueur), pour la (les) période(s) de temps listées ci-dessous:

a) Deux (2) ans de garantie des pièces :

Les éléments de grille-pain de la rampe (gaine métallique)
 Éléments de tiroir chauffant (gaine métallique)
 Tiroir chauffant Rouleaux chauffants et Glissières
 Éléments de rampe chauffante (gaine métallique)
 Vitrine chauffante (gaine métallique, chauffage par air)
 Éléments d'armoire de stockage
 (gaine métallique, chauffage par air)
 Éléments de puits chauffant intégrés — des séries HWB
 (gaine métallique)

b) Cinq (5) ans de garantie des pièces :

Réservoirs 3CS et FR

c) Dix (10) ans de garantie des pièces :

Chauffe-eau d'appoint électriques
 Chauffe-eau d'appoint au gaz

d) Quatre-vingt dix (90) jours de garantie des pièces :

Pièces détachées de rechange

LES GARANTIES PRÉ-CITÉES SONT EXCLUSIVES ET EN LIEU DE TOUTES AUTRES GARANTIES, EXPRIMÉES OU IMPLICITES, INCLUANT MAIS NON LIMITÉ À TOUTE GARANTIE COMMERCIALE OU DE COMPATIBILITÉ POUR UN PROPOS PARTICULIER OU TOUTE VIOLATION DE BREVET OU AUTRE DROIT DE PROPRIÉTÉ INTELLECTUELLE. Sans limitation quand aux garanties pré-citées, DE TELLES GARANTIES NE COUVRENT PAS: Les ampoules à incandescence enduites, les lampes fluorescentes, les ampoules de lampes chauffantes, les ampoules halogènes enduites, les ampoules chauffantes halogènes, Ampoules au xénon, tubes à DEL, les éléments en verre et les fusibles; la défaillance de produit dans le réservoir d'appoint, l'échangeur de chaleur à tube fin, ou d'autres équipements de chauffage d'eau provoquée par le collage, l'accumulation de sédiments, les attaques chimiques ou le gel, ou une mauvaise utilisation, manipulation ou application du produit, une mauvaise installation, ou l'application de tension inadaptée.

2. LIMITATION DES REMÈDES ET DOMMAGES

La responsabilité de Hatco et le recours exclusif de l'acheteur ci-dessous seront limités seulement au remplacement de tout ou partie du produit en utilisant, au choix de Hatco, les pièces neuves ou remises à neuf ou le produit par Hatco ou un organisme de réparations agréé Hatco à l'égard de toute réclamation faite dans le délai de la garantie applicable mentionnée ci-dessus. Hatco se réserve le droit d'accepter ou de rejeter toute réclamation de ce type en tout ou partie. Dans le contexte de cette garantie limitée, « remis à neuf » signifie qu'une pièce ou un produit a été ramené à ses caractéristiques techniques par Hatco ou par un centre de réparation agréé par Hatco. Hatco n'acceptera pas le renvoi de tel produit que ce soit sans une autorisation écrite préalable de Hatco, et les coûts d'expédition des renvois approuvés sont à la charge exclusive de l'acheteur. HATCO NE PEUT ÊTRE TENU RESPONSABLE, SOUS AUCUNE CIRCONSTANCE, POUR DES DOMMAGES CONSÉCUTIFS OU INCIDENTS, INCLUANT MAIS NON LIMITÉS AU COÛT DE LA MAIN D'ŒUVRE OU A LA PERTE DE PROFIT RÉSULTANT DE L'UTILISATION OU DE L'IMPOSSIBILITÉ D'UTILISER LES PRODUITS OU DU FAIT QUE LE PRODUIT SOIT INCORPORÉ OU DEVIENNE UN COMPOSANT D'UN AUTRE PRODUIT OU MARCHANDISE.

INFORMATIONS DE SERVICE

La plaque chauffante en pierre de Hatco est d'un an à partir de la date d'achat ou de 18 mois à partir de la date d'expédition de Hatco, selon la première échéance.

En cas de problème avec le plaque chauffante en pierre Glo-Ray durant la période de garantie, procéder comme suit:

Contacteur un Revendeur Hatco

Se tenir prêt à lui fournir les informations suivantes pour garantir un traitement rapide:

- Modèle
- Numéro de Série (situées en bas de l'appareil)
- Problème Spécifique
- Date d'achat
- Nom de l'entreprise
- Adresse d'expédition
- Nom de la Personne à Contacter et Téléphone

Ensuite, le Revendeur Hatco:

- Fournira les pièces détachées requises
- Enverra la réclamation sous garantie à Hatco pour traitement

Problèmes non liés à la garantie

En cas de problème hors garantie exigeant une assistance, contactez le centre de SAV agréé par Hatco le plus proche.

Pour trouver le centre de SAV le plus proche :

- allez sur notre site Web www.hatcocorp.com, sélectionnez le menu déroulant Resources, puis cliquez sur « Find Service Agent/Distributor »
- appelez le SAV Hatco au 414-671-6350
- envoyez un courriel au SAV Hatco à partsandservice@hatcocorp.com

GB Symbol Identification

ES Identificación de los símbolos

FR Identification de Symbole



Caution — Hot Surface
Precaución: superficie caliente
Attention - Surface Chaude



Power ON
Encendido
Puissance Sur



Power OFF
Apagado
Hors Tension



Standby
En espera
Veille



Protective Earth Ground
Puesta a tierra protectora
La Terre de Protection



Earth Ground
Puesta a tierra
Mise à la Terre



Equipotential Ground
Masa equipotencial
Rez de Potentiel



Alternating Current
Corriente alterna
Courant Alternatif



Water Fill, Low Water
Llenado de agua, bajo nivel de agua
Remplir d'eau, Bas Niveau d'eau



Humidity, Humidity Cycle
Humedad, ciclo de humedad
Humidité, Cycle Humidité

HATCO CORPORATION

P.O. Box 340500

Milwaukee, WI 53234-0500 U.S.A.

Telephone 414-671-6350

International Fax 414-671-3976

partsandservice@hatcocorp.com

www.hatcocorp.com

Register online!

See IMPORTANT OWNER INFORMATION
for more information.

¡Regístrese en línea!

Consulte la sección INFORMACIÓN IMPORTANTE
PARA EL PROPIETARIO para obtener información.

S'inscrire en ligne!

Lisez la section INFORMATIONS IMPORTANTES
POUR LE PROPRIETAIRE pour plus de informations.