



OPERATOR'S M A N U A L

ELECTRIC BUN WARMER

MODEL

BW-100

BW-4

BW-4/3

BW-6

BW-8



HENNY PENNY
Engineered to Last™

REGISTER WARRANTY ONLINE AT WWW.HENNYPENNY.COM

Henny Penny Electronic Bun Warmer

SAFETY

The instructions in this manual have been prepared to aid you in learning the proper procedures for your bun warmer. Where information is of particular importance or is safety related, the words NOTICE, CAUTION, or WARNING are used. Their usage is described below.



SAFETY ALERT SYMBOL is used with DANGER, WARNING, or CAUTION which indicates a personal injury type hazard.



NOTICE is used to highlight especially important information.



CAUTION used without the safety alert symbol indicates a potentially hazardous situation which, if not avoided, may result in property damage.



CAUTION used with the safety alert symbol indicates a potentially hazardous situation which, if not avoided, may result in minor or moderate injury.



WARNING indicates a potentially hazardous situation which, if not avoided, could result in death or serious injury.

INSTALLATION

The bun warmer is available from the factory as a 120 or 240 VAC unit. The data plate, located on the side of the module, will specify the correct electrical supply. The unit requires a grounded receptacle with a separate electrical line protected by a fuse or circuit breaker of the proper rating. If the unit is connected to electrical supply with a plug and receptacle, the plug must be in an accessible location, or the unit must be hard wired.



This unit must be adequately and safely grounded. Refer to local electrical codes for correct grounding procedures. If fryer is not adequately grounded, electrical shock could result.

After the bun warmer has been set into position and leveled, run a bead of silicone rubber (silicone or equivalent sealant must be a NSF listed material) around the perimeter of the unit sealing it to the surface. You are now ready to make the electrical connections to the unit. **NOTE: Excludes BW-100**

**OPERATING AND
PROGRAMMING
INSTRUCTIONS**

NOTICE

Due to the lower temperature settings, this unit has been designed to hold NON-POTENTIALLY HAZARDOUS FOOD ONLY. This unit will NOT hold potentially hazardous food at a safe temperature

1. Turn power switch to the ON position.
2. After a sequence of codes the display shows the time of day, or "ON".

NOTICE

Press and hold the TEMP button to view the actual temperature of the unit.

Temperature Setpoint Programming

1. Press and hold the TEMP button for 6 seconds. The actual temperature shows first followed by the flashing setpoint temperature.
2. While holding in on the TEMP button, press and release the SET button. Now the setpoint temperature blinks at a faster rate. Now release the TEMP button.
3. Press the UP and DOWN buttons to change the setpoint temperature.
4. Once the desired setpoint temperature (preprogrammed maximum temperature) is reached, press the SET button to return to normal operation mode and the setpoint is saved.

"Time of Day" Programming

Press and hold the SET button while using the UP and DO buttons to set the desired time. When the SET button is released, the time is saved.

SPECIAL PROGRAMMING

1. With POWER switch off, press and hold both the UP and DOWN buttons, and then turn the POWER switch on until "SP" shows on the display. Release the UP and DOWN buttons, and "°F" or "°C" shows on the display.
2. Press the UP or DOWN buttons to toggle from "°F" to "°C", or "°C" (Celsius) to "°F" (Fahrenheit).

SPECIAL PROGRAMMING
(Continued)

3. Press the SET button, and “CAL” shows in the display. Press and hold TEMP button, and press the UP and DOWN buttons to match the display with the actual temperature.
4. Press the SET button, and “CPU” shows in the display. Press and hold TEMP button to view the CPU (control PCB) temperature.
5. Press the SET button, and “OutPutS” shows in the display. Press the TEMP button to turn the relays, display and heaters, OFF and ON.
6. Press the SET button, and “In-” shows in the display. Press and hold either the UP or DOWN button until “In- SYS” shows in the display. This programs factory settings back into the controls.
7. Press the SET button. If “C=y” shows in the display, the time of day shows in the display during normal operation. If “C=n” shows in the display, “ON” shows in the display during normal operation. Press the UP and DOWN buttons to toggle from one to the other.

CLEANING INSTRUCTIONS

1. Turn the unit to the OFF position.
2. Disconnect electrical supply to the unit.



To avoid burns, allow the unit to cool before cleaning.

3. Open doors and wipe down racks.
4. Clean doors with a non-abrasive, soft cloth and mild soap. Do not use ammonia.



Do not use steel wool, other abrasive cleaners or cleaners/sanitizers containing chlorine, bromine, iodine or ammonia chemicals, as these will deteriorate the stainless steel material and shorten the life of the unit.

Do not spray the unit with water, such as with a garden hose. Failure to follow this caution could cause component failure.

5. Clean the interior and exterior of the unit with a soft cloth, soap, and water.

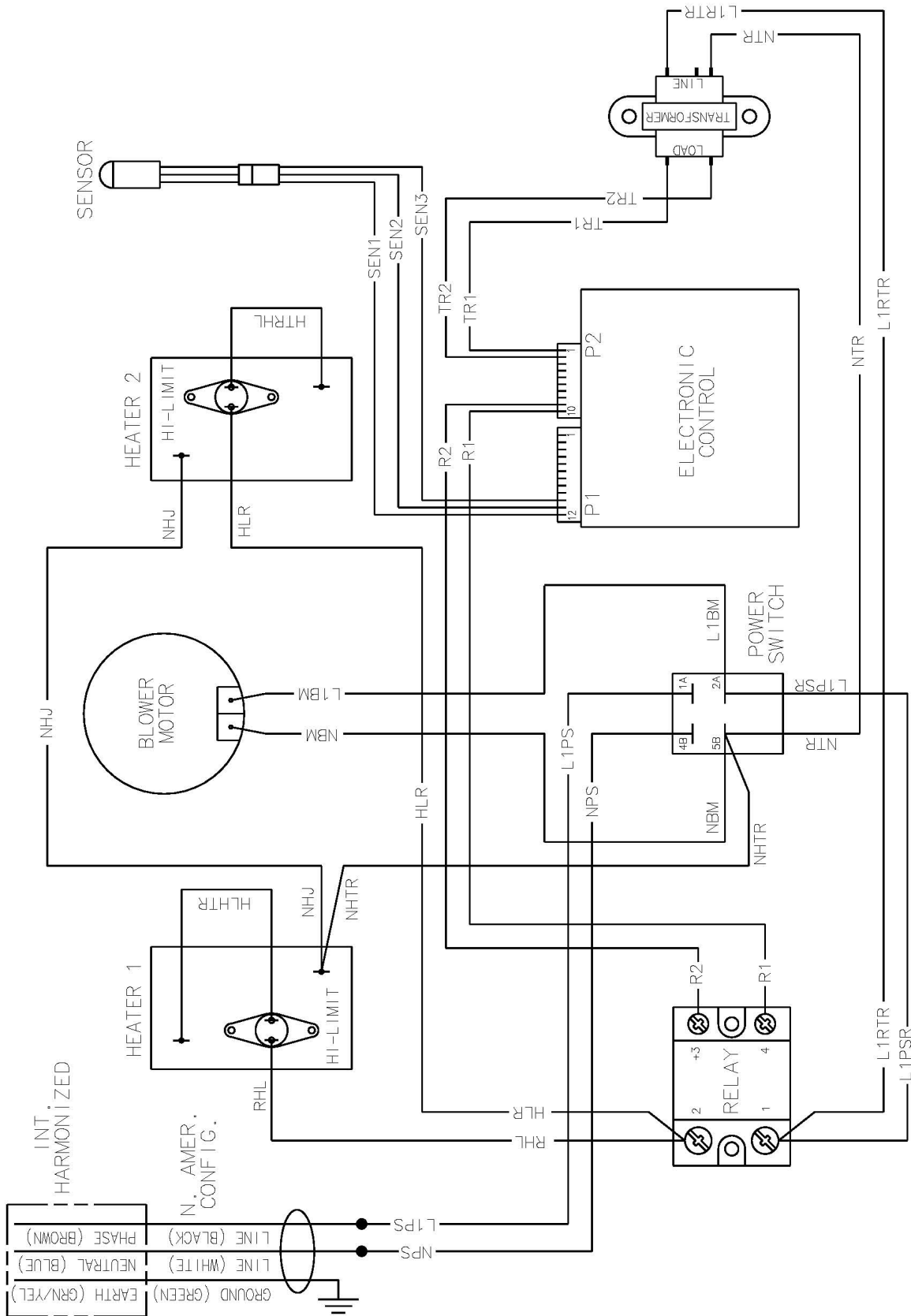
BW-100, BW-4, BW-4/3, BW-6 & BW-8 REPLACEMENT PARTS

Part No.	Description	BW-8	BW-4	BW-6 4/3	BW-100
B 40667	Heater - 250 W - 120 Volt - BW-1	-	-	-	2
B 27943	Heater - 810 W - 240 Volt.....	2	-	2	-
B 44529	Heater - 810 W - 120 V (BW-4 - Prod. no. 05184 only)	2	2	2	-
B 44919	Heater - 500W - 240V - BW-4.....	-	2	-	-
B 44404	Heater - 500W - 120V - BW-4.....	-	2	-	-
B 48061	Heater - Coil 250W 240V.....	2	2	2	-
B 50000	Blower - High Temperature - 240 Volt - 50 Hz.	2	2	2	-
B 63094	Blower - High Temperature - 120 Volt	2	2	2	-
B 63363	Blower - 120 Volt - BW-100.....	-	-	-	1
B 63361	Blower- Motor 240V	-	-	-	1
37434	Fan Blade	2	1	1	-
63360	Fan Blade - BW-100	-	-	-	1
B 40645	Relay - 25A - Solid State	1	1	1	1
A 72277	Power Switch	1	1	1	1
PL01-014	Plug Button 1-1/16"	1	1	1	-
PL01-004	Plug Button - 7/8"	1	1	1	-
PL01-001	Plug Button- 1/2"	-	-	-	2
A 27071	High Limit - 380 Deg. F	2	2	2	2
A 18201	High Limit (BW-4 - 05184) - 335 Deg. F.....	-	2	-	-
27639	Strain Relief.....	1	1	1	-
24305	Middle Door - Sliding - BW-8.....	1	-	-	-
24306	Outer Door - Sliding - BW-8	2	-	-	-
24304	Door - Sliding - BW-6	-	-	2	-
24303	Door - Sliding - BW-4	-	2	-	-
24657	Door - Sliding - Middle-3 Tier BW (BW-4/3).....	-	2	-	-
94126	Pane- BW-100 Door	-	-	-	1
44526	Door Assy. - Flip Up - LH - BW-4	-	2	-	-
44527	Door Assy. - Flip Up - RH - BW-4	-	2	-	-
50656	Door Assy. - Flip Up - Solid Back.....	-	-	1	-
44234	Glass Only - Flip Up Door.....	-	2	-	-
38072	Rack - Middle - 8 ft. Bun Warmer - SN: CX054JB and below	1	-	-	-
24622	Rack - Middle - 8 ft. Bun Warmer - SN: CX055JB and above	1	-	-	-
38007	Rack - 8 ft. Bun Warmer - Bottom.....	1	-	-	-
40669	Rack - 4 ft. Bun Warmer	1	-	-	-
54071	Rack / BW-4 (Jack in the Box Only).....	-	1	-	-
55124	Rack / BW-4 Pass Thru (Jack in the Box Only).....	-	1	-	-
44460	Sheet Metal Rack - SN: CX048JB and below - BW-4	-	-	2	-
24621	Sheet Metal Rack - SN: CX049JB and above - BW-4	-	-	2	-
91381	Rack - BW-100	-	-	-	4
B 58929	Sensor Assembly.....	1	1	1	-
27555	Power Cord Assembly	1	1	1	1
92716	Power Cord BW-100.....	-	-	-	1
B 59188	Control Board Assembly.....	1	1	1	1
B 95658	Panel-Control BW-100	-	-	-	1
44494	Door Gasket - BW-4	-	1	-	-
48683	Power Cord - CE.....	1	1	1	1
61511	Decal - Wendy's.....	1	1	1	1
61514	Decal - GM - BW-4/6/8	1	-	1	-
B 30978	Transformer - 120VP-12VS-20VA	1	1	1	1
B 28979	Transformer - 208/240VP-12VS	1	1	1	-
95641	Pully	-	-	-	2
96184	Counter-weight cable.....	-	-	-	2
96164	Roller	-	-	-	4

Recommend Parts: A=Truck Stock/B=Dist. Stock

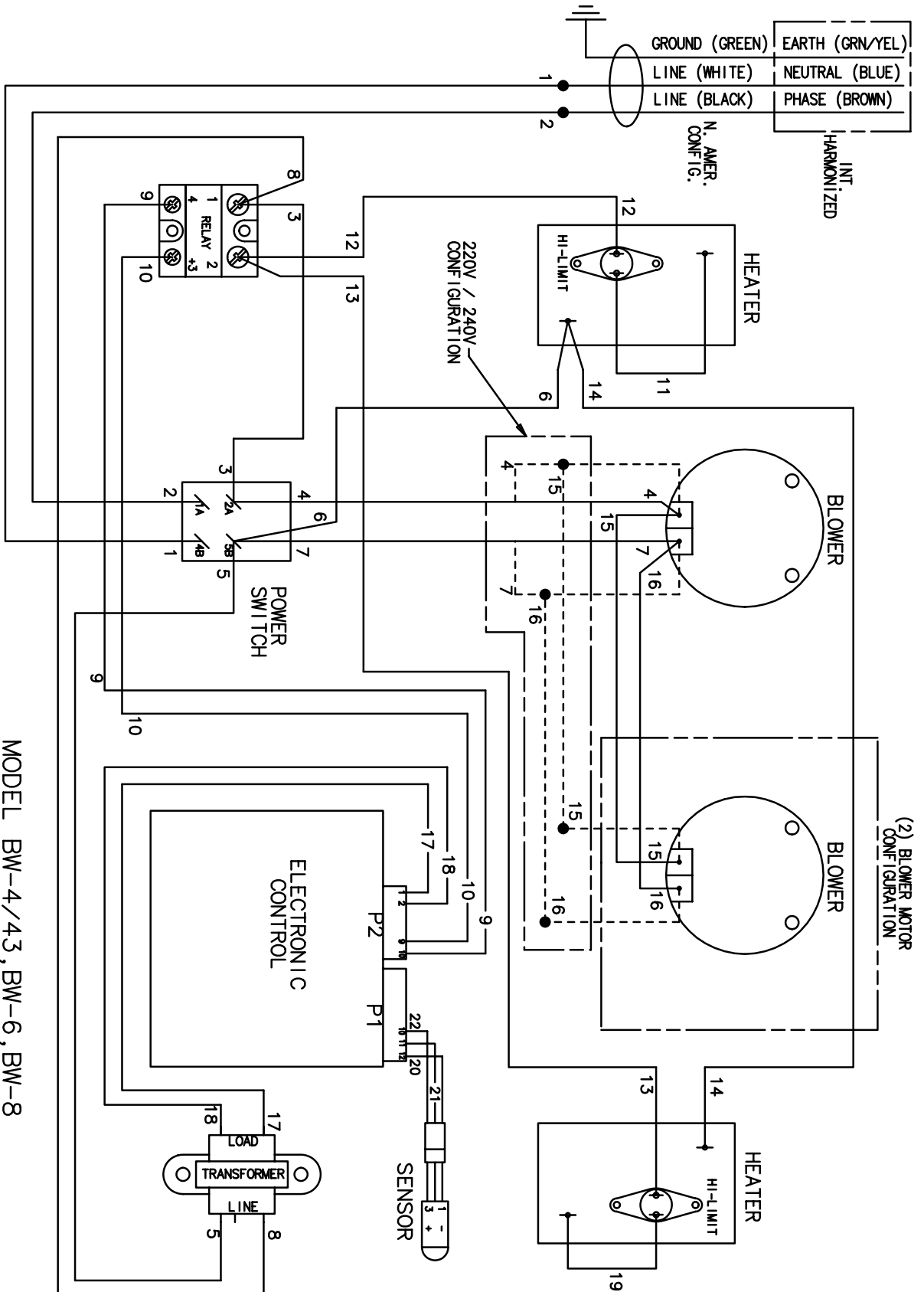
ERROR CODES

DISPLAY	CAUSE	PANEL BOARD CORRECTION
"E-4"	Control board overheating	Turn POWER switch to OFF then back ON; if display still shows "E-4", the unit is overheating or louvers are clogged
"E-6"	Faulty temperature temperature probe	Check probe for loose connection or probe faulty
"E-41"	Memory scrambled	Press and hold the UP and DOWN buttons and turn unit on. After SP shows on display, press SET button twice. Then press and hold the UP or DOWN button until In-SYS shows in display; if "E-41" persists, replace the control board
"Hi"	Unit overheating; faulty relay or control board	Have relay or control board replaced



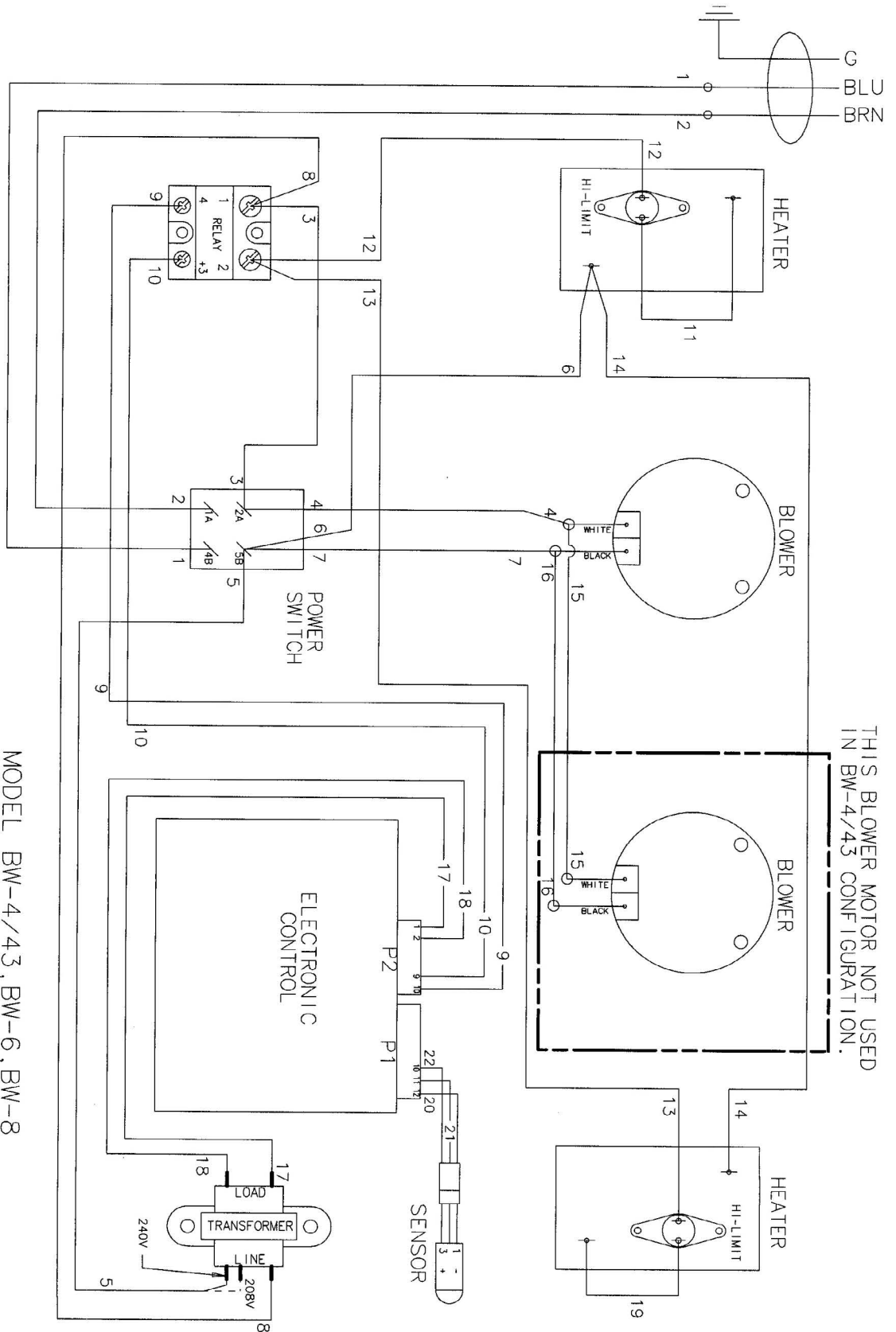
MODEL BW-100
120V 50-60HZ 1PH
HENNY PENNY CORP
EATON, OH 45320

88108A



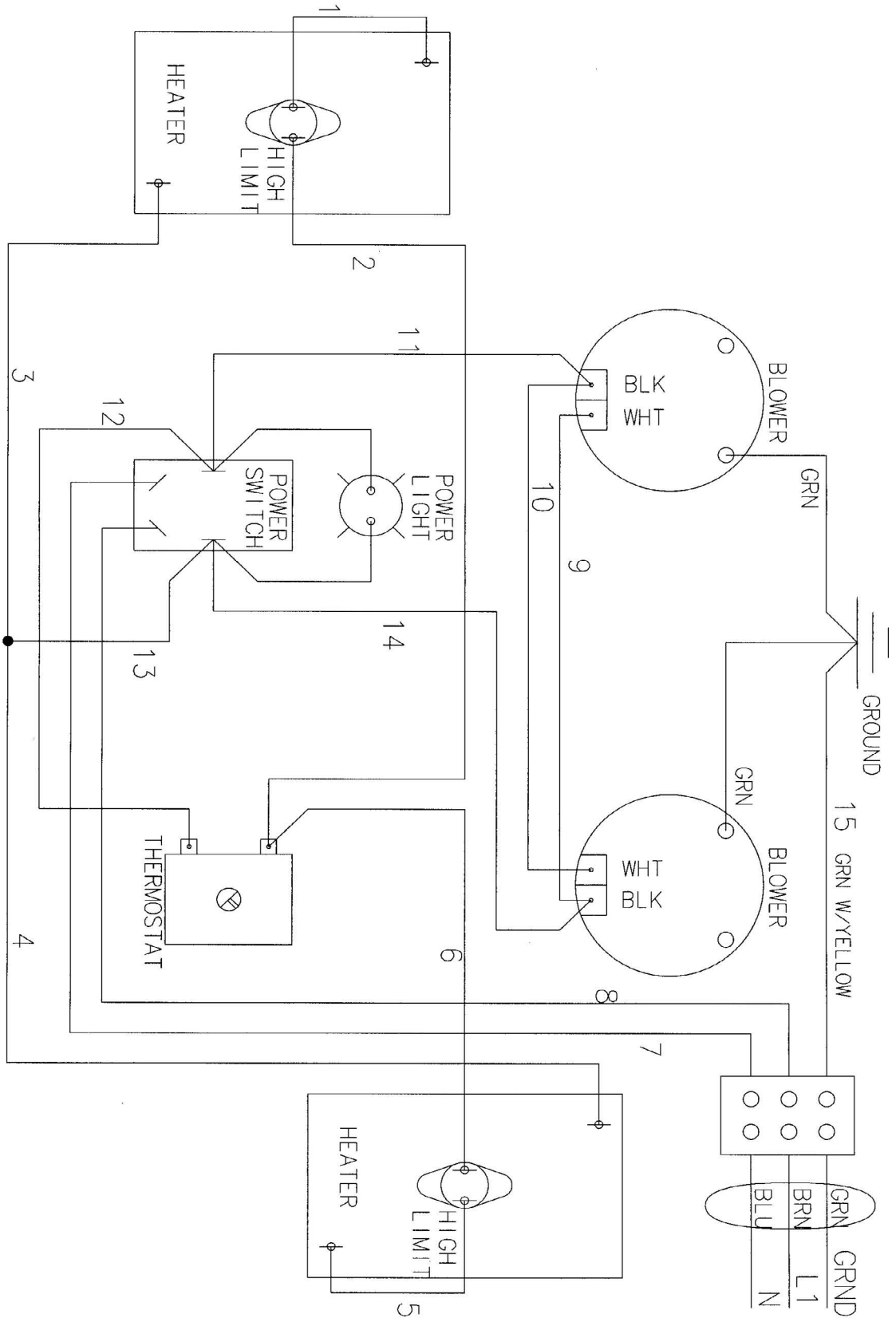
MODEL BW-4/4/3, BW-6, BW-8
120-240V 50-60HZ 1PH
HENNY PENNY CORP
EATON, OH 45320

58927



MODEL BW-4/43, BW-6, BW-8
208/240V 50-60HZ 1PH
HENNY PENNY CORP
EATON, OH 45320

58664



MODEL BW-6 / BW-8
230V 50-60HZ 1PH
HENNY PENNY CORP
EATON, OHIO 45320

48690



Henny Penny Corporation
P.O.Box 60
Eaton, OH 45320

1-937-456-8400
1-937-456-8402 Fax

Toll free in USA
1-800-417-8417
1-800-417-8434 Fax

www.hennypenny.com