

|         |          |         |
|---------|----------|---------|
| PROJECT | QUANTITY | ITEM NO |
|---------|----------|---------|

# SmartHold® Holding Cabinet

## with automatic humidity control

**HHC 980** Full size



HHC 980 *SmartHold* full-size heated holding cabinet with automatic humidity control

Henny Penny *SmartHold* humidified holding cabinets create and maintain ideal conditions for holding a wide variety of hot foods over extended periods of time prior to serving.

The *SmartHold* patented automatic humidity control system links water pan heat, fans, and ventilation. This closed loop control automatically measures and maintains precise humidity levels in one-percent increments from 10% to 90% relative humidity.

With such precise humidity control, operators can hold practically any type of food for exceptionally long periods of time without sacrificing freshness or presentation. This translates into higher food quality and less waste throughout the day.

Longer holding times give you the ability to cook in larger quantities during off-peak hours and still serve

delicious foods that look and taste like they were freshly prepared. Traditional “hard-to-hold” items like pizza can be held *twice* as long as most holding cabinets.

The *SmartHold* HHC 980 gives you the control to hold at lower temperatures—as low as 140°F (60°C). Great for delicate items like baked fish, eggs, baked potatoes and rice. And with autofill feature, the water pan never runs low.

Fully insulated cabinet and tight sealing doors contribute to energy efficient operation. Quick-response humidity generation helps maintain precise humidity and food quality during use. Self-closing doors provide for more efficient workflow.

Operators can choose from two different shelf runner styles to better match their application.

### Standard Features

- Patented closed loop humidity control:
  - Maintains any humidity level between 10% and 90% RH
  - Exclusive automatic venting
  - Self-diagnostic system
  - Easy to clean and service
- Constant humidity/temperature display
- Separate humidity/temperature set points
- Lower holding range: 140° (60° C)
- 3 gal (11.4 L) stainless steel recessed heated water pan
- Automatic water fill
- Low water warning light
- Timer alert signal
- Quick-response humidity generation
- Dual heavy-duty blower motors
- Ventilated side racks
- Fully insulated doors, sidewalls and control module
- Full perimeter door gasket
- 10 shelf runners, choice of L or C profile
- Partial pan removal for convenient loading and unloading (C-profile runners, only)
- Self-closing, lift-off doors stay open past 90 degrees
- Magnetic door latch and heavy-duty plated hinges
- Stainless steel construction for easy cleaning and long life
- 4 casters, 5 in (127 mm), 2 locking
- Optional hose drain connection

### Please specify desired configuration

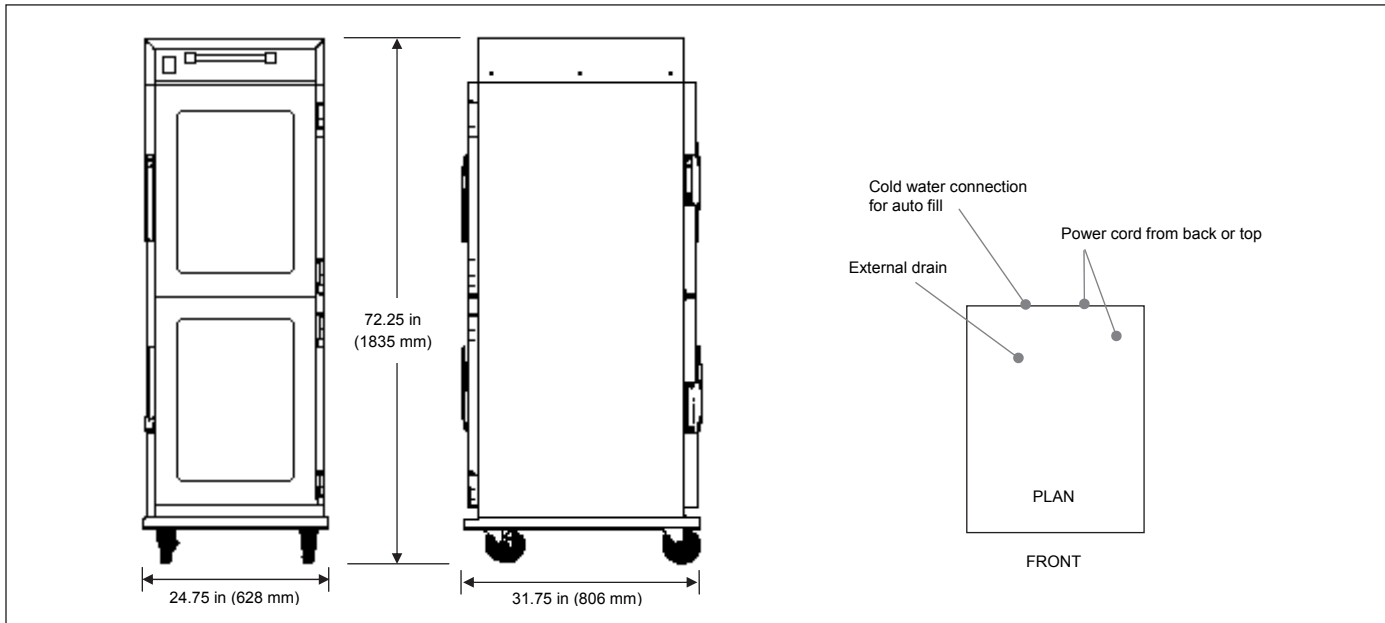
- Doors
  - Stainless steel
  - Double-pane glass
- Door hinge
  - Right
  - Left
- Shelf runners (see back)
  - 10 L-profile
  - 10 C-profile
- Style
  - Pass-through
  - Solid back

|                                   |  |                                   |
|-----------------------------------|--|-----------------------------------|
| <input type="checkbox"/> APPROVED | <input type="checkbox"/> APPROVED AS NOTED | <input type="checkbox"/> RESUBMIT |
| AUTHORIZED SIGNATURE              |  | DATE                              |



# SmartHold® Holding Cabinet

with automatic humidity control

**HHC 980** Full size

**Dimensions**

|        |                    |
|--------|--------------------|
| Height | 72.25 in (1835 mm) |
| Width  | 24.75 in (628 mm)  |
| Depth  | 31.75 in (806 mm)  |

**Crated**

|        |  |
|--------|--|
| Length | 75 in (1900 mm)                          |
| Depth  | 36 in (900 mm)                           |
| Height | 31 in (790 mm)                           |
| Volume | 48 ft <sup>3</sup> (1.4 m <sup>3</sup> ) |
| Weight | 367 lb (167 kg)                          |

**Required clearances** N/A

**Heat**

140°–210°F (60°–99°C)

**Humidity**

 OFF/ON 10%–90% RH  
 Water pan 3.0 gal (11.4 L)  
 2.0 gal (7.6 L) for operational use  
 0.25 in connection for auto water fill  
 External drain connection

**Capacity**

 Full-size sheet pans 18 x 26 in (457 x 660 mm)  
 10 shelf runners on 4.88 in (124 mm) centers  
 Please specify configuration:

- L-profile  
 C-profile

**Bidding specifications**

 Provide Henny Penny *SmartHold* model HHC 980 full-size humidified holding cabinet designed to generate ideal conditions for holding a wide variety of hot foods in quality condition for very long periods of time.

Unit shall incorporate:

- A patented closed loop control system to regulate precise temperatures and humidity levels
- Lower temperature limit 140°F (60°C) in normal holding range
- 3 gal (11.4 L) recessed water pan with auto water fill
- Choice of L-profile or C-profile shelf runners
- 300 grade stainless steel construction throughout
- Full cabinet circulation with two heavy-duty blower motors and ventilated side racks
- Perimeter door gasket, fully insulated sidewalls and control module
- 4 heavy-duty casters, 2 locking

**Electrical**

| Volts   | Phase | Hertz | kW   | Amps | Wire |
|---------|-------|-------|------|------|------|
| 120     | 1     | 50/60 | 2.88 | 24.0 | 2+G  |
| 120     | 1     | 50/60 | 2.68 | 22.3 | 2+G  |
| 208     | 1     | 50/60 | 2.88 | 13.8 | 2+G  |
| 240     | 1     | 50/60 | 2.88 | 12.0 | 2+G  |
| 240     | 1     | 50/60 | 2.68 | 11.2 | 2+G  |
| 220-240 | 1     | 50/60 | 2.80 | 11.6 | 1NG  |

All international voltages available

**Laboratory certifications**


Optional power cord and plug for USA and Canada

 120 V low  
 NEMA 5-20P

 120 V high  
 NEMA 5-30P

 240 V low  
 NEMA 6-15P

 208 V high  
 NEMA 6-20P


Continuing product improvement may subject specifications to change without notice.

**24 Hour Technical Support:**  
 Henny Penny Technical Service  
 800 417.8405  
[technicalservices@hennypenny.com](mailto:technicalservices@hennypenny.com)
**Henny Penny Corporation**  
 PO Box 60 Eaton OH 45320 USA

 +1 937 456.8400 800 417.8417  
 +1 937 456.8434 Fax 800 417.8434 Fax  
[www.hennypenny.com](http://www.hennypenny.com)

**Engineered to Last**