

| | | |
|---------|----------|---------|
| PROJECT | QUANTITY | ITEM NO |
|---------|----------|---------|

Rotisserie Spit Stands

RSS 012
RSS 016



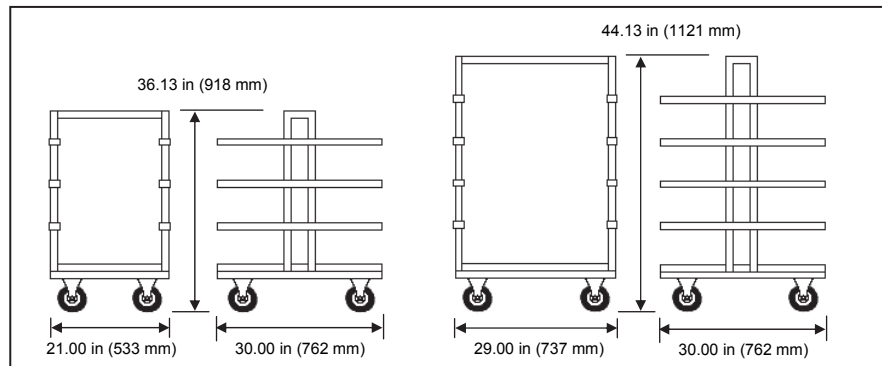
RSS 012 rotisserie spit stand



Henny Penny rotisserie spit stands make loading and unloading Henny Penny rotisserie easy and efficient. Simply place loaded spits or baskets on the rotisserie stand and take them where you need to go. Seasoning can be applied as you load the stand. A removable drip tray in the bottom of the stand catches drippings.

Designed to accommodate full load from stacked rotisserie:

- RSS 012 holds 12 spits (SCR 12)
- RSS 016 holds 16 spits (SCR 16)



Standard Features

- Welded stainless steel construction for strength and easy cleaning
- Accepts all types of Henny Penny rotisserie spits and baskets
- Removable drip tray
- 4 heavy-duty locking swivel casters 5 in (127 mm)

Bidding Specifications

Provide Henny Penny rotisserie display spit stand model RSS 12 or RSS 16 to hold and transport loaded rotisserie spits for use with SCR rotisseries.

Unit shall incorporate:

- Spit capacity for full load from stacked rotisserie
 - RSS 012 holds 12 spits (SCR 12)
 - RSS 016 holds 16 spits (SCR 16)
- Removable drip tray
- High-quality welded stainless steel for strength and easy cleaning
- Heavy duty locking casters

Laboratory certifications



| | RSS 012 | RSS 016 |
|------------------------------|--|--|
| Dimensions | | |
| Height | 36.13 in (918 mm) | 44.13 in (1121 mm) |
| Width | 21.00 in (533 mm) | 29.00 in (737 mm) |
| Depth | 30.00 in (762 mm) | 30.00 in (762 mm) |
| Crated | | |
| Length | 36 in (915 mm) | |
| Depth | 36 in (915 mm) | |
| Height | 50 in (1270 mm) | Contact Henny Penny |
| Volume | 38 ft ³ (1.1 m ³) | |
| Weight | 97 lb (44 kg) | |
| Capacity | | |
| Full load stacked rotisserie | 12 spits or baskets 4 per rack 3 racks on 8 in (203 mm) centers | 16 spits or baskets 4 per rack 4 racks on 8 in (203 mm) centers |

Continuing product improvement may subject specifications to change without notice.

| | | |
|-----------------------------------|--|-----------------------------------|
| <input type="checkbox"/> APPROVED | <input type="checkbox"/> APPROVED AS NOTED | <input type="checkbox"/> RESUBMIT |
| AUTHORIZED SIGNATURE | | DATE |

Henny Penny Corporation
PO Box 60 Eaton OH 45320 USA
+1 937.456.8400 800.417.8417
+1 937.456.8434 Fax 800.417.8434 Fax
+1.800.417.8405 Technical Support
www.hennypenny.com

HENNY PENNY
Engineered to Last