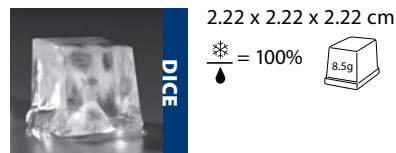
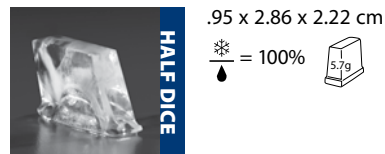


Indigo® Series 1406 Ice Cube Machine

- 50Hz ID-1406A ID-1406W ID-1496N
 IY-1406A IY-1406W IY-1496N



- New Levels of Performance
- EasyRead™ Display
- Programmable Ice Production
- Easy to Clean Food Zone
- Intelligent Diagnostics
- Acoustical Ice Sensing Probe
- DuraTech™ Exterior
- Available LuminIce® Growth Inhibitor



COMPANY WITH
QUALITY SYSTEM
CERTIFIED BY DNV
= ISO 9001:2008 =



Manitowoc Deutschland GmbH
Auf der Weih 11
35745 Herborn
Germany
Tel: 0 27 72 - 5805 0
Fax: 0 27 72 - 5805 70
E-mail: info@manitowoc-de.com
www.manitowoc-de.com

Manitowoc Foodservice Iberia, S.A.U.
C/ Textil, 6 Pol. Ind. La Ferreria
08110 Montcada i Reixac Barcelona
Barcelona Spain
Tel: (+34) 902 20 10 69
Fax: (+34) 93 348 15 09
E-mail: info@manitowocfsi.es
www.manitowocfsi.es

Manitowoc EMEA
www.manitowocice.com/emea

Manitowoc China
www.manitowoc.com.cn

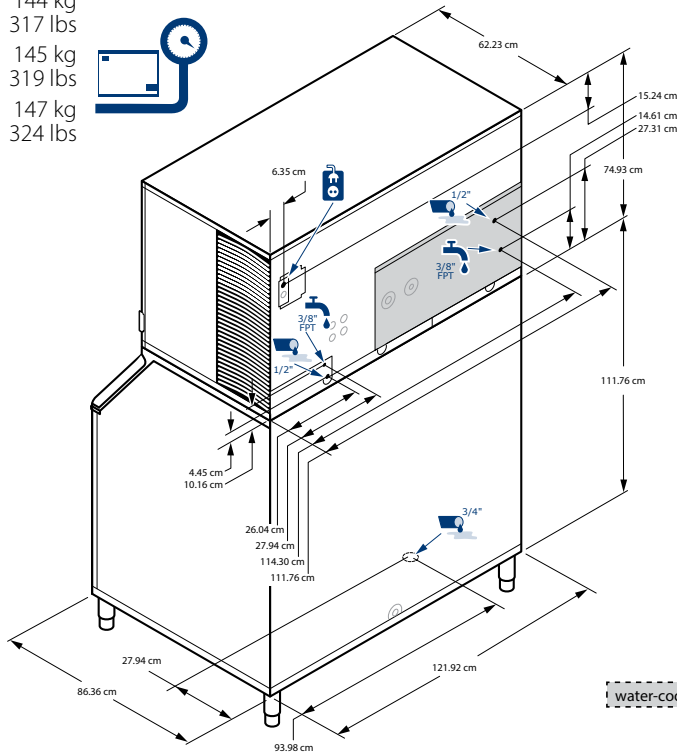
Manitowoc Latin America
www.manitowoclatam.com





i-1406 / B-970

- 144 kg
317 lbs
- 145 kg
319 lbs
- 147 kg
324 lbs



Minimum		Maximum
1.7°C 35°F		43.3°C 110°F
1.7°C 35°F		32.2°C 90°F
20psi 138 kPa		80psi 551 kPa
15.8	A	14.2
16.9		
		25 Amps
		25 Amps
		25 Amps

water-cooled only

Model	Compressor	Ice	24h		Energy [kWh] - 100 kg	Water	
			21°/10°C 70°/50°F	32°/21°C 90°/70°F		[l/h]	[gal/h]
ID-1406A		8.5g	709 kg 1564 lbs	538 kg 1186 lbs	10.0	37.5	9.9
IY-1406A		5.7g	722 kg 1593 lbs	570 kg 1256 lbs	9.5	39.7	10.5
ID-1406W		8.5g	690 kg 1522 lbs	577 kg 1272 lbs	8.3	40.1	10.6
IY-1406W		5.7g	691 kg 1593 lbs	579 kg 1303 lbs	8.3	40.1	10.6
ID-1496N		8.5g	670 kg 1477 lbs	564 kg 1243 lbs	9.3	39.4	10.4
IY-1496N		5.7g	678 kg 1496 lbs	568 kg 1253 lbs	9.3	39.4	10.4

*Add "E" for WRAS approved models (ie. ID1406AE). WRAS models not NSF listed.

This product is hermetically sealed and contains fluorinated greenhouse gas R404a

Manitowoc Deutschland GmbH
 Auf der Weih 11
 35745 Herborn
 Germany
 Tel: 0 27 72 - 5805 0
 Fax: 0 27 72 - 5805 70
 E-mail: info@manitowoc-de.com
 www.manitowoc-de.com

Manitowoc Foodservice Iberia, S.A.U.
 C/ Textil, 6 Pol. Ind. La Ferreria
 08110 Montcada i Reixac Barcelona
 Barcelona Spain
 Tel: (+34) 902 20 10 69
 Fax: (+34) 93 348 15 09
 E-mail: info@manitowocfsi.es
 www.manitowocfsi.es

Manitowoc EMEA
 www.manitowocice.com/emea

Manitowoc China
 www.manitowoc.com.cn

Manitowoc Latin America
 www.manitowoclatam.com

4929E_50hz ©2015 Manitowoc 3/15
 Specifications subject to change.

