

A Flexible Broiler for High Volume Locations

The **Nieco's JF74** dual belt broiler is the highest capacity electric broiler that features **BroilVection™** technology. The JF74 is designed to cook multiple products simultaneously, searing in char broiled flavor and adding the surface grill marks desired by your customer. This energy efficient unit is both simple to operate and easy to maintain. It is a perfect larger configuration for higher volume locations. Nieco's **BroilVection™** technology combines radiant reflective and convective heat to produce consistent results and reduce operating costs.

You'll Enjoy:

- Delicious Charbroiled Flavor and Color
- Energy Savings
- Less Kitchen Heat
- No Burner Replacement
- Easy to Operate and Maintain
- Faster Speed of Service

FEATURES

- Automatic Stack Feeder
- Patented **BroilVection™** Technology
- Multi Product Control
- Digital Controls
- Loads Pans Directly

OPTIONS

- Domestic or Export Electric

ACCESSORIES

- Incendalyst™ – Emission Control Catalyst
- Spare Parts Kit



THE TASTE YOU CAN COUNT ON

NIECO JF74

PERFECT FOR:
High-volume,
multiple
product,
electric
broiling



NIECO JF74



APPROVALS



Intertek



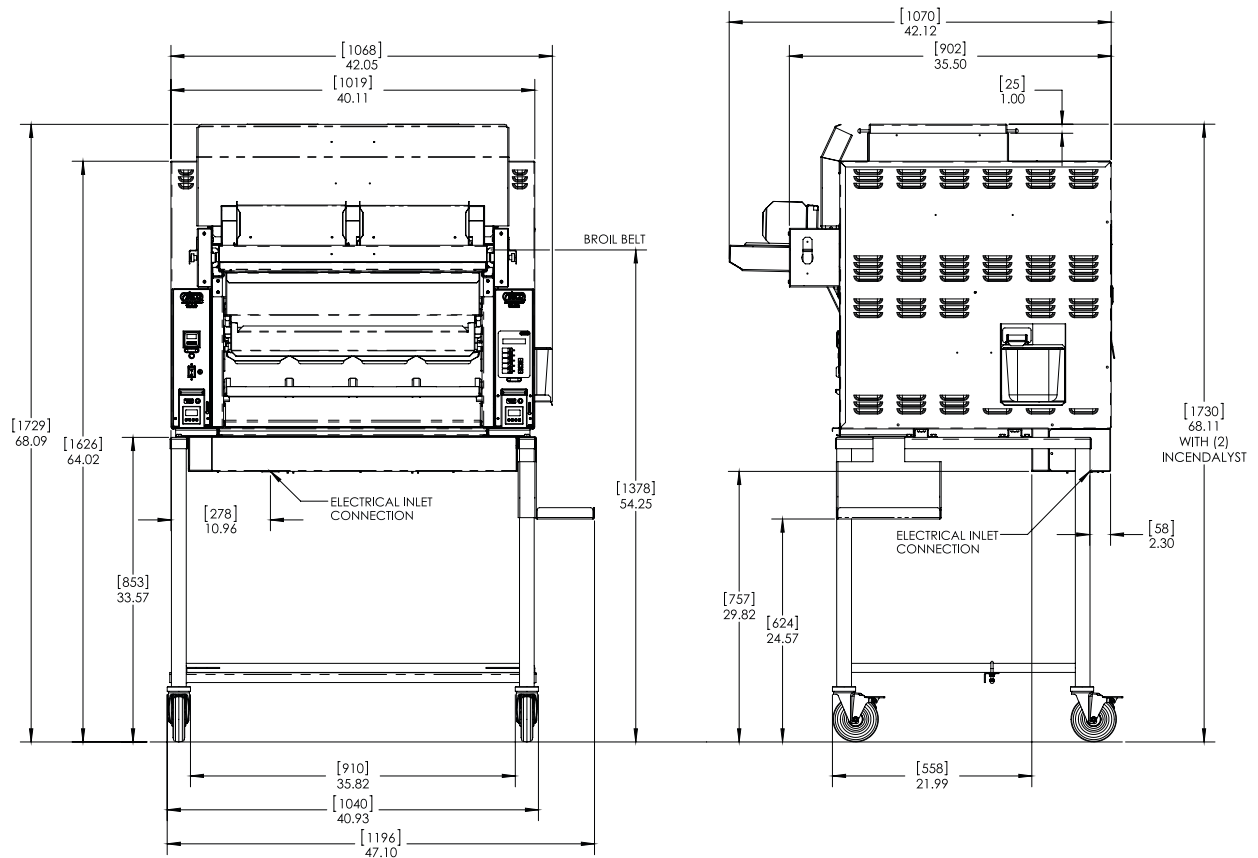
DIMENSIONS

	Inches	mm
Length	42.12	1070
Height	68.11	1730 (with Incendalyst™)
Width	42.05	1068 (with Stand)

ENERGY (FACTORY RATED)

Electric Models:

- Domestic or Export Electric: 200-230V 3Ø, 53A, 50/60Hz
- Export CE Electric: 380-415V, 3Ø 31A or 230V, 3Ø, 53A, 50/60Hz
- Connected: 19kW
- Average Consumption: 16kW



WARRANTY

One year parts, 30 days labor.

All Nieco equipment is backed by a worldwide sales and service network, with local parts inventories and 24 hour emergency service.

Call us today at **800-643-2656** or e-mail us at **sales@nieco.com**