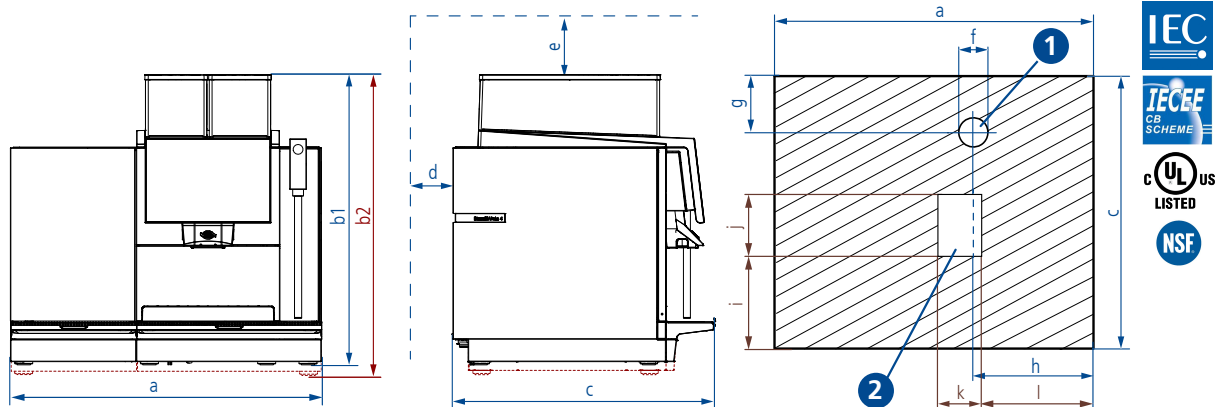


BW4-CTMplus-RL (CE / UL)

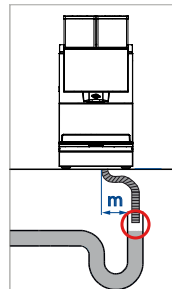


- 1 Hole diameter of 70 mm / 2.75 in for water/milk inlet and water drain. Also possible for power cord. 2 Cut-out for grounds ejection

a	692 mm / 27.24 in	c	600 mm / 23.62 in	f	70 mm / 2.75 in	i	213 mm / 8.38 in
b1	CE: 646 mm / 25.43 in (feet: 57 mm / 2.24 in) or optionally 676 mm / 26.61 in (feet: 87 mm / 3.42 in)	d	50 mm / 1.96 in	g	150 mm / 5.9 in	j	106 mm / 4.17 in
b2	UL: 676 mm / 26.61 in (feet: 87 mm / 3.42 in)	e	350 mm / 13.77 in	h	252 mm / 9.92 in	k	63 mm / 2.48 in
						l	238 mm / 9.37 in

Drain

- m: Distance of machine to drain < 1000 mm / 39.37 in.
- Drain line (hose) not sagging.
- No back pressure in the water line.
- The end of the line not submerged in water.



Machine parameters			Water connection specifications	
Connection / power CE	Machine with single phase (limited performance):	220–240 VAC / 50–60 Hz 3100–3700 W / 16 A	Water supply	3/8"
	Machine with single phase:	220–240 VAC / 50–60 Hz 5800–7100 W / 32 A	Dynamic water pressure	2–4 bar 30–60 psi
	Machine with three phases:	380–415 VAC / 50–60 Hz 5800–7100 W / 3 x 16 A	Water boiler pressure	11.7 bar 169.6 psi
Connection / power UL		208 VAC / 60 Hz 5700 W / 27 A	Steam boiler pressure	2.6 bar 37.7 psi
Outlet height	85–172 mm (manual) / 96–192 mm (automatic) 3.34–6.77 in (manual) / 3.77–7.55 in (automatic)		Chlorine	None
Weight	90 kg / 198.41 lbs		TDS	70–200 ppm
			Total hardness	5–8 °dH / 8–14 °fH
			pH	6.8–7.4
			Alkalinity	<100 ppm <0.
			Iron	25 ppm