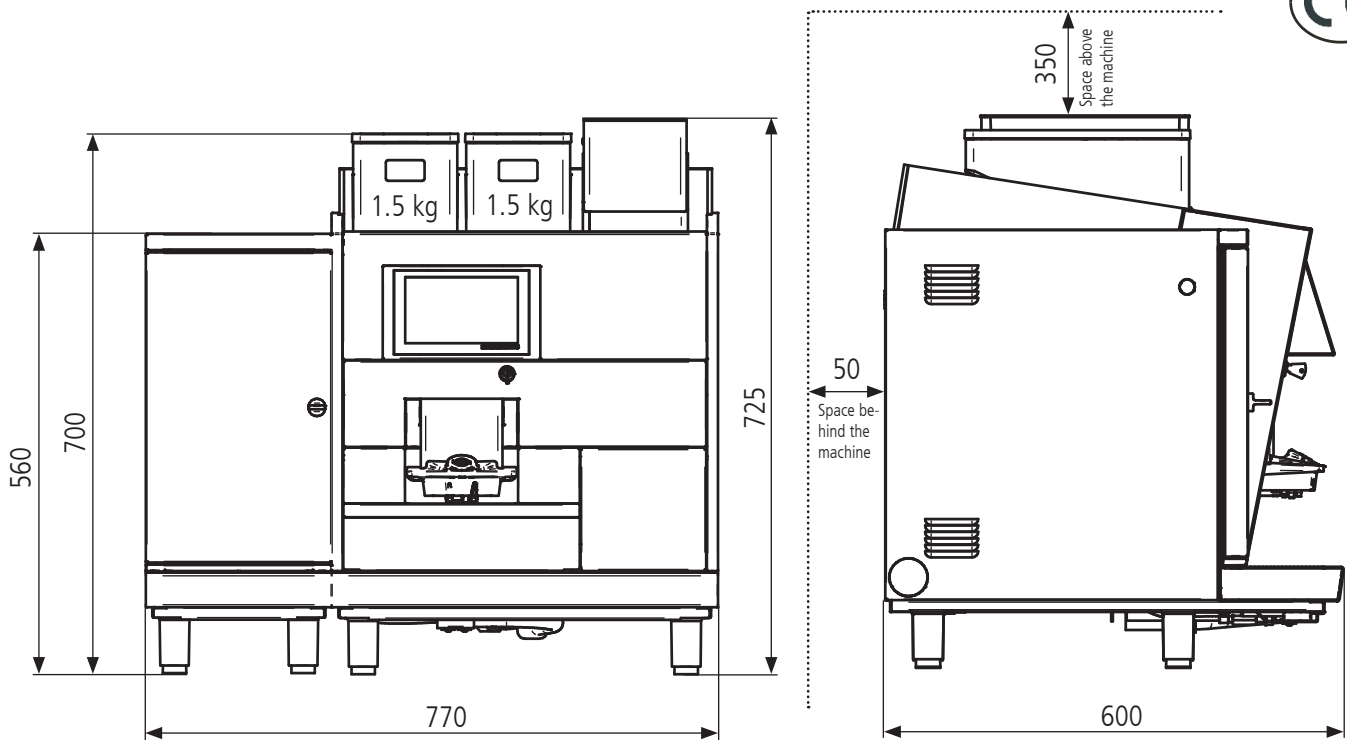


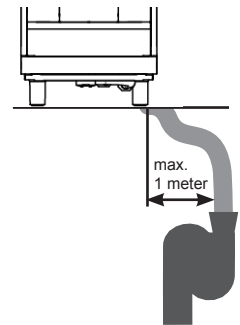
Cut sheet CTMC



Automatic coffee machine Black&White 3 CTMC	
Connections	220-240 VAC 16 A 50/60 Hz Refrigerator: 220-240 VAC 0.3 A 50/60 Hz
Output	3200-3800 W Refrigerator: 72 W
Dimensions	770 x 600 x 725 mm (W / D / H)
Coffee spout height standard	80-173 mm
Weight	95 kg

Drainage

The distance between the drain and the machine must not be more than 1m. Make sure there is no dip or any back pressure in the drain hose. The end of the hose must not be in the water.



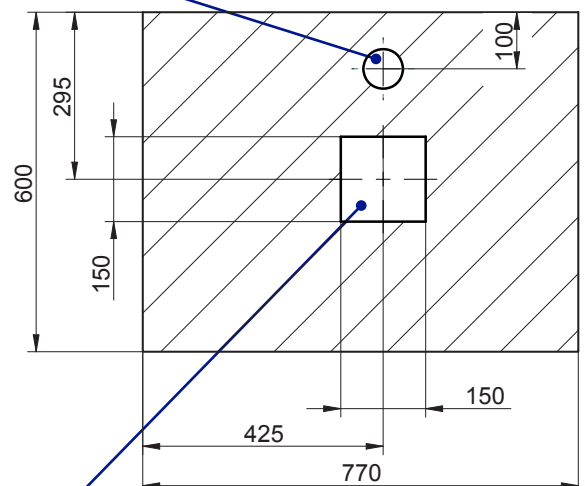
Water connection	3/8"
Water pressure	2-4 bar / 30-60 psi
Chlorine	none
TDS	70-200 ppm
Hardness	5-8 °dH (8-14 °fH)
pH	6.8-7.4
Alkalinity	less than 100 ppm
Iron	less than 0.25 ppm

Conversion table water hardness:

Water hardness	DE	FR	EN	Ppm	Mval/l
1° dH	1.0	1.79	1.25	17.8	0.357
1° fH	0.56	1.0	0.7	10.0	0.2
1° e	0.8	1.43	1.0	14.3	0.86
1° ppm	0.056	0.1	0.07	1.0	0.02
1 mval/l	2.8	5.0	3.5	50.0	1.0

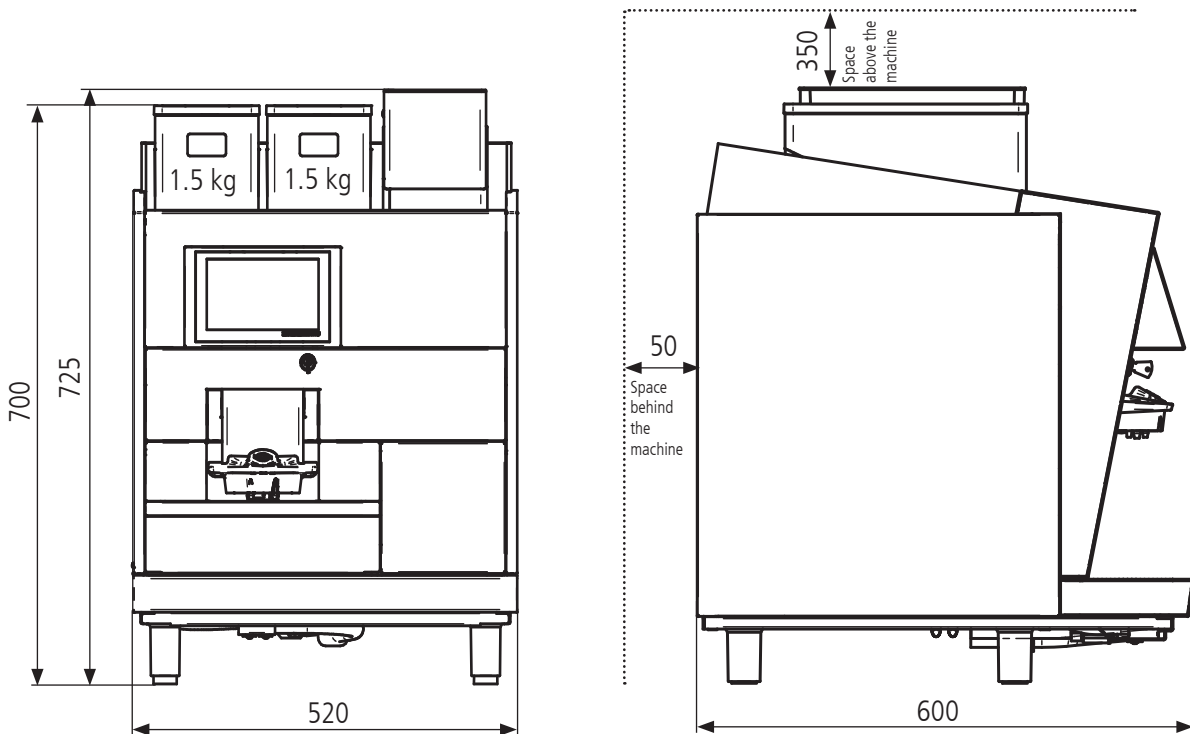
For more information see Technical Manual.

Hole diameter 70mm for water inlet and outlet.
Also possible for electric cords.



Hole 150 x 150mm for coffee grounds drawer.
Special grounds drawer needed.

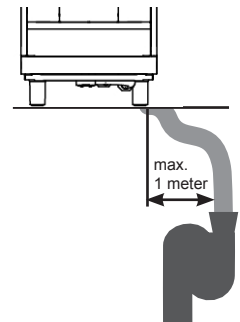
Cut sheet CTMC without refrigerator



Automatic coffee machine Black&White 3 CTMC without refrigerator	
Connections	220-240 VAC 16 A 50/60 Hz
Output	3200-3800 W
Dimensions	520 x 600 x 725 mm (W / D / H)
Coffee spout height standard	80-173 mm
Weight	71.5 kg

Drainage

The distance between the drain and the machine must not be more than 1m. Make sure there is no dip or any back pressure in the drain hose. The end of the hose must not be in the water.



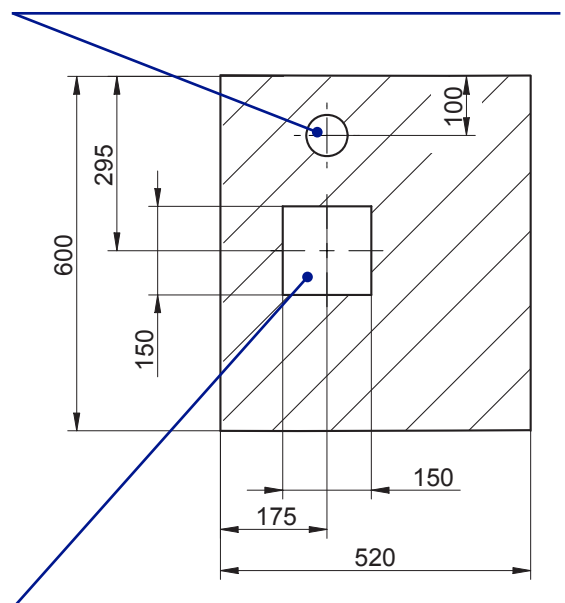
Water connection	3/8"
Water pressure	2-4 bar / 30-60 psi
Chlorine	none
TDS	70-200 ppm
Hardness	5-8 °dH (8-14 °fH)
pH	6.8-7.4
Alkalinity	less than 100 ppm
Iron	less than 0.25 ppm

Conversion table water hardness:

Water hardness	DE	FR	EN	Ppm	Mval/l
1° dH	1.0	1.79	1.25	17.8	0.357
1° fH	0.56	1.0	0.7	10.0	0.2
1° e	0.8	1.43	1.0	14.3	0.86
1° ppm	0.056	0.1	0.07	1.0	0.02
1 mval/l	2.8	5.0	3.5	50.0	1.0

For more information see Technical Manual.

Hole diameter 70mm for water inlet and outlet.
Also possible for electric cords.



Hole 150 x 150mm for coffee grounds drawer.
Special grounds drawer needed.