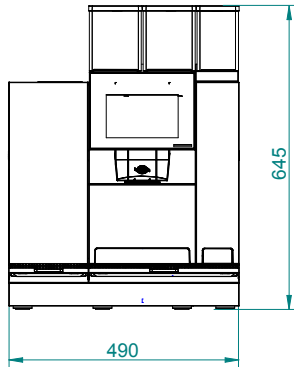
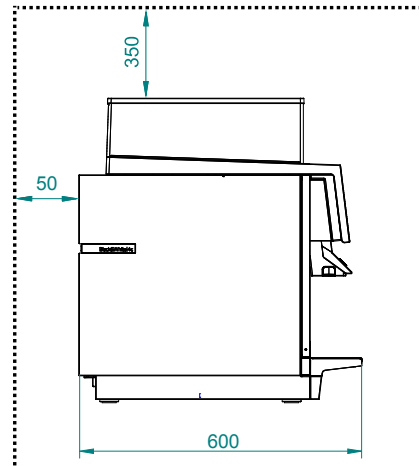


3. Data Sheet Black&White4 compact CTMP-RS

Height / Width (Front View)



Depth (Side View)



Machine parameters

Connections	Coffee machine: 220-240 VAC 12 A* 50/60 Hz Refrigerator: 220-240 VAC 0.75 A 50/60 Hz
Output	2700-3100 W*
Dimensions	490 x 600 x 645 mm (W / D / H)
Coffee spout height standard	85-175 mm
Weight	62 kg*

Water connection parameters

Water connection	3/8"
Water pressure	2-4 bar / 30-60 psi
Chlorine	None
TDS	70-200 ppm
Hardness	5-8 °dH (8-14 °fH)
pH	6.8 bis 7.4
Alkalinity	less than 100 ppm
Iron	less than 0.25 ppm

Conversion table water hardness

Water hardness	DE	FR	EN	Ppm	Mval/l
1° dH	1.0	1.79	1.25	17.8	0.357
1° fH	0.56	1.0	0.7	10.0	0.2
1° e	0.8	1.43	1.0	14.3	0.86
1° ppm	0.056	0.1	0.07	1.0	0.02
1 mval/l	2.8	5.0	3.5	50.0	1.0

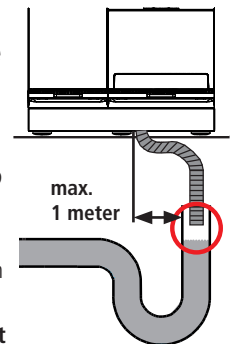
*value to be confirmed

For further details regarding installation check the Technical Manual.

2016-01-22, subject to change

⚠ Drainage

- The distance between the drain and the machine **must not be more than 1 m**.
- Make sure there is **no** dip in the drain hose.
- Make sure there is **no** back pressure in the drain hose.
- The end of the hose **must not** be in the water.



Hole diameter 70mm for water inlet and outlet.
Also possible for electric cords.

