



TRUE EUROPE

Field's End Road, Goldthorpe, Nr. Rotherham, South Yorkshire S63 9EU, UK
 www.truemfg.com • Tel +44 01709 888 080 • Fax +44 01709 880 838
 Free Phone 0 800 783 2049 • Free Phone to U.S. 0 800 894 928



8/16

Model:
TGU-3F

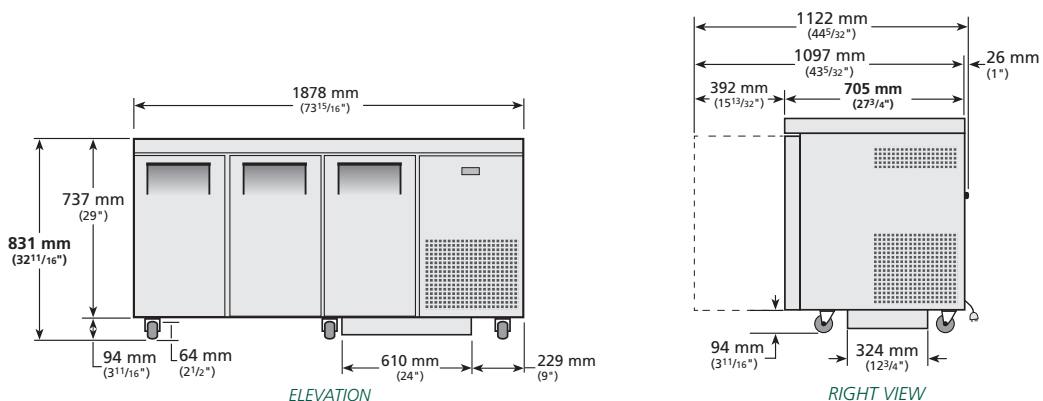
Gastronorm Undercounter:
Solid Door Freezer



TGU-3F

- ▶ True undercounter units are designed with enduring quality that protects your long term investment.
- ▶ Designed using the highest quality materials and components to provide the user with colder product temperatures, lower utility costs, exceptional food safety and the best value in today's food service marketplace.
- ▶ Oversized, environmentally friendly (404A) force-air refrigeration system holds -23.3°C (-10°F).
- ▶ Stainless steel exterior front, top and ends. Matching aluminum finished back.
- ▶ Stainless steel interior and door liners.
- ▶ LED temperature display.
- ▶ Front breathing.
- ▶ 3 sets of $\frac{1}{4}$ gastronorm rails with stainless steel shelves per door section.
- ▶ Foamed-in-place using a high density, polyurethane insulation that has zero ozone depletion potential (ODP) and zero global warming potential (GWP).

PLAN VIEW



ROUGH-IN DATA

Specifications subject to change without notice.
 Chart dimensions rounded up to the next whole millimeter (inches rounded up to the next $\frac{1}{8}$ ").

Model	Doors	Shelves	Cabinet Dimensions (mm)			HP	Voltage	Amps	NEMA Config.	Cord Length (total m)	Crated Weight (kg)
			W	D	H						
TGU-3F	3	9	1880	705	831	$\frac{1}{2}$	230-240/50/1	4.1	▲	2.74	207

▲ Plug type varies by country.