



TRUE EUROPE

UK OFFICE: Field's End Road, Goldthorpe, Nr. Rotherham, South Yorkshire S63 9EU, UK
 Tel +44 01709 888 080 • Fax +44 01709 880 838 • Free Phone 0 800 783 2049
 Free Phone to U.S. 0 800 894 928 • EU OFFICE: Hauptstr. 269 • 79650 Schopfheim • Germany
 Tel +49 07622 6883 0 • Fax +49 07622 6883 499 • www.truemfg.com



8/16

Model:
TUC-24-HC

Undercounter:
Solid Door Refrigerator with Hydrocarbon Refrigerant



TUC-24-HC

- ▶ True's undercounter units are designed with enduring quality that protects your long term investment.
- ▶ Designed using the highest quality materials and components to provide the user with colder product temperatures, lower utility costs, exceptional food safety and the best value in today's food service marketplace.
- ▶ High capacity, factory balanced refrigeration system that maintains cabinet temperatures of 33°F to 38°F (.5°C to 3.3°C) for the best in food preservation.
- ▶ Factory engineered, self-contained, capillary tube system using environmentally friendly R290 hydro carbon refrigerant that has zero (0) ozone depletion potential (ODP), & three (3) global warming potential (GWP).
- ▶ Stainless steel front and countertop. Matching aluminum sides and finished back.
- ▶ Interior - attractive, NSF approved, clear coated aluminum liner. Stainless steel floor with coved corners.
- ▶ Heavy duty PVC coated wire shelves.
- ▶ Foamed-in-place using a high density, polyurethane insulation that has zero ozone depletion potential (ODP) and zero global warming potential (GWP).

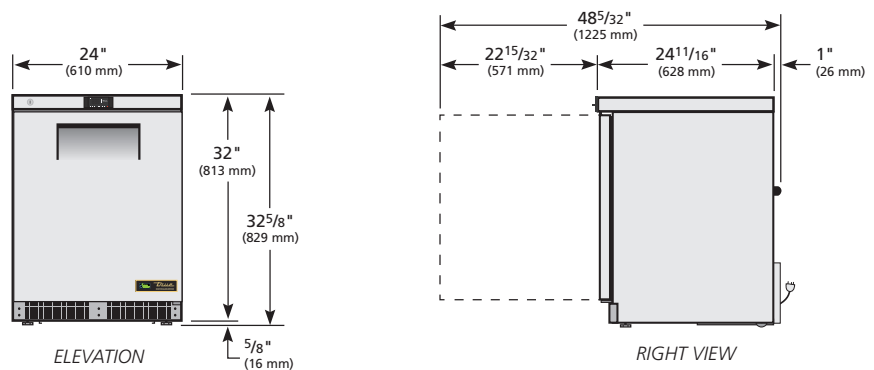
ENERGIA - ENERGIJA - ENERGIJA
 ENERGIJA - ENERGY - ENERGIJA
 ENERGIJA

422 kWh/annum

98 L

30°C-55%

PLAN VIEW



ROUGH-IN DATA

Specifications subject to change without notice.
 Chart dimensions rounded up to the next whole millimeter (inches rounded up to the next 1/8").

Model	Model Type	Doors	Shelves	Cabinet Dimensions (mm)			Net Volume (litres)	EEC	EEI	24 hr/ Energy Consumption (kWh)	Annual Energy Consumption (kWh)	Crated Weight (kg)
				L	D†	H						
TUC-24-HC	Counter Chilled	1	2	610	629	829	98	A	21	1.156	422	71

† Depth does not include 26 mm for rear bumpers.