



TRUE EUROPE

UK OFFICE: Field's End Road, Goldthorpe, Nr. Rotherham, South Yorkshire S63 9EU, UK
 Tel +44 01709 888 080 • Fax +44 01709 880 838 • Free Phone 0 800 783 2049
 Free Phone to U.S. 0 800 894 928 • EU OFFICE: Hauptstr. 269 • 79650 Schopfheim • Germany
 Tel +49 07622 6883 0 • Fax +49 07622 6883 499 • www.truemfg.com



9/16

Model:
TUC-27F-HC

Undercounter:
Solid Door Freezer with Hydrocarbon Refrigerant



TUC-27F-HC

- ▶ True's undercounter units are designed with enduring quality that protects your long term investment.
- ▶ Designed using the highest quality materials and components to provide the user with colder product temperatures, lower utility costs, exceptional food safety and the best value in today's food service marketplace.
- ▶ Factory engineered, self-contained, capillary tube system using environmentally friendly R290 hydro carbon refrigerant that has zero (0) ozone depletion potential (ODP), & three (3) global warming potential (GWP).
- ▶ Energy Efficient, environmentally friendly forced-air refrigeration system holds -10°F (-23.3°C). Ideally suited for both frozen foods and ice cream.
- ▶ All stainless steel front, top and ends. Matching aluminum finished back.
- ▶ Interior - attractive, NSF approved, clear coated aluminum liner. Stainless steel floor with coved corners.
- ▶ Front breathing.
- ▶ Heavy duty PVC coated wire shelves.
- ▶ Automatic defrost system time-initiated, time-terminated.
- ▶ Foamed-in-place using Ecomate. A high density, polyurethane insulation that has zero ozone depletion potential (ODP) and zero global warming potential (GWP).

ENERGIA - ENERGIJA - ENERGIJA
 ENERGIJA - ENERGIJA - ENERGIJA
 ENERGIJA - ENERGIJA - ENERGIJA
 ENERGIJA - ENERGIJA - ENERGIJA

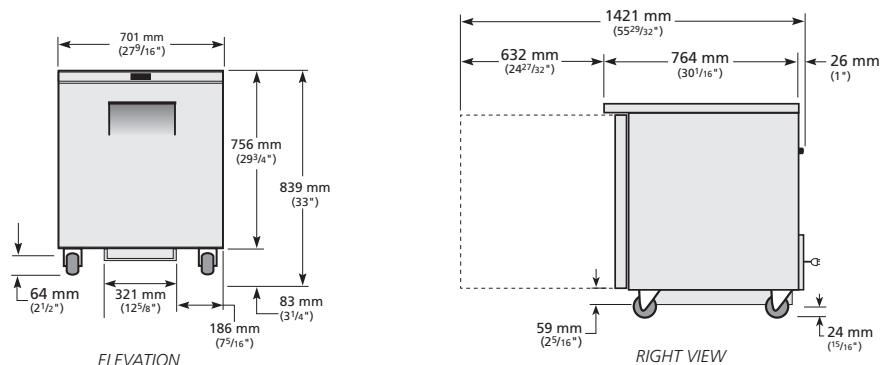
1451 kWh/annum

144 L

4 30°C-55%

2015/1094

PLAN VIEW



ROUGH-IN DATA

Specifications subject to change without notice.
 Chart dimensions rounded up to the next whole millimeter (inches rounded up to the next 1/8").

Model	Model Type	Doors	Shelves	Cabinet Dimensions (mm)			Net Volume (litres)	EEC	EEI	24 hr/ Energy Consumption (kWh)	Annual Energy Consumption (kWh)	Crated Weight (kg)
				L	D	H						
TUC-27F-HC	Counter Frozen	1	2	702	766	839	144	C	45.0	3.975	1451	87

† Depth does not include 1" (26 mm) for rear bumpers.