

VP17A-1 (1 Lower Warmer)

17.3" x 17.7" x 8.5"
(43.9cm x 45.0cm x 21.6cm)

- All stainless steel construction
- Pourover brewer requires no plumbing – completely portable
- SplashGard® funnel deflects hot liquids away from the hand
- Two individually controlled warmers



 Servers and airpots sold separately

Agency:



Specifications

Product #: 13300.0024

Finish: Stainless/Black

Funnel: Black Plastic

Warmers: One Lower

Water Access: Not Plumbed

Additional Features

Electrical & Capacity

Volts	Amps	Watts	Cord Attached	Plug Type	8oz cups/hr 236ml cups/hr	Input H ² O Temp.	Phase	# Wires plus Ground	Hertz
220-240	9.0-9.9	2000-2375	Yes	EURO 16A	93	60°F (15.5°C)	1	2	50/60

Plumbing Requirements

PSI	kPa	Fitting Supplied	Water Flow Required (GPM)
-	-	-	-

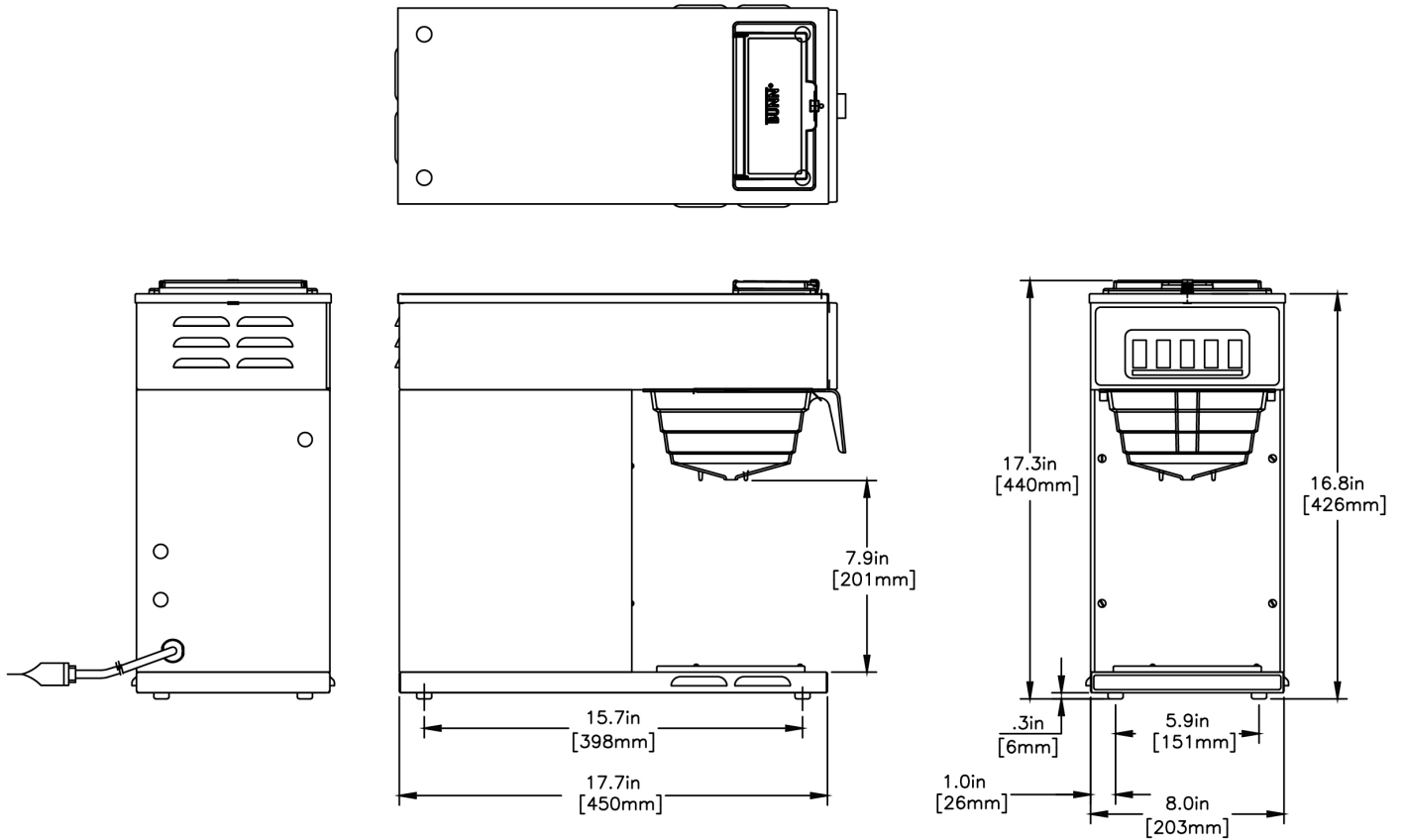
CAD Drawings

2D	Revit	KLC
●		



BUNN® reserves the right to change specifications and product design without notice. Such revisions do not entitle the buyer to corresponding changes, improvements, additions or replacements for previously purchased equipment. For most current specifications and other info visit bunn.com.

Created on:
02/02/2017



Unit			Shipping					
	Width	Height	Depth	Width	Height	Depth	Weight	Volume
English	8.5 in.	17.3 in.	17.7 in.	-	-	-	27.200 lbs	5.440 ft ³
Metric	21.6 cm	43.9 cm	45.0 cm	-	-	-	12.338 kgs	0.154 m ³



BUNN® reserves the right to change specifications and product design without notice. Such revisions do not entitle the buyer to corresponding changes, improvements, additions or replacements for previously purchased equipment. For most current specifications and other info visit bunn.com.

Created on:
02/02/2017

Related Products & Accessories:VP17A-1 (1 Lower Warmer)(13300.0024)

CORD,
POWER-250V10AMP
(OPEN END

Product #: 01716.0000



WX2A, 230V 50/60HZ

Product #: 06310.0006



FILTERS,REGULAR1M
500/2 50/CL

Product #: 20115.0000



BUNN® reserves the right to change specifications and product design without notice. Such revisions do not entitle the buyer to corresponding changes, improvements, additions or replacements for previously purchased equipment. For most current specifications and other info visit bunn.com.

Created on:
02/02/2017

