



Dimensions and weights		
Width		
Including packaging	[mm]	800
Excluding packaging	[mm]	515
Depth		
Including packaging	[mm]	935
Excluding packaging	[mm]	802
Height including oven stand		
Including packaging	[mm]	1750
Excluding packaging	[mm]	1552
Weight including oven stand		
Including packaging	[kg]	125
Excluding packaging	[kg]	109
Weight including CONVOClean system and oven stand		
Including packaging	[kg]	135
Excluding packaging	[kg]	119
Safety clearances		
Rear	[mm]	50
Right	[mm]	50
Left (larger gap recommended for servicing)	[mm]	50
Top (for ventilation)	[mm]	500

Electrical connected load ratings		
3N~ 400V 50/60Hz (3/N/PE)		
Rated power consumption	[kW]	14,1
Convection power	[kW]	2 x 6.8
Motor power	[kW]	2 x 0.25
Rated current	[A]	22,0
Fuse	[A]	25
Recommended conductor cross-section for wires laid uncovered in air up to 5 m in length.		
3~ 200V 50/60Hz (3/PE)		
Rated power consumption	[kW]	14,1
Convection power	[kW]	2 x 6.8
Motor power	[kW]	2 x 0.25
Rated current	[A]	42,1
Fuse	[A]	50
Recommended conductor cross-section for wires laid uncovered in air up to 5 m in length.		
4G6		

Heat output		
Heat output		
Latent heat	[kJ/h]	3700 (1.03 kW)
Sensible heat	[kJ/h]	2370 (0.69 kW)

Water connection		
Water supply (cold only)		
Shut-off device		With EA (verifiable) check valve and dirt filter
Water supply		
Without CONVOClean system		2 x G 3/4", permanent connection recommended
With CONVOClean system		3 x G 3/4", permanent connection recommended
Flow pressure		
Without CONVOClean system	[kPa]	200 - 600 (2 - 6 bar)
With CONVOClean system	[kPa]	300 - 600 (3 - 6 bar)
Water drain		
drain version		permanent connection (recommended) or funnel waste trap
Type	DN	50

Water quality		
water quality for general use		drinking water quality (install water treatment unit if necessary)
Hardness for injection, cleaning		
German degrees of hardness (general hardness: GH)	[°dH]	4 - 7
French degrees of hardness	[TH]	7 - 13
English degrees of hardness	[°e]	5 - 9
International	[ppm]	70 - 125
Chemical	[mmol/l]	0,7 - 1,3
Hardness for condenser		
German degrees of hardness (general hardness: GH)	[°dH]	4 - 20
French degrees of hardness	[TH]	7 - 35
English degrees of hardness	[°e]	5 - 25
International	[ppm]	70 - 360
Chemical	[mmol/l]	0,7 - 3,6
Properties		
temperature (T)	[°C]	max. 40
conductivity	[µS/cm]	min. 20
pH		6,5 - 8,5
Cl ⁻	[mg/l]	max. 100
SO ₄ ²⁻	[mg/l]	max. 150
Fe	[mg/l]	max. 0.1
Carbonate hardness (KH)	[°dH]	Low GH

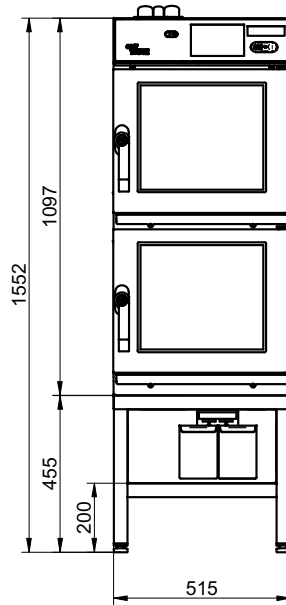
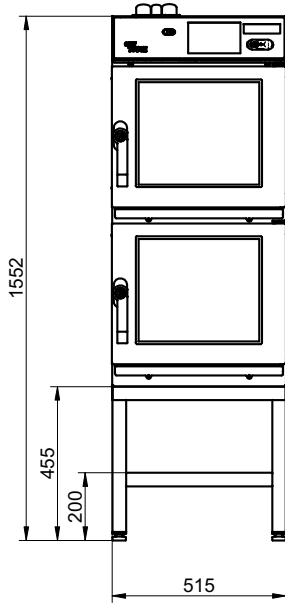
Maximum permissible loading weight		
GN (containers, shelf-grills, baking trays)		
Per combi steamer	[kg]	40 (20 kg in each cooking chamber)
Per shelf	[kg]	5

Capacity		
Quantity		
GN 1/1 depth 40 mm	[Qty]	12
GN 1/1 depth 65 mm	[Qty]	8
Plate up to Ø 26 cm	[Qty]	16

Appliance technical standards		
Degree of protection		IPX4
Approval mark according to national regulations		TÜV/GS, DIN GOST TÜV, SVGW
Noise emission		
Measured	[dBA]	max. 60

Appliance with easyTOUCH controls

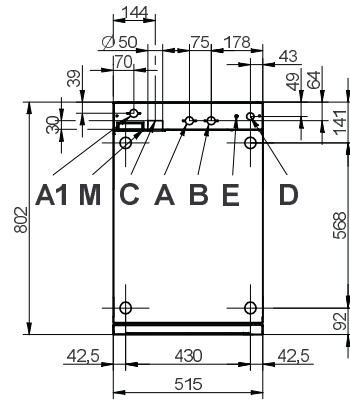
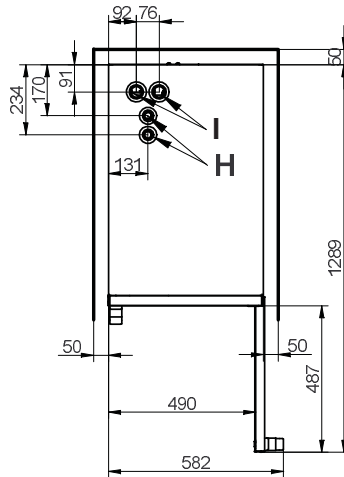
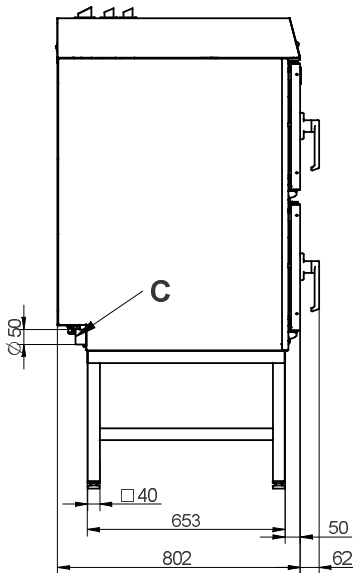
Appliance with CONVOClean system



Side view

View from above with wall clearances

Connections on the underside



Meaning of labeled elements

A	Water connection Soft water G3/4"	C	Drain connection DN 50	H	Air vent
A1	Water connection Cleaning G3/4"	D	Electrical supply	I	Ventilation port
B	Water connection Cold water G3/4"	E	Equipotential bonding	M	Overflow 60 x 20

This document is to be used solely for planning purposes. Please refer to the Installation manual for instructions on installation and positioning.

