

Combi oven

Convotherm maxx pro

BAKE

- 10.10
- 8 Shelves 600x400
- Electric
- Injection/Spritzer
- Right-hinged door



Key features

- Natural Smart Climate™ (ACS+) cooking methods: Steam, Combi-steam, Convection
- Natural Smart Climate™ (ACS+) with extra functions:
 - Crisp&Tasty – 5 moisture-removal settings
 - BakePro – 5 levels of traditional baking
 - HumidityPro – 5 humidity settings
 - Controllable fan – 5 speed settings
- easyTouch 10" TFT HiRes glass touch display (capacitive)
- ConvoClean+ fully automatic cleaning system with eco, regular and express modes – with optional single-dose dispensing
- HygieniCare
- WiFi and Ethernet interface (LAN)
- USB port integrated in the control panel
- TriColor indicator ring – indicates the current operating status
- Steam generated by injecting water into the oven cavity
- LED lighting in the oven cavity
- Appliance door with triple glazing, right-hinged

Standard features

- Cooking methods:
 - Steam (30-130°C) with guaranteed steam saturation
 - Combi-steam (30-250 °C) with automatic moisture control
 - Convection (30-250 °C) with optimized heat transfer
- Operation of easyTouch user interface:
 - 10" TFT HiRes glass touch display (capacitive)
 - Smooth-action, quick-reacting scrolling function
 - Natural Smart Climate™ (ACS+)
- Climate Management
 - Natural Smart Climate™ (ACS+), HumidityPro, Crisp&Tasty
- Quality Management
 - Airflow Management, Preheat and cool down function
 - 35 baking profiles and 14 profiles for Snack&Hot-Food Counter
 - Rise&Ready – 3 cooking profiles integrated in baking cookbook
 - Post baking after end of profile (Time+)
- Production Management
 - Automatic cooking with Press&Go with up to 399 profiles
 - Integrated cookbook with 7 different categories
 - TrayTimer – load management for different products at the same time (manual mode)
 - TrayView – Load management for automatic cooking of different products using Press&Go
 - Favorites management
 - HACCP data storage
 - USB port
 - ecoCooking – energy-save function
 - LT cooking (low-temperature cooking) / Delta-T cooking
 - Cook&Hold – cook and hold in one process
 - Auto Start
 - Regenerate+ – flexible multi-mode rethermalization function with preselect

Standard features

- Cleaning Management:
 - ConvoClean+: Fully automatic cleaning system
 - Quick access to individually created and saved cleaning profiles
 - Cleaning Scheduler
 - FilterCare Interface
- HygieniCare:
 - Hygienic Steam Function
 - Hygienic Handles
 - SteamDisinfect
- Design:
 - Unit door with triple glazing, safety latch, sure-shut function, venting position, right-hinged and LEDs for oven cavity lighting
 - Steam generated by injecting water into the oven cavity
 - Adjustable appliance feet, from 100 mm to 125 mm
 - Multi-point core temperature probe
 - Integrated recoil hand shower



Convotherm maxx pro
BAKE

- 10.10
- 8 Shelves 600x400
- Electric
- Injection/Spritzer
- Right-hinged door


Key features

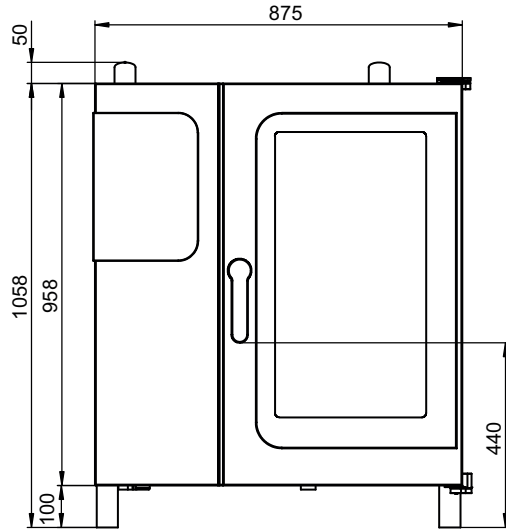
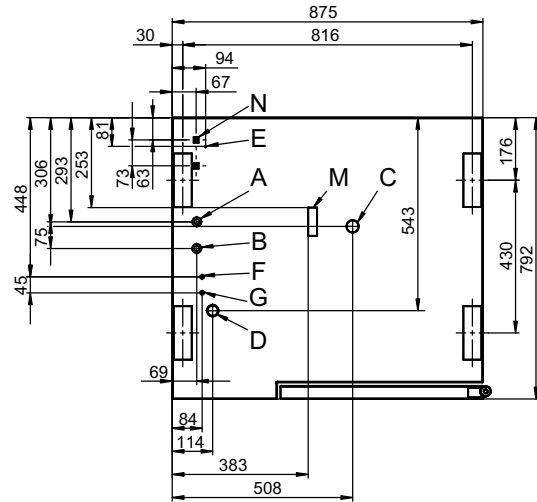
- Natural Smart Climate™ (ACS+) cooking methods: Steam, Combi-steam, Convection
- Natural Smart Climate™ (ACS+) with extra functions:
 - Crisp&Tasty – 5 moisture-removal settings
 - BakePro – 5 levels of traditional baking
 - HumidityPro – 5 humidity settings
 - Controllable fan – 5 speed settings
- easyTouch 10" TFT HiRes glass touch display (capacitive)
- ConvoClean+ fully automatic cleaning system with eco, regular and express modes – with optional single-dose dispensing
- HygieniCare
- WiFi and Ethernet interface (LAN)
- USB port integrated in the control panel
- TriColor indicator ring – indicates the current operating status
- Steam generated by injecting water into the oven cavity
- LED lighting in the oven cavity
- Appliance door with triple glazing, right-hinged

Options

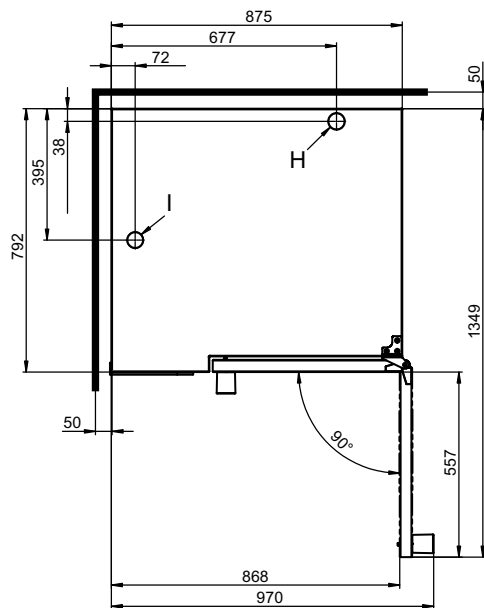
- Disappearing door – more space and greater safety at work (see separate datasheet)
- Quality Management: ConvoSmoke – built-in food-smoking function (HotSmoke)
- ConvoGrill with grease management function (on request)
- Steam and vapour removal – built-in condensation module (on request)
- Prison version
- Available in various voltages
- Sous-vide probe, external connection
- Core temperature probe, external connection

Accessories

- Production Management: kitchenconnect® (WiFi/LAN), network solution from Welbilt for updating and monitoring appliances from anywhere
- ConvoVent 4 condensation hood with grease filter
- ConvoVent 4+ condensation hood with grease and odour filter
- Signal tower – external operating-state indicator
- Stands in various sizes and designs
- Racks, choice of GN or BM versions (BM = standard baking sheet size)
- Stacking kits
- Care products for the ConvoClean+ fully automatic cleaning system (multiple and single-measure dispensing)

Front view

Connection points


- A Water connection (for water injection)
- B Water connection (for cleaning, recoil hand shower)
- C Drain connection DN 50
- D Electrical connection
- E Equipotential bonding
- F Rinse-aid connection
- G Cleaning-agent connection
- H Air vent Ø 50 mm
- I Dry air intake Ø 50 mm
- M Safety overflow 80 x 25 mm
- N RJ45 Ethernet port

View from above with wall clearances

Dimensions and weights

| Dimensions including packaging | |
|---|----------------------|
| Width x Height x Depth | 1100 x 1300 x 940 mm |
| Weight | |
| Empty weight without options* / accessories | 120 kg |
| Weight of packaging | 28 kg |
| Safety clearances** | |
| Rear | 50 mm |
| Right | 50 mm |
| Left (see installation instructions) | 50 mm |
| Top*** | 500 mm |

Installation instructions

| | |
|--|----------------|
| Absolute tilt of unit in operation* | max. 2° (3.5%) |
| Clearance from heat sources | min. 500 mm |
| Recommended clearance for service, left side of unit | min. 500 mm |

* Adjustable feet included as standard.

The combi oven must be set up with 3 sides free to provide access for cleaning. As an alternative, use a 150 mm high foot; on request.

* Weight of options 15 kg max.

** Required for functionality of appliance.

*** Depends on type of air ventilation system and nature of ceiling.

Loading capacity

| | |
|--------------------------------|-------|
| Max. number of food containers | |
| 600 x 400 baking tray | 8 |
| Maximum loading weight | |
| 600 x 400 | |
| Per combi oven | 50 kg |
| Per shelf level | 15 kg |

Electrical supply

| | |
|--|----------|
| 3N~ 400V 50/60Hz* | |
| Rated power consumption | 19.5 kW |
| Rated current | 28.1 A |
| Fuse rating | 32 A |
| RCD (GFCI), single-phase frequency converter | Type A/B |
| Recommended conductor cross-section | 5G6 |
| 3~ 230V 50/60Hz* | |
| Rated power consumption | 19.3 kW |
| Rated current | 48.5 A |
| Fuse rating | 50 A |
| RCD (GFCI), single-phase frequency converter | Type A/B |
| Recommended conductor cross-section | 4G16 |
| 3~ 200V 50/60Hz* | |
| Rated power consumption | 19.3 kW |
| Rated current | 55.8 A |
| Fuse rating | 63 A |
| RCD (GFCI), single-phase frequency converter | Type A/B |
| Recommended conductor cross-section | 4G16 |
| 3~ 400V 50/60Hz* | |
| Rated power consumption | 19.5 kW |
| Rated current | 28.1 A |
| Fuse rating | 35 A |
| RCD (GFCI), three-phase frequency converter | Type B |
| Recommended conductor cross-section | 5G6 |

* Connection to energy optimization system included as standard.

PLEASE NOTE: If the ConvoSmoke option is chosen, the only voltages available are 3~ 230V 50/60Hz and 3N~ 400V 50/60Hz.

Water connection

| | |
|----------------------|--|
| Water supply | |
| Water supply | 2 x G 3/4" fixed connection, optionally including connecting pipe (min. DN13 / 1/2") |
| Flow pressure | 150 - 600 kPa (1.5 - 6 bar) |
| Appliance drain | |
| Drain version | Funnel drain with P-trap (recommended) or fixed connection |
| Type | DN 50 (min. internal Ø: 46 mm) |
| Slope for drain pipe | min. 3.5% (2°) |

Water quality

| | |
|---|--|
| Water-supply connection A* for water injection | |
| General requirements | Drinking water, typically soft water (install water treatment system if necessary) |
| General hardness | 4 - 7 °dh / 70 - 125 ppm / 7 - 13 °TH / 5 - 9 °e |
| Water-supply connection B* for cleaning, recoil hand shower | |
| General requirements | Drinking water, typically hard water |
| General hardness | 4 - 20 °dh / 70 - 360 ppm / 7 - 35 °TH / 5 - 25 °e |
| Water-supply connections A, B* | |
| pH value | 6.5 - 8.5 |
| Cl ⁻ (chloride) | max. 60 mg/l |
| Cl ₂ (free chlorine) | max. 0.2 mg/l |
| SO ₄ ²⁻ (sulphate) | max. 150 mg/l |
| Fe (iron) | max. 0.1 mg/l |
| SiO ₂ (silicate) | max. 13 mg/l |
| NH ₂ Cl (monochloramine) | max. 0.2 mg/l |
| Temperature | max. 40 °C |
| Electrical conductivity | min. 20 µS/cm |

* See diagram of connection points, page 2.

Water consumption

| | |
|-------------------------------|-----------|
| Water-supply connection A* | |
| Ø Consumption for cooking | 4.2 l/h |
| Max. consumption | 0.6 l/min |
| Water-supply connections A, B | |
| Ø Consumption for cooking** | 6.3 l/h |
| Max. water flow rate | 15 l/min |

* Values for selecting the capacity of the water treatment system.

** Including water used for cooling the wastewater.

PLEASE NOTE: See diagram of connection points, page 2.

Emissions

| | |
|-------------------------|---------------------|
| Dissipated heat* | |
| Latent heat | 2900 kJ/h / 0.81 kW |
| Sensible heat | 3600 kJ/h / 1.00 kW |
| Waste water temperature | max. 80 °C |
| Noise during operation | max. 70 dBA |

* The dissipated heat values were measured as per DIN 18873-1 "Methods for measuring the energy use of equipment for commercial kitchens — Part 1". The type and frequency of appliance usage are decisive for the specification of an air conditioning and ventilation system. These values can be higher than the values indicated for dissipated heat. Guide values can be found in the technical literature, e.g. in VDI 2052. Please consult your specialized design engineer for planning an air conditioning and ventilation system.

ACCESSORIES

(Please refer to the Accessories brochure for detailed information)

Stacking kit

| | |
|--|---------------|
| Permitted combination | 6.10 on 10.10 |
| For a combination of two electric appliances | |
| Select "Stacking kit for Convotherm 4 electric appliances" | |
| Combination with foot height / floor distance 100, 150, 300, 350 mm available. | |

ACCESSORIES

Condensation hood ConvoVent 4*

| | |
|--------------------------------|----------------------|
| Electrical supply | |
| Rated voltage | 1N~ 200-240V 50/60Hz |
| Rated power consumption | 130-260 W |
| Rated current | 1.0-1.9 A |
| Fuse rating | 2.5 A |
| Dimensions excluding packaging | |
| Width x Height x Depth | 877 x 240 x 1085 mm |
| Weight excluding packaging | 66 kg |
| Safety clearance above** | 500 mm |

* Condensation hoods specially designed for stacking kits are available.

** Depends on type of air ventilation system and nature of ceiling.

Condensation hood ConvoVent 4+*

| | |
|--------------------------------|----------------------|
| Electrical supply | |
| Rated voltage | 1N~ 200-240V 50/60Hz |
| Rated power consumption | 130-260 W |
| Rated current | 1.0-1.9 A |
| Fuse rating | 2.5 A |
| Dimensions excluding packaging | |
| Width x Height x Depth | 877 x 373 x 1085 mm |
| Weight excluding packaging | 85 kg |
| Safety clearance above** | 500 mm |

* Condensation hoods specially designed for stacking kits are available.

** Depends on type of air ventilation system and nature of ceiling.

Please observe the following points:

- This document is to be used solely for planning purposes.
- Please refer to the Installation manual for further technical data and guidance on installation and positioning.