



# G Series Gas Range Match Broiler

Item: \_\_\_\_\_  
 Quantity: \_\_\_\_\_  
 Project: \_\_\_\_\_  
 Approval: \_\_\_\_\_  
 Date: \_\_\_\_\_

G Series Gas Range Match Broiler

Models:

- G18-BRL     
  G24-BRL     
  G30-BRL     
  G36-BRL     
  G48-BRL



**G24-BRL**  
*With 4" Legs For Counter Mount*

### Standard Features:

- Stainless steel front, sides, front rail, grease hopper and side splash
- Stainless steel low profile backguard
- Counter mount or range matched to Garland G series ranges (when combined with optional stand or cabinet base)
- Exclusive lift off hopper top
- Removable broiling grates in 6" (152mm) wide sections.
- Dual-sided cast iron broiler racks, with 1/2" (13mm) rounded bar (broad) and diamond (fine) patterns on opposite sides, in of 6" (152mm) wide sections.
- Heavy duty ceramic briquettes
- 4" (102mm) sanitary legs for counter mount installations

- Simple set Hi-Lo valves
- Piezo Spark Pilot Ignition
- Gas Pressure Regulator
- 3/4" N.P.T. rear gas connection
- 15,000 BTU cast iron burners for every 6" (152mm) of broiler width.
- Natural or Propane gas, specify when ordering

### Optional Features:

- Diamond branding rack in lieu of standard rack
- Stainless steel splatter guard 18" (457mm) to 48" (1219mm), specify width
- Nickel plated wire type holding shelves which attach to splatter guards, available in 18" (457mm), 24" (610 mm) & 36" (914mm)

Note: Stands and floor bases available see form BRL-STD

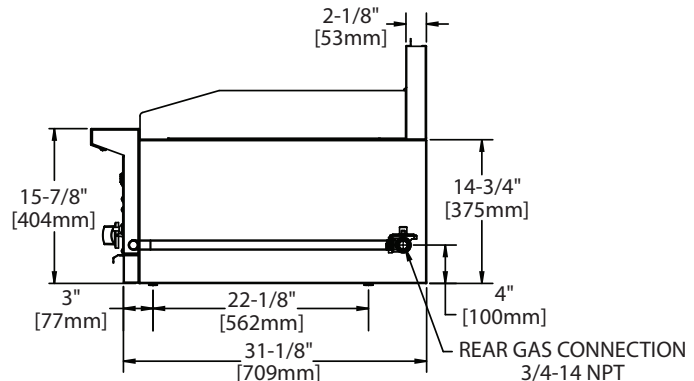
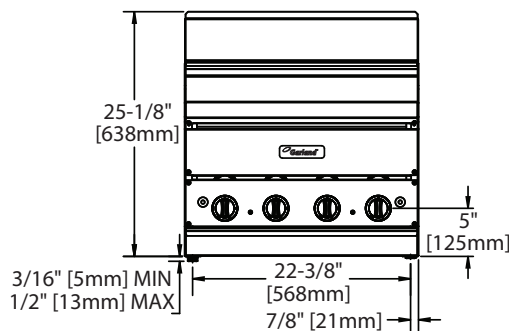
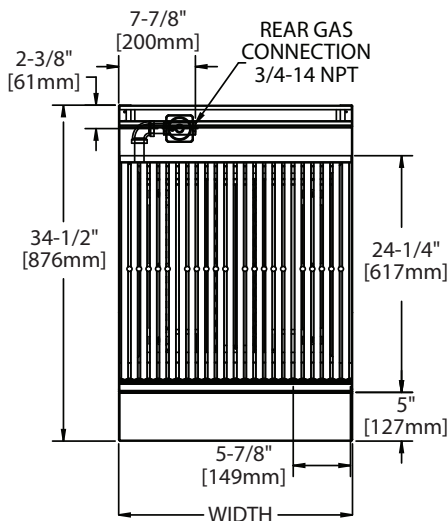
### Specification:

Range match Broilers in available five widths: 18" (457mm), 24" (610mm), 30" (762mm), and 36" (914mm) and 48" (1219mm) , designed to match G series ranges. Standard finish stainless steel front, sides and backguard. Exclusive lift off stainless steel grease hopper. Cast iron broiler racks with 1/2" (13mm) round bar broad banding on one side and fine diamond branding pattern on reverse in 6" (152mm) wide sections. In lieu of standard broiler racks dual diamond pattern steel racks are available. Simple set Hi-Lo valve sare located away from heat and protected. 15,000 BTU cast iron burners for every 6" (152mm) of broiling space, natural or propane gas. Optional cabinet BRL-CAB or open frame stand BRL-STD see specification form BRL-STD.



MODEL	Exterior Dimensions			Total Input Rating (Natural Gas)		Shipping	
	Height w/O Legs	Width	Depth	BTU	kW	Cu Ft	lb/Kg
G18-BRL	25-1/8" (638mm)	18" (457mm)	34-1/2" (876mm)	45,000	13.2	21	190/86
G24-BRL	25-1/8" (638mm)	24" (610mm)	34-1/2" (876mm)	60,000	17.6	21	240/109
G30-BRL	25-1/8" (638mm)	30" (762mm)	34-1/2" (876mm)	75,000	22	29.5	290/131
G36-BRL	25-1/8" (638mm)	36" (914mm)	34-1/2" (876mm)	90,000	26.4	29.5	340/154
G48-BRL	25-1/8" (638mm)	48" (1219mm)	34-1/2" (876mm)	120,000	35.2	37	375/170

MODEL	Installation Clearances Noncombustible Surfaces Only		Manifold Operating Pressure "wc/mbar		Gas Inlet
	Sides	Rear	Natural	Propane	
All Models	0"	0"	4.5/11	10/24.9	3/4"



Garland products are not approved or authorized for home or residential use, but are intended for commercial applications only. Garland will not provide service, warranty, maintenance or support of any kind other than in commercial applications.

When ordering specify gas type, natural or propane and elevation if over 2,000 ft (610m).

Form# G-BRL (07/28/11)