



Item: _____
 Quantity: _____
 Project: _____
 Approval: _____
 Date: _____

Induction Green Heat
 Garland Induction Dual Base-Line 7kW and 10kW

Induction Green Heat

Garland Induction Dual Base-Line 7kW and 10kW

Models:

- GI-SH/DU/BA 7000 GI-SH/DU/BA 10000



Induction Benefits:

- Energy Efficient
- Fast Heat
- Precise Cooking
- Easy To Clean
- No Pan, No Heat.
- Cool Operations
- Boil Dry Protection

Standard Features:

- Compact table top design with stainless steel body and high impact ceramic glass top
- Sloped, easy to see front panel with adjustable control for easy operation
- Integral cooling fan keeps electronics cool, discharging from rear with protective air deflectors preventing hot exhaust to be pulled back into unit
- Removable, reusable easy to clean air intake filter
- 6' (1829mm) cord and plug supplied (60 cycle units only)
- "Flat Design", compact high performance electronics allow for low unit heights
- Instant energy transmission to the pan
- Available in either 7kW or 10kW
- Multi sensors monitor over-heat situations and shut the unit off to prevent damage from pans cooking dry
- Induction technology transfers heat to the pan, not to the surrounding air, allowing for cool operation
- Innovated new technology for pan detection; RTCSmp is an internal control software development matching speed, capability and performance.
 - R – Real Time
 - T – Temperature
 - C – Control
 - S – System
 - m – Multi
 - p – Point
- Electronic output limitation continually monitors the energy transfer to the pan, helping to ensure the most efficient energy transfer possible and the use of a variety of pan compositions.

Specifications:

Shall be a Garland Induction slim hob dual base-line GI-SH/DU/BA 7000 with a total kW rating of 7 kW or model GI-SH/DU/BA 10000 with a total kW rating of 10 kW. Built with a robust stainless steel exterior with a Ceran glass work top. Compact powerful electronic system for years of reliable service. Overheat sensors prevent damage of the unit if pan is run dry. Easy to operate rotary switch with 1 to 12 scale. Unit to come with integral cord and plug for 208V (specify at time of order), 60 Hz, 3 phase for North America.

Note: Induction cooking requires "Induction Ready" pans to operate.

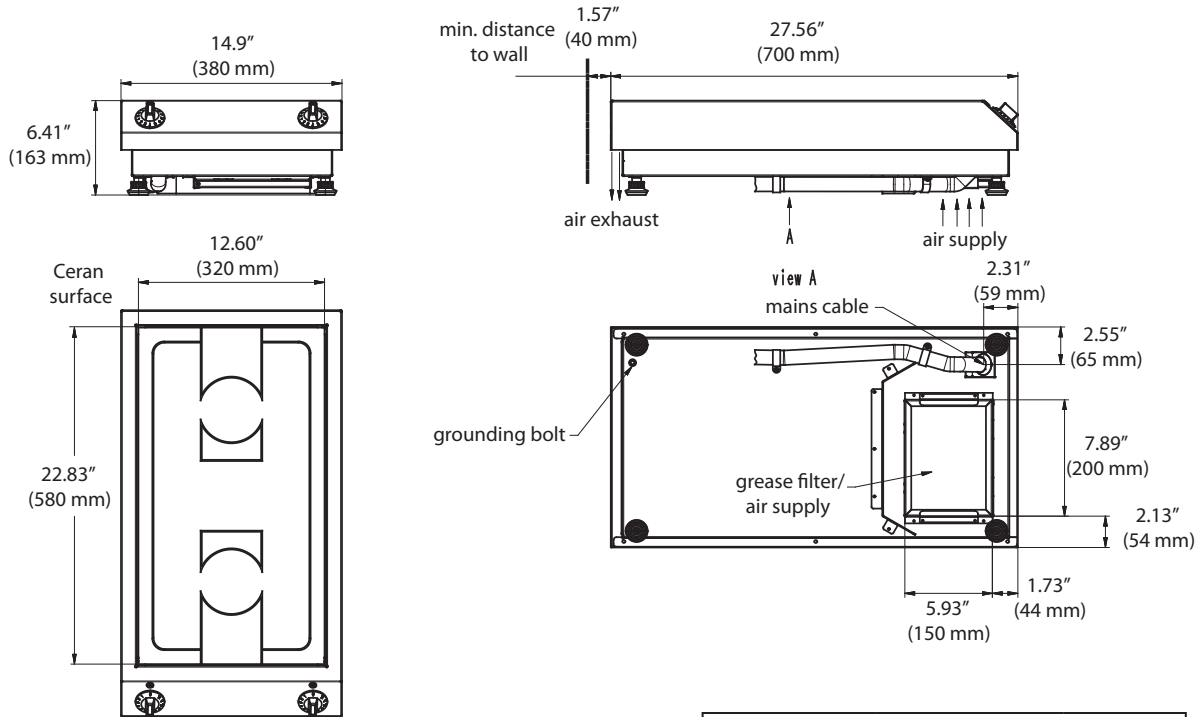


CE models comply with the latest European Norms: EN 60335-1, EN 60335-2-36, EN 62233 (EMC/EMV)

North American models:
 ETL listed in compliance with
 UL 197, CSA C22.2 No.109, NSF-4
 Complies with FCC part 18, ICES-001



RTCSmp Dual Base-Line 7000/10000



Options & Accessories:

- Extra replacement air intake filter stock SKU# 71000003 (available as a replacement part through your local authorized parts & service depot)

Garland/U.S. Range products are not approved or authorized for home or residential use, but are intended for commercial applications only. Garland / U.S. Range will not provide service, warranty, maintenance or support of any kind other than in commercial applications.

Electrical Loading				
Model	Watts	208/60/3	400/50/3	440/50/3
GI-SH/DU/BA 7000	7000	22 amp	11 amp	10 amp

Electrical Loading				
Model	Watts	208/60/3	400/50/3	440/50/3
GI-SH/DU/BA 10000	10000	30 amp	16 amp	15 amp

Plug Configurations		
Model	Electrical Characteristics	Plug
GI-SH/DU/BA 7000	208V/60Hz/3Ø	NEMA 15-30P
	400V/50Hz/3Ø	EU 5-Pole
	440V/50Hz/3Ø	Plug not included
GI-SH/DU/BA 10000	208V/60Hz/3Ø	NEMA 15-30P
	400V/50Hz/3Ø	EU 5-Pole
	440V/50Hz/3Ø	Plug not included

Form# GI-SH/DU/BA 7000/10000 (03/20/14)